

## COVERSHEET

### Planned document changes:

**Briefly:**

No planned changes.

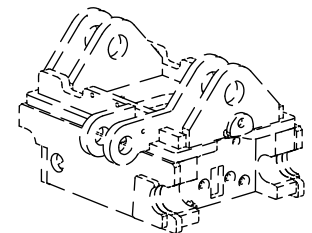
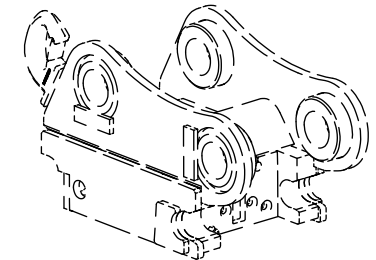
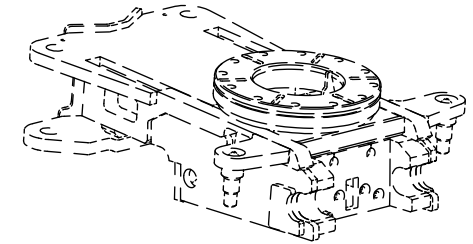
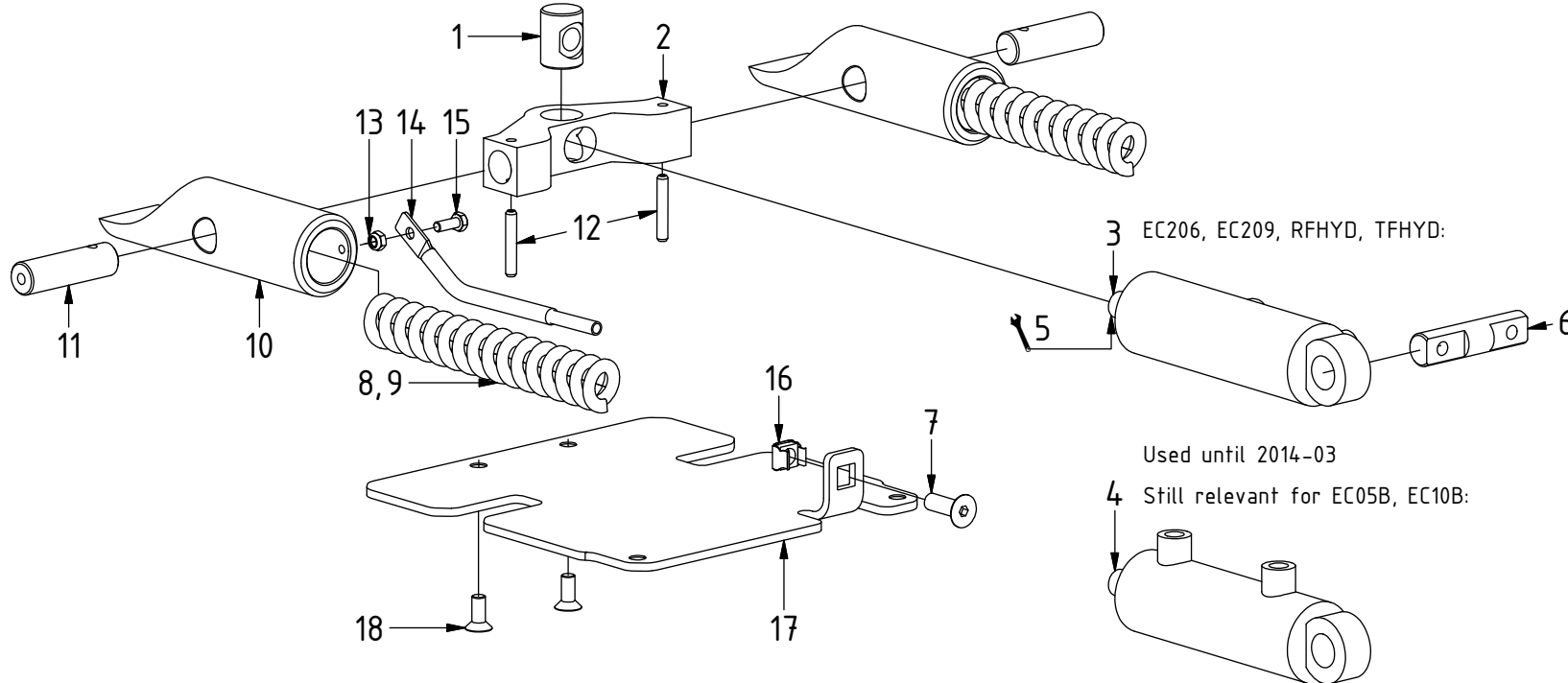
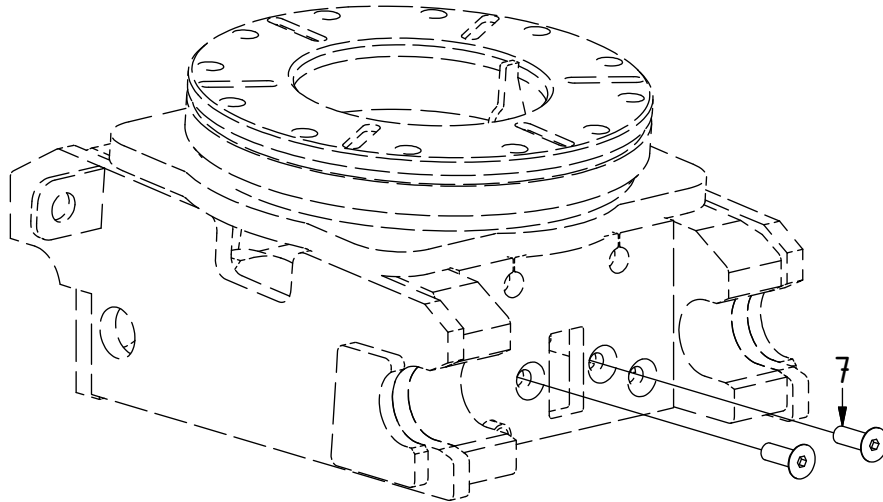
### Document changes:

Date:	Change:	Rev. after change:
2021-05-31	Springs added. Coversheet added.	A

# Hydrema - Std components

EC206, EC209, EC05B, EC10B, RFHYD, TFHYD

POS	DESCRIPTION	PART	QTY	COMMENTS
1	Lock pin	400449	1	
2	Lock yoke	301450	1	
3	Lock cylinder Hydrema rotated ear	1023840	1	
4	Lock cylinder Hydrema	301448	1	Used until 2014-03 Still relevant for EC05B, EC10B
5	Loctite, fasten to POS.1			
6	Lock Axle	402537	1	
7	Flat head socket screw 10x30	610635	3	
8	Spring 32x203 Blue	640101	2	Std spring
9	Spring $\varnothing$ 32/16-203 Red	640103	2	For single-acting hydraulics
10	Lock Wedge	302717	2	
11	Pin lock yoke	401834	2	
12	Spring rod FRP 6x40	650400	2	
13	Hex Nut M6 Nylon Lock	610921	1	
14	Indicator Pin	405330	1	
15	Hex Head Screw 6x16	610109	1	
16	Cage Nut M10	610957	1	
17	Cover plate	1013795	1	
18	Flat head socket screw 8x20	610634	2	



3 EC206, EC209, RFHYD, TFHYD:

Used until 2014-03  
4 Still relevant for EC05B, EC10B:

POS in order of assembly