

## COVERSHEET

### Planned document changes:

**Briefly:**

---

No planned changes.

### Document changes:

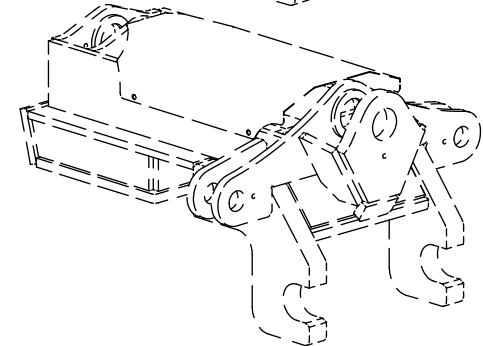
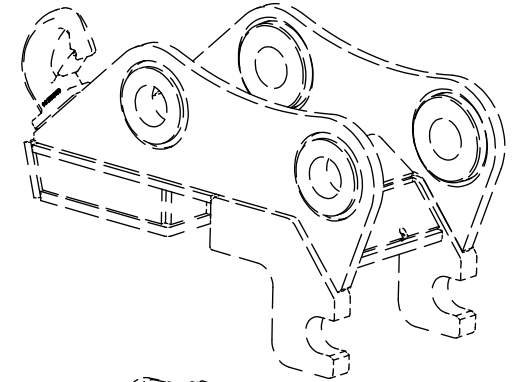
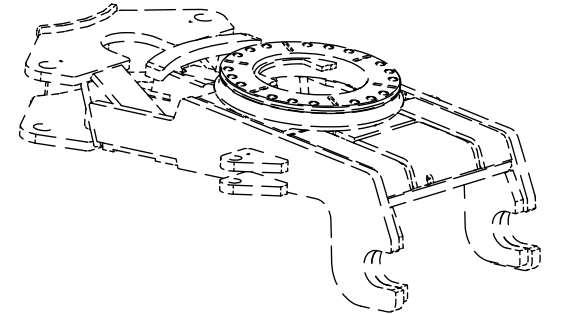
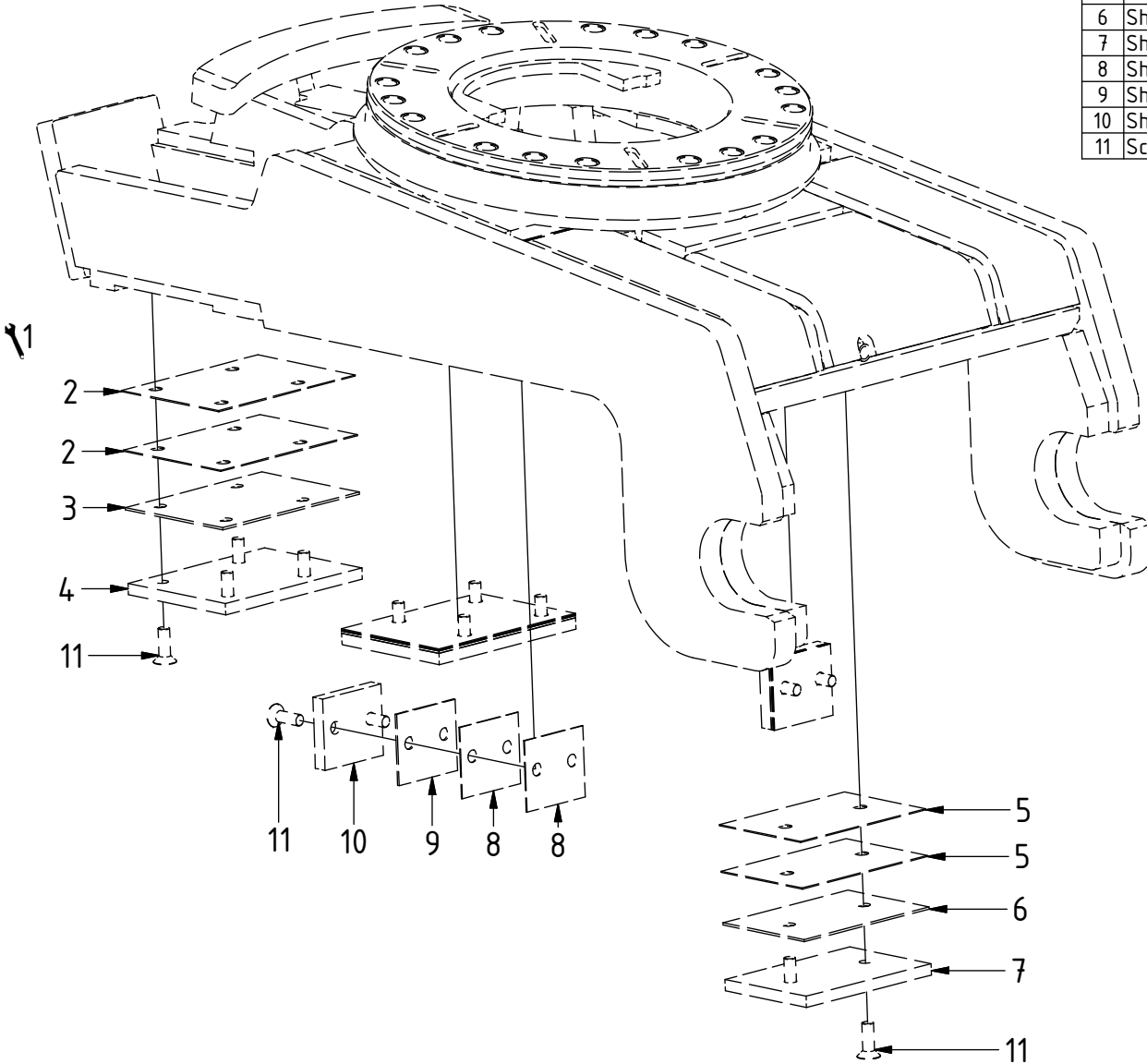
<b>Date:</b>	<b>Change:</b>	<b>Rev. after change:</b>
2019-10-18	NTP30 added.	B
2018-05-30	Coversheet & EC233 added.	A

# S2, NTP30 - Std components

EC226, EC233, EC30, RFS2, TFS2, EC20, EC26

POS	DESCRIPTION	PART	QTY	COMMENTS
1	Preassembled on EC hitch			(POS.2-11 included)
2	Shims large 1mm	400530	4	
3	Shims large 2mm	400531	2	
4	Shims large	400512	2	
5	Shims small 1mm	400532	2	
6	Shims small 2mm	400533	1	
7	Shims small	400513	1	
8	Shims S2/27 1mm	1000886	4	
9	Shims S2/27 2mm	1003002	2	
10	Shims supporting heel S2/27	1000883	2	
11	Screw MF6S 10x30	610635	14	

POS in order of assembly



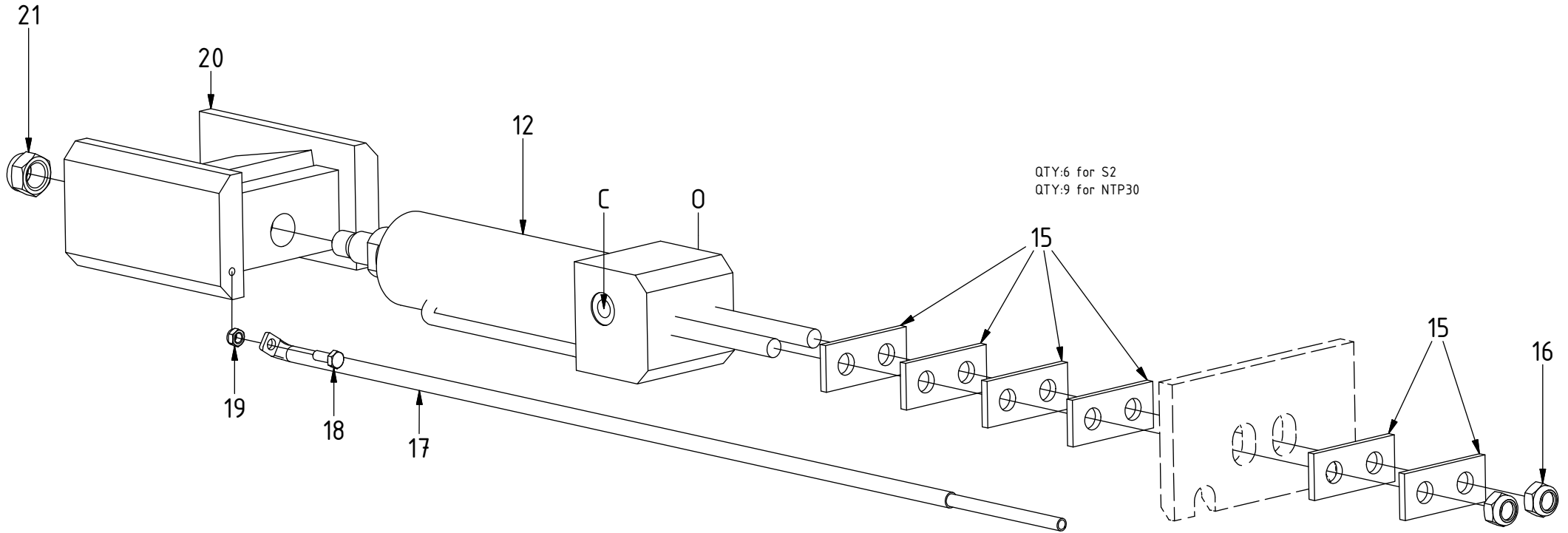
# S2, NTP30 - Std components

EC226, EC233, EC30, RFS2, TFS2, EC20, EC26

EC233, EC30, RFS2, TFS2

POS	DESCRIPTION	PART	QTY	COMMENTS
12	Lock cylinder S2/27	402503K	1	
15	Washer Lock cylinder	400155	6	QTY:3 for EC226, EC26, EC20 QTY:9 for NTP30 (5 to cyl. 4 to nuts)
16	Lock nut M12 Nylon Lock	610924	2	Assemble with slight play
17	Indicator pin S2 & 27	402677	1	Assemble with slight play
18	Screw M6S 6x16	610109	1	Loctite 2700 to POS.20
19	Lock nut M6 Nylon Lock	610921	1	
20	Lock wedge S2 & 27	302815	1	
21	Lock nut M16 Nylon Lock	610926	1	

POS in order of assembly



# S2, NTP30 - Std components

EC226, EC26, EC20

EC226, EC233, EC30, RFS2, TFS2, EC20, EC26

POS	DESCRIPTION	PART	QTY	COMMENTS
13	Lock cylinder EC226/EC20	400651K	1	Loctite 2700 to POS.14
14	Piston extender	404794	1	
15	Washer Lock cylinder	400155	6	QTY:3 for EC226, EC26, EC20 QTY:9 for NTP30 (5 to cyl. 4 to nuts)
16	Lock nut M12 Nylon Lock	610924	2	Assemble with slight play
17	Indicator pin S2 & 27	402677	1	Assemble with slight play
18	Screw M6S 6x16	610109	1	Loctite 2700 to POS.20
19	Lock nut M6 Nylon Lock	610921	1	
20	Lock wedge S2 & 27	302815	1	
21	Lock nut M16 Nylon Lock	610926	1	

POS in order of assembly

