

COVERSHEET

Planned document changes:

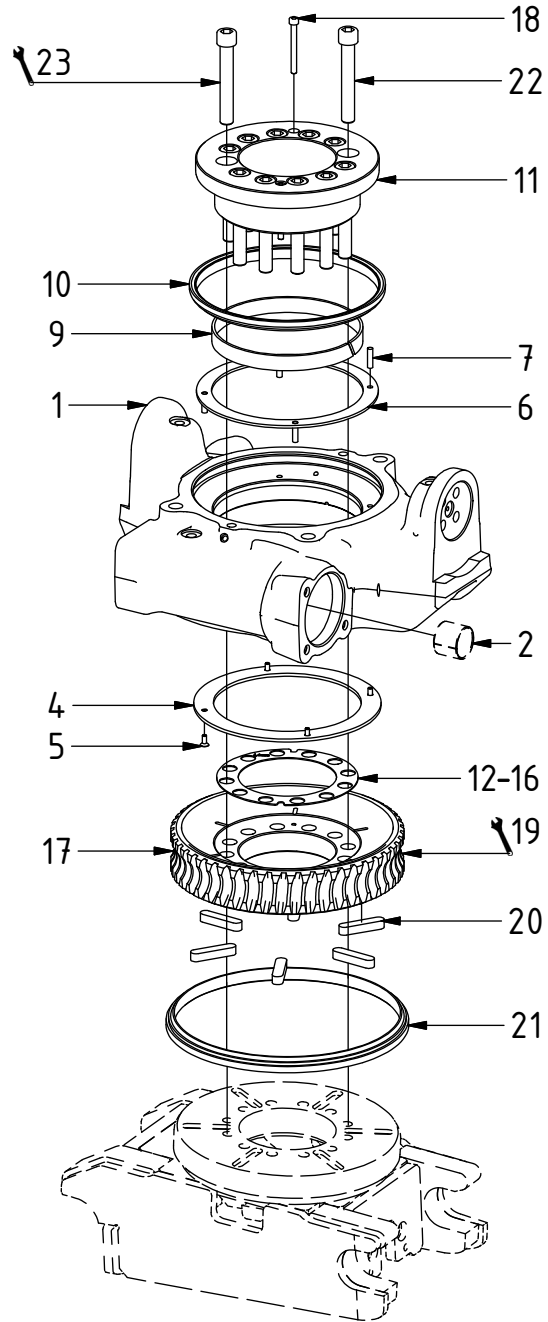
Briefly:

No planned changes.

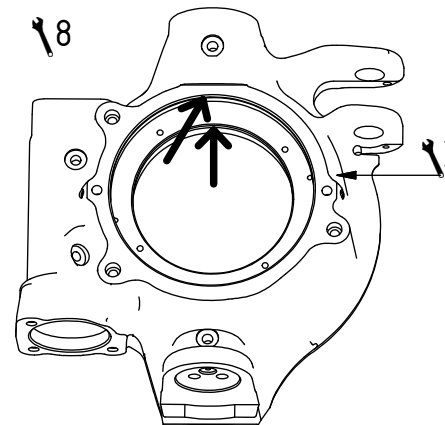
Document changes:

Date:	Change:	Rev. after change:
2021-01-14	Screws updated to ZFSHL.	H
2020-01-10	Silicone to valve block added.	G
2019-10-30	Partslist corrected.	F
2019-05-10	Layout/irrelevant.	E
2018-09-27	Missing loctite info added.	D
2018-04-16	Layout/irrelevant.	C
2018-02-06	Added Mounting block for EC204 Without Swivel.	B
2018-01-19	Replaced rotator frame. Coversheet added.	A

EC204 - Rotator frame

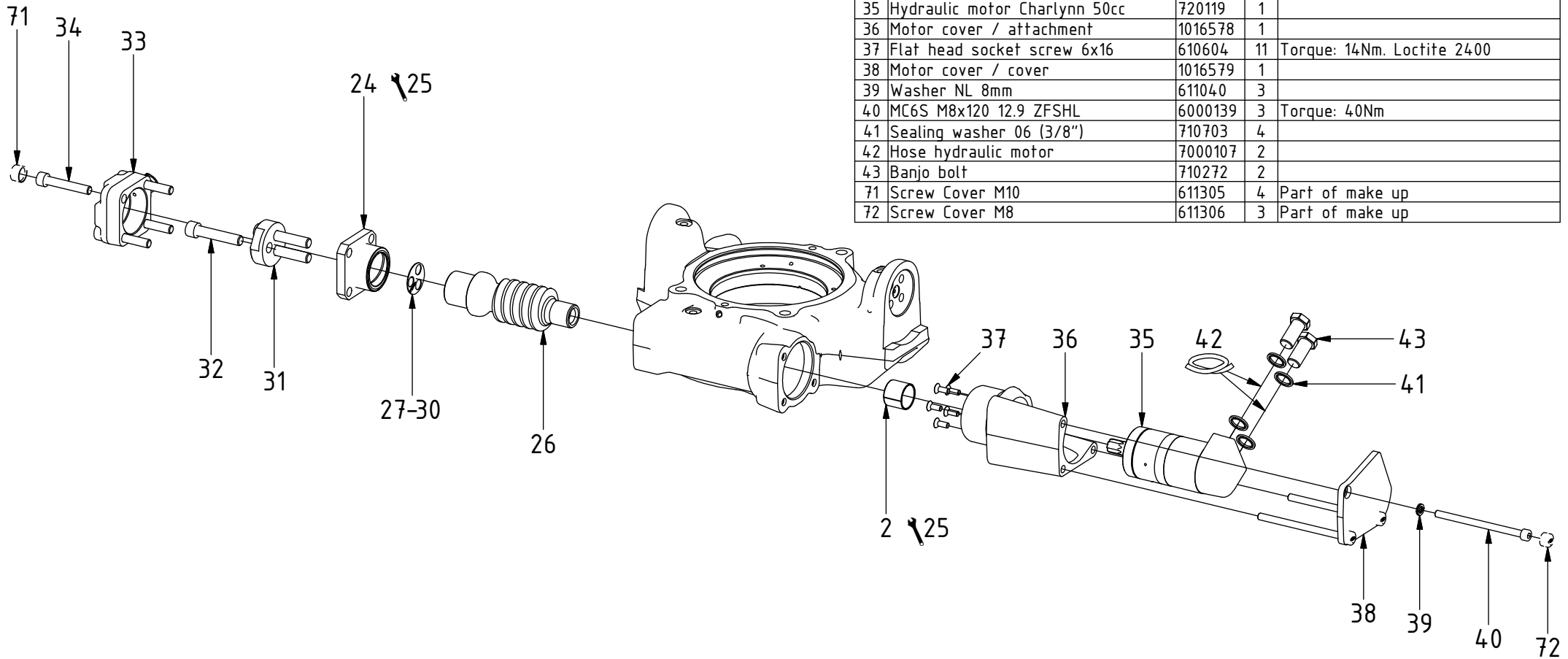


POS	DESCRIPTION	PART	QTY	COMMENTS
1	Rotator frame EC204	1041830	1	(POS.2 included)
2	Bushing 28/30x25	630004	1	
3	Punch serial number into rotator frame			
4	Wear washer	1027496	1	
5	Flat head socket screw 4x10	610605	4	
6	Wear ring	1027495	1	
7	Slotted pin S5x20	640407	4	Must not exceed Wear ring surface
8	Grease Guide belt and Wiper seal where they connect to rotator frame			
9	Guide belt	712426	1	
10	Wiper seal (centre ring)	712427	1	
11	Centre ring	1016565	1	
12	Shims Centre ring 0,5mm	1031296	1	Used if required
13	Shims Centre ring 0,6mm	1031297	1	Used if required
14	Shims Centre ring 0,7mm	1031298	1	Used if required
15	Shims Centre ring 0,8mm	1031299	1	Used if required
16	Shims Centre ring 1,0mm	1031300	1	Used if required
17	Worm wheel	1016564	1	
18	MC6S M5x50 12.9	610407	2	
19	Check break play: 0,01mm-0,15mm Check rotation play: 0,01mm-0,10mm			Make sure worm wheel rotates easily
20	Feather Key	650101	6	
21	Wiper seal (quick hitch)	712428	1	
22	MC6S M12x80 12.9 ZFSHL	6000148	12	Torque: 136Nm
23	Torque tighten rotator frame to quick hitch, twelve holes			

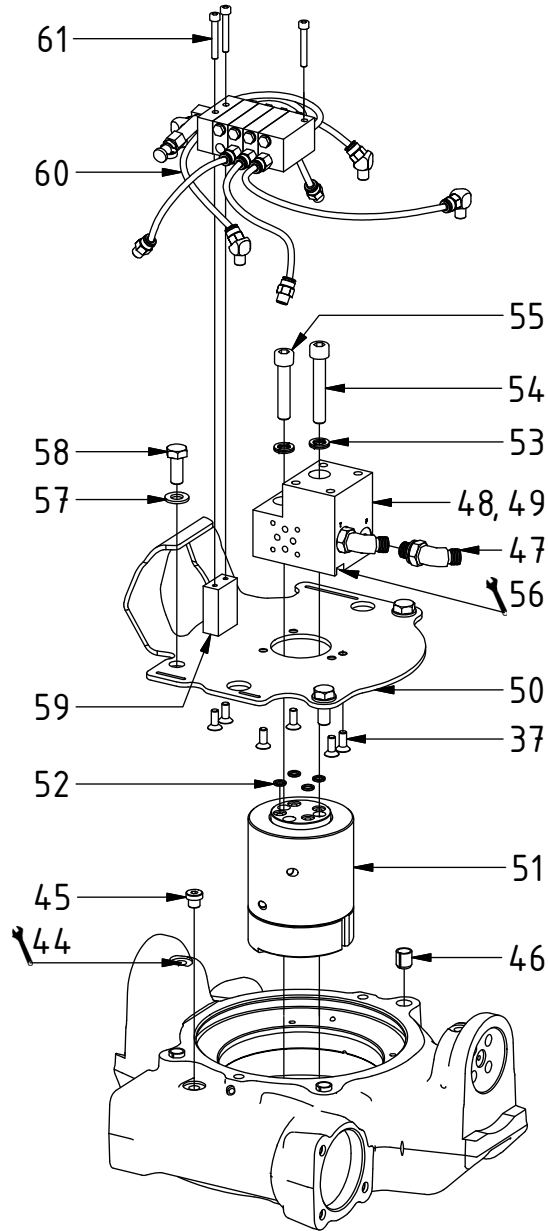


EC204 - Rotator frame

POS	DESCRIPTION	PART	QTY	COMMENTS
2	Bushing 28/30x25	630004	1	
24	Screw bushing	1027319	1	
25	Grease Screw bushing and Bushing generously			
26	Worm Screw	202898	1	
27	Shims Worm screw 0,5mm	405218	1	Used if required
28	Shims Worm screw 0,6mm	405219	1	Used if required
29	Shims Worm screw 0,7mm	405220	1	Used if required
30	Shims Worm screw 0,8mm	405217	1	Used if required
31	Washer Worm screw	405234	1	
32	MC6S M12x60 12.9 ZFSL	6000140	11	Torque: 136Nm
33	End Lock	1027476	1	
34	MC6S M10x60 12.9 Geomet	611503	4	Torque: 79Nm
35	Hydraulic motor Charlynn 50cc	720119	1	
36	Motor cover / attachment	1016578	1	
37	Flat head socket screw 6x16	610604	11	Torque: 14Nm. Loctite 2400
38	Motor cover / cover	1016579	1	
39	Washer NL 8mm	611040	3	
40	MC6S M8x120 12.9 ZFSL	6000139	3	Torque: 40Nm
41	Sealing washer 06 (3/8")	710703	4	
42	Hose hydraulic motor	7000107	2	
43	Banjo bolt	710272	2	
71	Screw Cover M10	611305	4	Part of make up
72	Screw Cover M8	611306	3	Part of make up



EC204 - Rotator frame



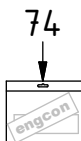
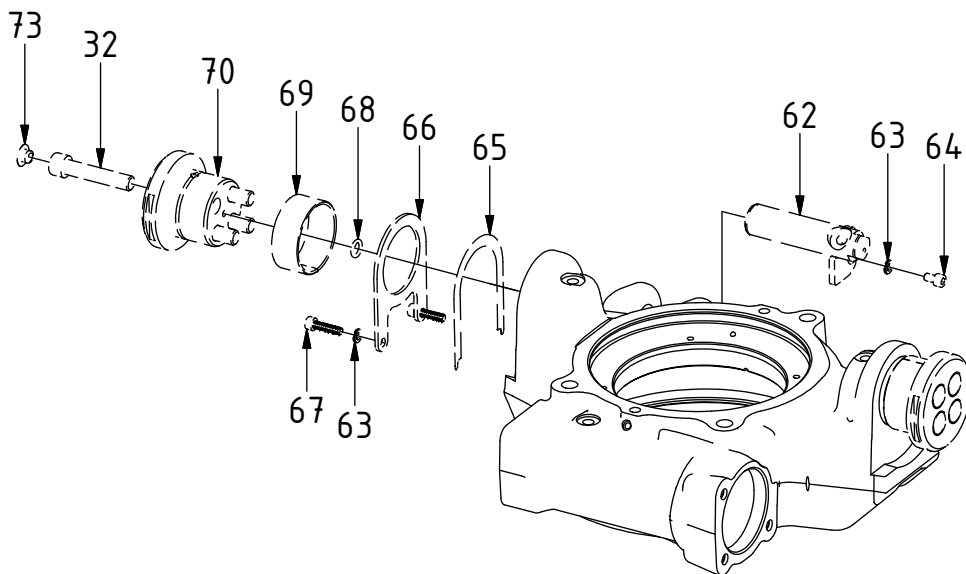
POS	DESCRIPTION	PART	QTY	COMMENTS
37	Flat head socket screw 6x16	610604	11	Torque: 14Nm. Loctite 2400
44	Begin lubrication assembly			See "Central lubrication"
45	Plug Bsp 1/8"	711503	1	
46	Spring rod 13x14	640414	3	
47	Adapter 402-04-04 45°	7000104	2	Assemble before connecting valve block to swivel
48	Valve block	1027945	1	Part of control system
49	Mounting block	1045983	1	For EC204 Without Swivel
50	Valve plate	1031620	1	Part of control system
51	Swivel with connection block Complete	1028504	1	Part of control system See "Valve blocks & Swivels"
52	O-ring 7,65x1,78	710960	4	
53	Washer NL 10mm	611041	2	
54	MC6S M10x60 12.9	610460	1	
55	MC6S M10x50 12.9	610457	1	
56	Apply silicone when block is mounted			
57	Flat Washer	611006	3	
58	Hex Head Screw 10x25	610142	3	Torque: 47Nm
59	Mounting block Central lubrication	1031608	1	
60	Lubrication kit	1032960	1	See "Central lubrication"
61	MC6S M5x35 12.9	610404	3	

EC204 - Rotator frame

POS in order of assembly

Top part, make up

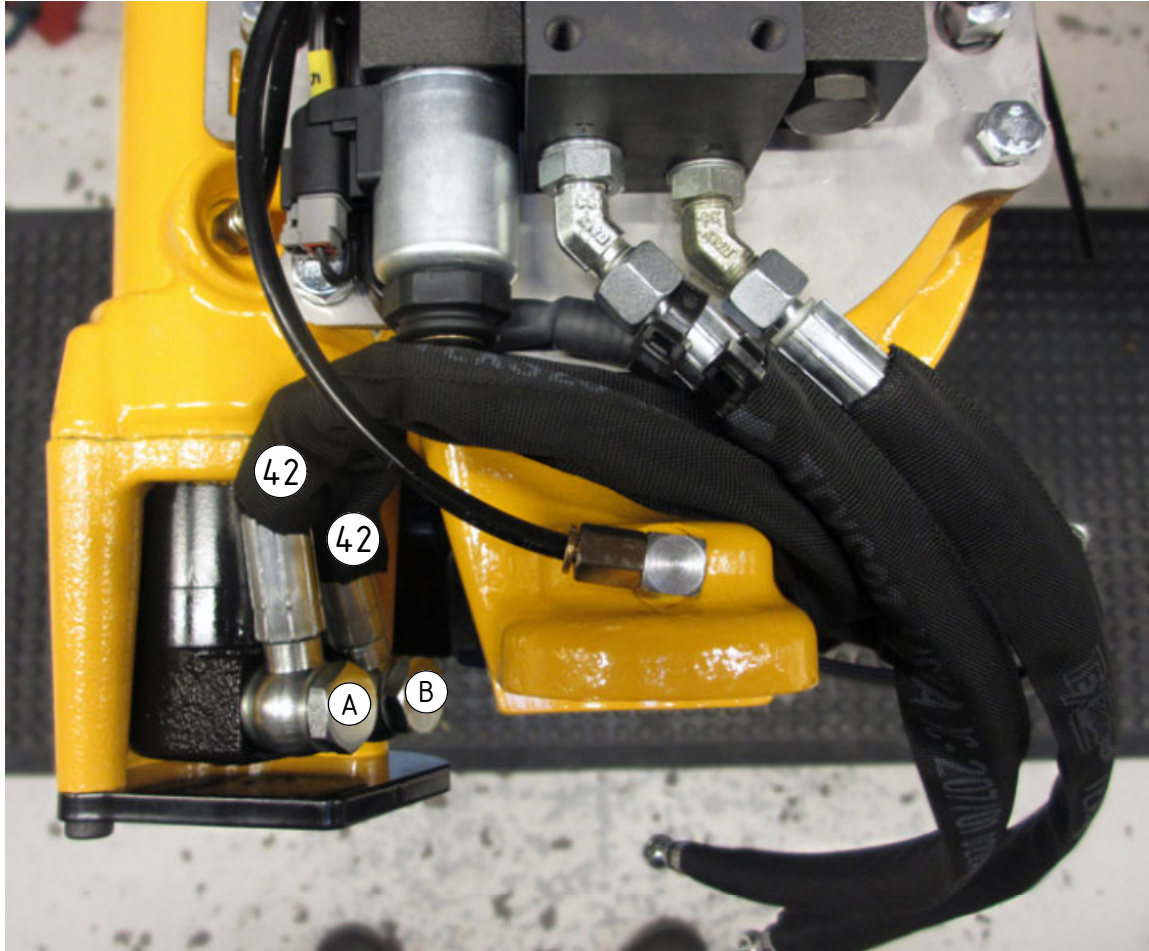
POS	DESCRIPTION	PART	QTY	COMMENTS
32	MC6S M12x60 12.9 ZFSL	6000140	11	Torque: 136Nm
62	Cylinder axle	1016572	1	
63	Washer NL M6	611039	3	
64	Socket Head Screw 6x10	611512	1	
65	Shims tilt axle	1027820	1	
66	Tilt axial washer	1027785	1	
67	Screw MC6S 6x25	6000034	2	
68	O-ring 9,92x2,62	710968	2	
69	Tilt bushing	6000004	2	
70	Tilt axle ø55	1016576	2	
73	Screw Cover M12 Clamping half	1018621	8	Part of make up
74	Sticker kit EC204	1033125	1	Part of make up



EC204 - Rotator frame

POS	DESCRIPTION	PART	QTY	COMMENTS
42	Hose hydraulic motor	7000107	2	

POS in order of assembly



POS	DESCRIPTION	PART	QTY	COMMENTS
1	Rotator frame EC204	1041830	1	(POS.2 included)

Related spare parts

Replaced from 2018-01

