

## COVERSHEET

## Planned document changes:

**Briefly:**

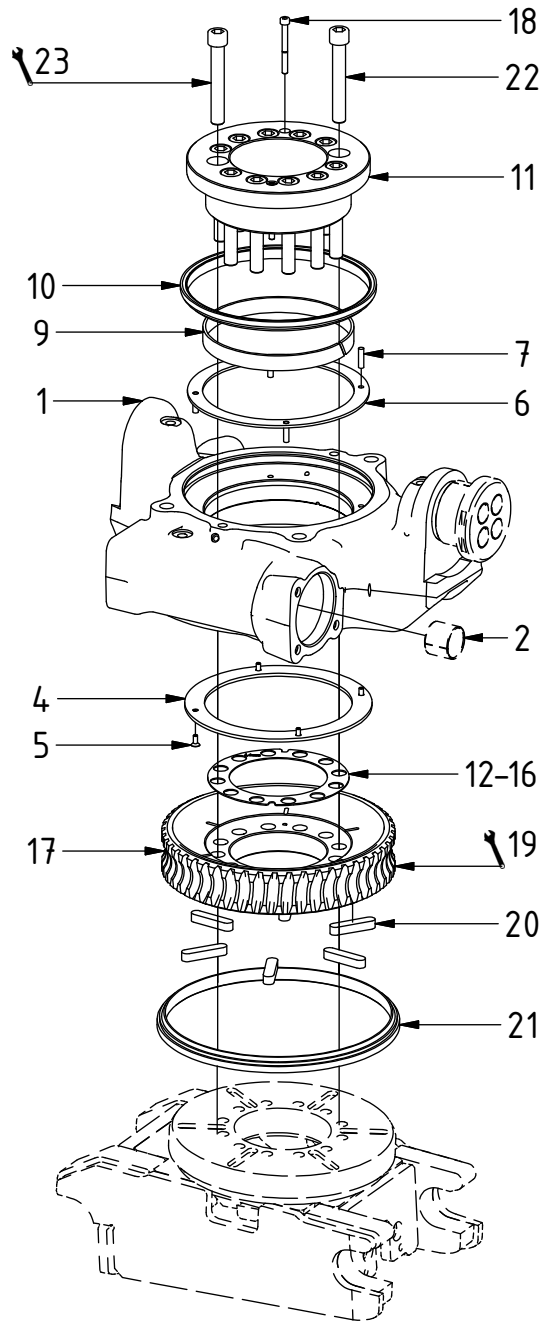
---

No planned changes.

## Document changes:

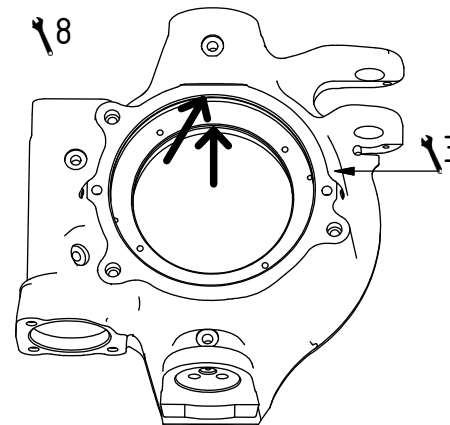
<b>Date:</b>	<b>Change:</b>	<b>Rev. after change:</b>
2019-05-10	Layout/irrelevant.	E
2018-09-27	Missing loctite info added.	D
2018-04-16	Layout/irrelevant.	C
2018-02-06	Added Mounting block for EC204 Without Swivel.	B
2018-01-19	Replaced rotator frame. Coversheet added.	A

# EC204 - Rotator frame



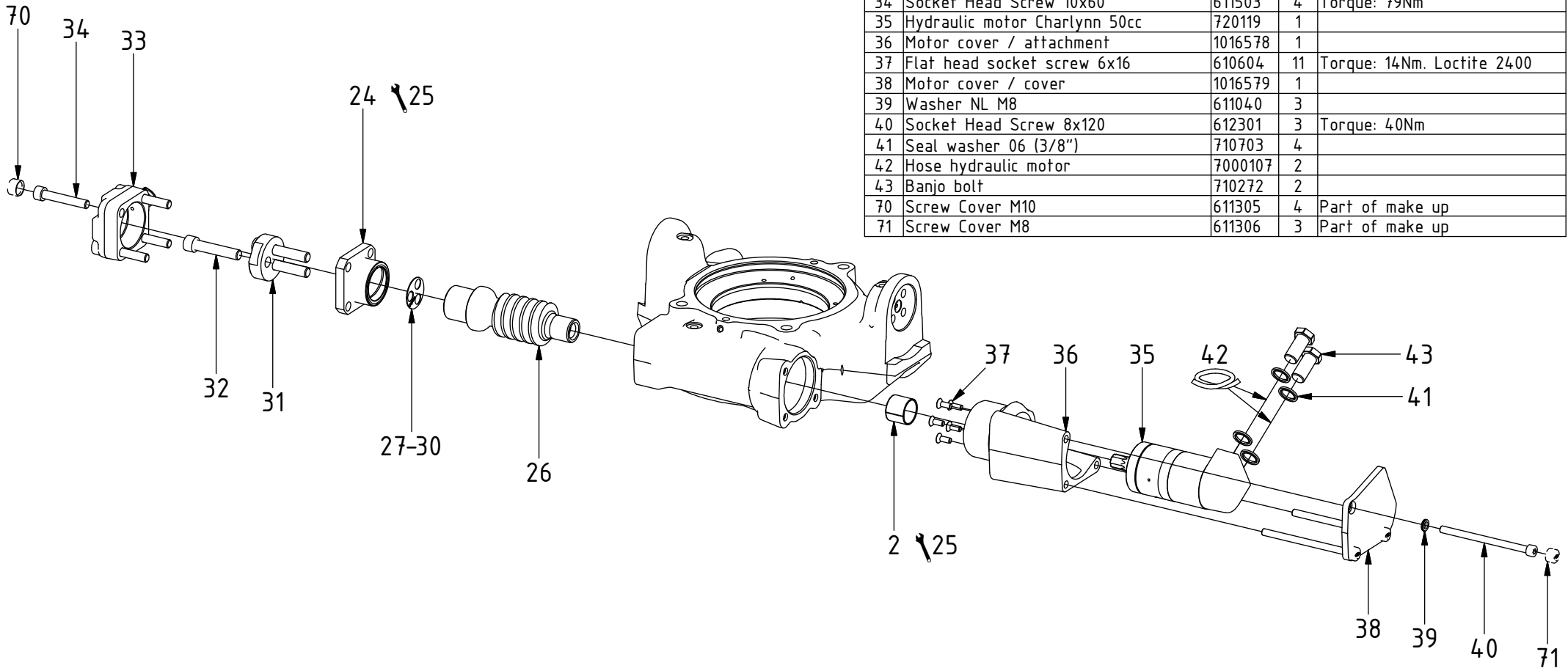
POS	DESCRIPTION	PART	QTY	COMMENTS
1	Rotator frame EC204	1041830	1	(POS.2 included)
2	Bushing 28/30x25	630004	1	
3	Punch serial number into rotator frame			
4	Wear washer	1027496	1	
5	Flat head socket screw 4x10	610605	4	
6	Wear ring	1027495	1	
7	Slotted pin S5x20	640407	4	Must not exceed Wear ring surface
8	Grease Guide belt and Wiper seal where they connect to rotator frame			
9	Guide belt	712426	1	
10	Wiper seal (centre ring)	712427	1	
11	Centre ring	1016565	1	
12	Shims Centre ring 0,5mm	1031296	1	Used if required
13	Shims Centre ring 0,6mm	1031297	1	Used if required
14	Shims Centre ring 0,7mm	1031298	1	Used if required
15	Shims Centre ring 0,8mm	1031299	1	Used if required
16	Shims Centre ring 1,0mm	1031300	1	Used if required
17	Worm wheel	1016564	1	
18	Screw MC6S 5x50	610407	2	
19	Check break play: 0,01mm - 0,15mm Check rotation play: 0,01mm - 0,10mm			Make sure worm wheel rotates easily
20	Feather Key	650101	6	
21	Wiper seal (quick hitch)	712428	1	
22	Socket Head Screw 12x80	610484	12	Torque: 136Nm
23	Torque tighten rotator frame to quick hitch, twelve holes			

POS in order of assembly

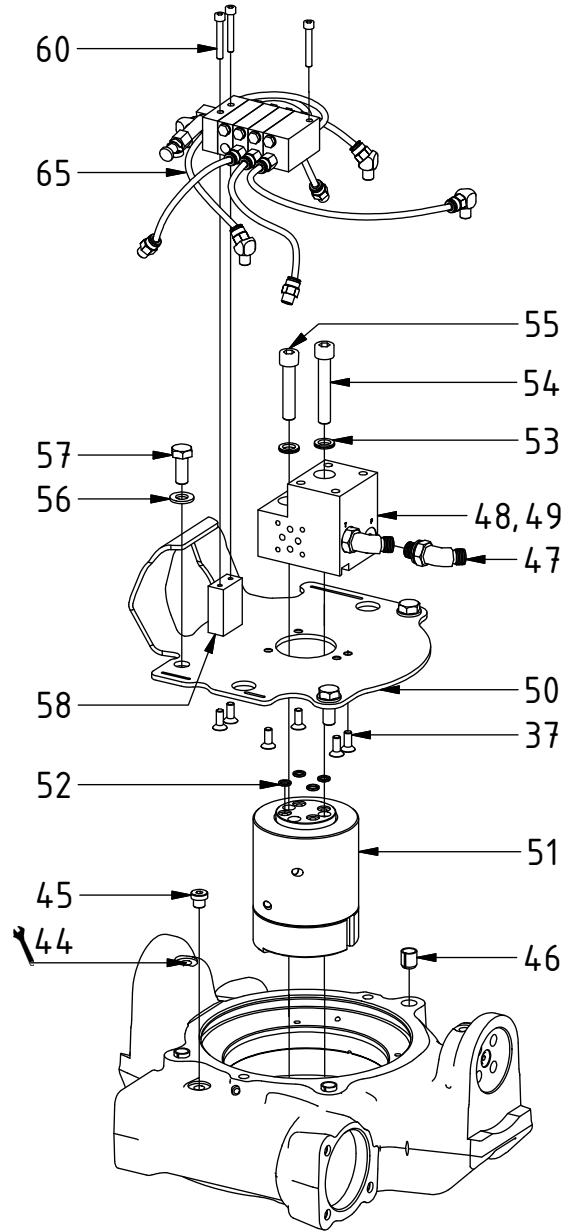


# EC204 - Rotator frame

POS	DESCRIPTION	PART	QTY	COMMENTS
2	Bushing 28/30x25	630004	1	
24	Screw bushing	1027319	1	
25	Grease Screw bushing and Bushing generously			
26	Worm Screw	202898	1	
27	Shims Worm screw 0,5mm	405218	1	Used if required
28	Shims Worm screw 0,6mm	405219	1	Used if required
29	Shims Worm screw 0,7mm	405220	1	Used if required
30	Shims Worm screw 0,8mm	405217	1	Used if required
31	Washer Worm screw	405234	1	
32	Socket Head Screw 12x60	610480	11	Torque: 136Nm
33	End Lock	1027476	1	
34	Socket Head Screw 10x60	611503	4	Torque: 79Nm
35	Hydraulic motor Charlynn 50cc	720119	1	
36	Motor cover / attachment	1016578	1	
37	Flat head socket screw 6x16	610604	11	Torque: 14Nm. Loctite 2400
38	Motor cover / cover	1016579	1	
39	Washer NL M8	611040	3	
40	Socket Head Screw 8x120	612301	3	Torque: 40Nm
41	Seal washer 06 (3/8")	710703	4	
42	Hose hydraulic motor	7000107	2	
43	Banjo bolt	710272	2	
70	Screw Cover M10	611305	4	Part of make up
71	Screw Cover M8	611306	3	Part of make up



# EC204 - Rotator frame



POS	DESCRIPTION	PART	QTY	COMMENTS
37	Flat head socket screw 6x16	610604	11	Torque: 14Nm. Loctite 2400
44	Begin lubrication assembly			See "Central lubrication"
45	Plug Bsp 1/8"	711503	1	
46	Spring rod 13x14	640414	3	
47	Adapter 402-04-04 45°	7000104	2	Assemble before connecting valve block to swivel
48	Valve block	1027945	1	Part of control system
49	Mounting block	1045983	1	For EC204 Without Swivel
50	Valve plate	1031620	1	Part of control system
51	Swivel with Connection block Complete	1028504	1	Part of control system See "Valve blocks & Swivels"
52	O-ring 7,65x1,78	710960	4	
53	Washer NL10	611041	2	
54	Socket Head Screw 10x60	610460	1	
55	Socket Head Screw 10x50	610457	1	
56	Flat Washer	611006	3	
57	Hex Head Screw 10x25	610142	3	
58	Mounting block Central lubrication	1031608	1	
59	Lubrication kit	1032960	1	See "Central lubrication"
60	Socket Head Screw 5x35	610404	3	

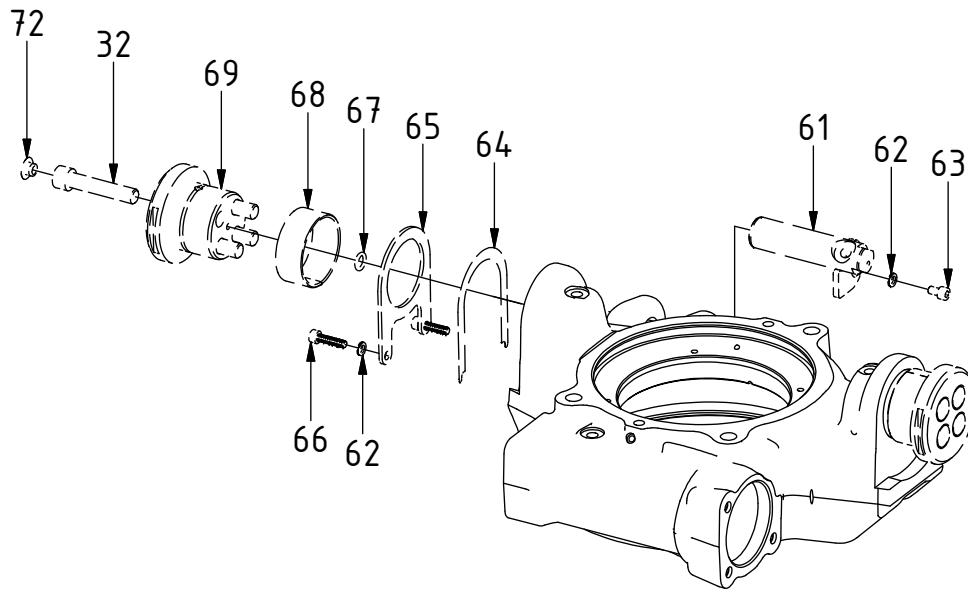
POS in order of assembly

# EC204 - Rotator frame

Top part, make up

POS	DESCRIPTION	PART	QTY	COMMENTS
32	Socket Head Screw 12x60	610480	11	Torque: 136Nm
61	Cylinder axle	1016572	1	
62	Washer NL M6	611039	3	
63	Socket Head Screw 6x10	611512	1	
64	Shims tilt axle	1027820	1	
65	Tilt axial washer	1027785	1	
66	Screw MC6S 6x25	6000034	2	
67	O-ring 9,92x2,62	710968	2	
68	Tilt bushing	6000004	2	
69	Tilt axle ø55	1016576	2	
72	Screw Cover M12 Tilt axle	1018621	8	Part of make up
73	Sticker kit EC204	1033125	1	Part of make up

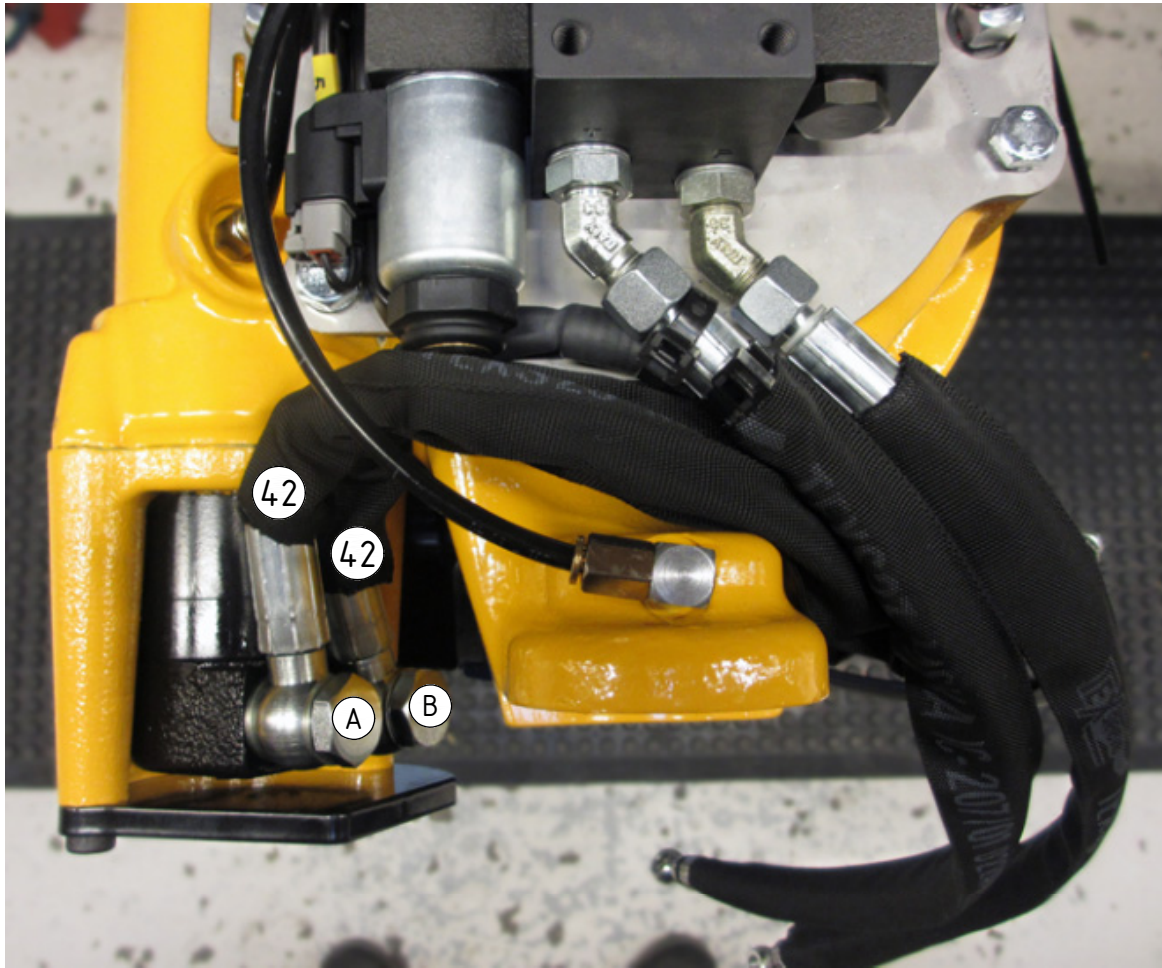
POS in order of assembly



# EC204 - Rotator frame

POS	DESCRIPTION	PART	QTY	COMMENTS
42	Hose hydraulic motor	7000107	2	

POS in order of assembly



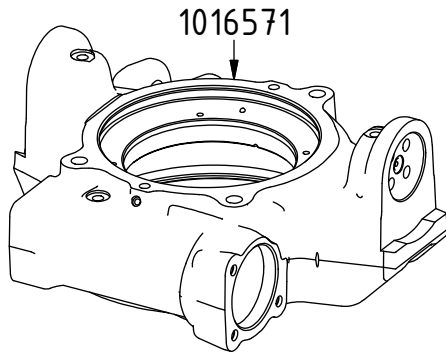
# EC204 - Rotator frame

POS	DESCRIPTION	PART	QTY	COMMENTS
1	Rotator frame EC204	1041830	1	(POS.2 included)

POS in order of assembly

Related spare parts:

Replaced from 2018-01



1016571