

COVERSHEET

Planned document changes:

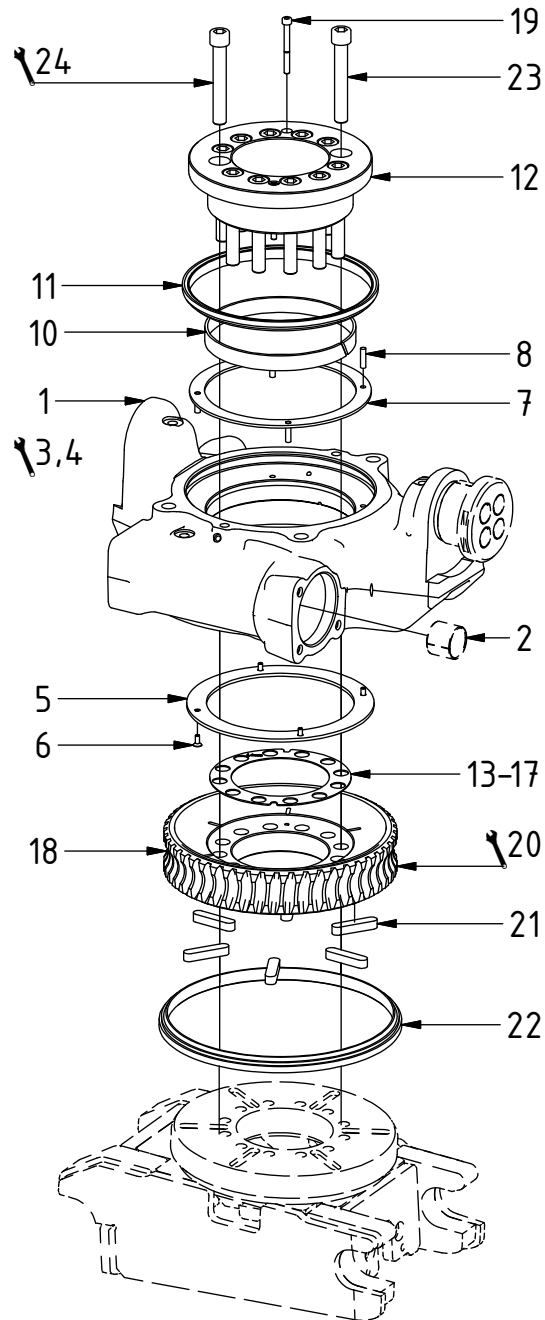
Briefly:

No planned changes.

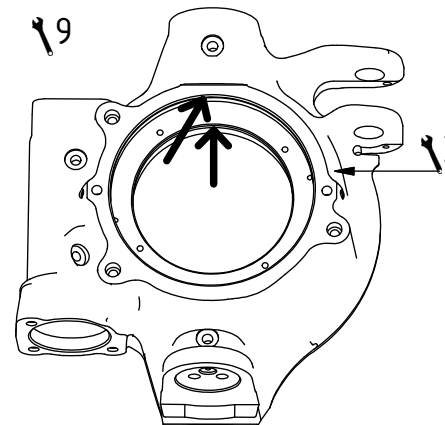
Document changes:

Date:	Change:	Rev. after change:
2018-04-16	Layout/irrelevant.	C
2018-02-06	Added Mounting block for EC204 Without Swivel.	B
2018-01-19	Replaced rotator frame. Coversheet added.	A

EC204 - Rotator frame



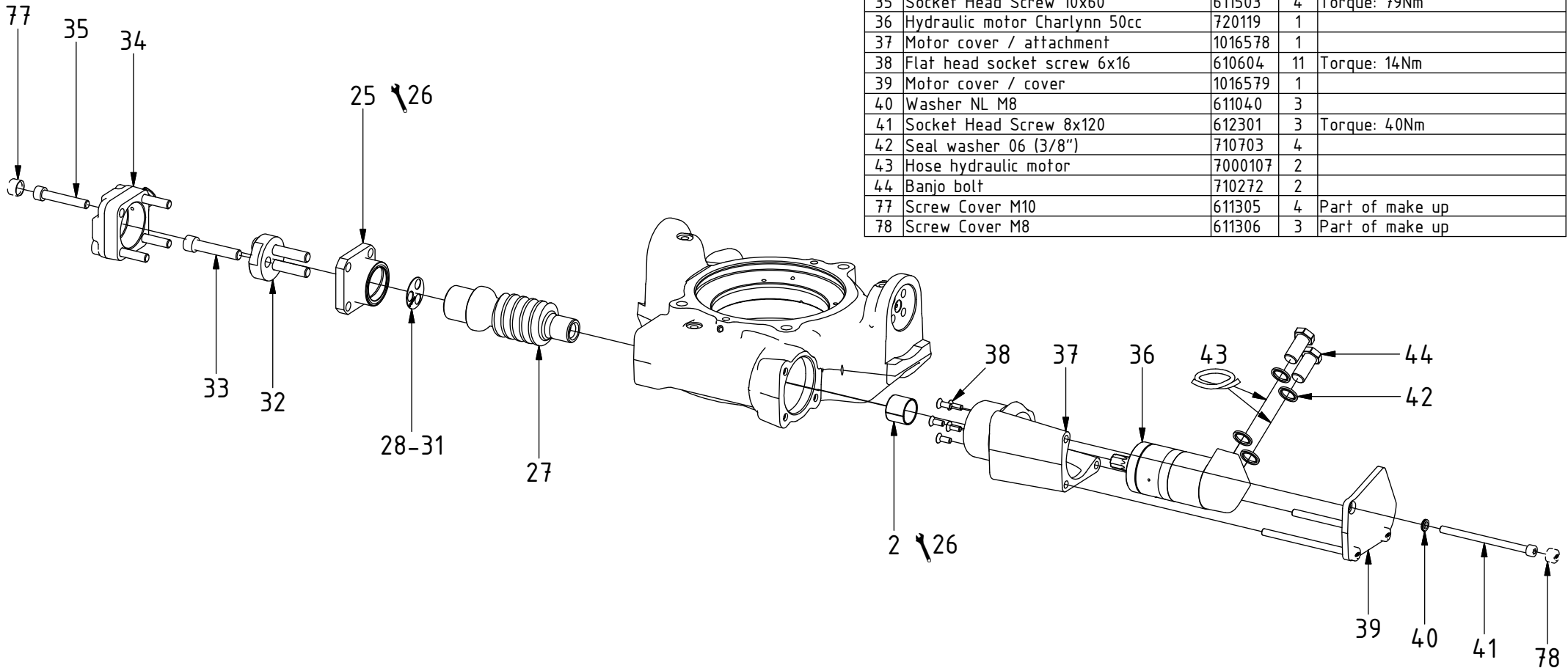
POS	DESCRIPTION	PART	QTY	COMMENTS
1	Rotator frame EC204	1041830	1	(POS.2 included)
2	Bushing 28/30x25	630004	1	
3	Punch serial number into rotator frame			
4	Note serial/cast/manufacturing numbers according to module card			
5	Wear washer	1027496	1	
6	Flat head socket screw 4x10	610605	4	
7	Wear ring	1027495	1	
8	Slotted pin S5x20	640407	4	Must not exceed Wear ring surface
9	Grease Guide belt and Wiper seal where they connect to rotator frame			
10	Guide belt	712426	1	
11	Wiper seal (centre ring)	712427	1	
12	Centre ring	1016565	1	
13	Shims Centre ring 0,5mm	1031296	1	Used if required
14	Shims Centre ring 0,6mm	1031297	1	Used if required
15	Shims Centre ring 0,7mm	1031298	1	Used if required
16	Shims Centre ring 0,8mm	1031299	1	Used if required
17	Shims Centre ring 1,0mm	1031300	1	Used if required
18	Worm wheel	1016564	1	
19	Screw MC6S 5x50	610407	2	
20	Check break play: 0,01mm - 0,15mm Check rotation play: 0,01mm - 0,10mm			Make sure worm wheel rotates easily
21	Feather Key	650101	6	
22	Wiper seal (quick hitch)	712428	1	
23	Socket Head Screw 12x80	610484	12	Torque: 136Nm
24	Torque tighten rotator frame to quick hitch, twelve holes			



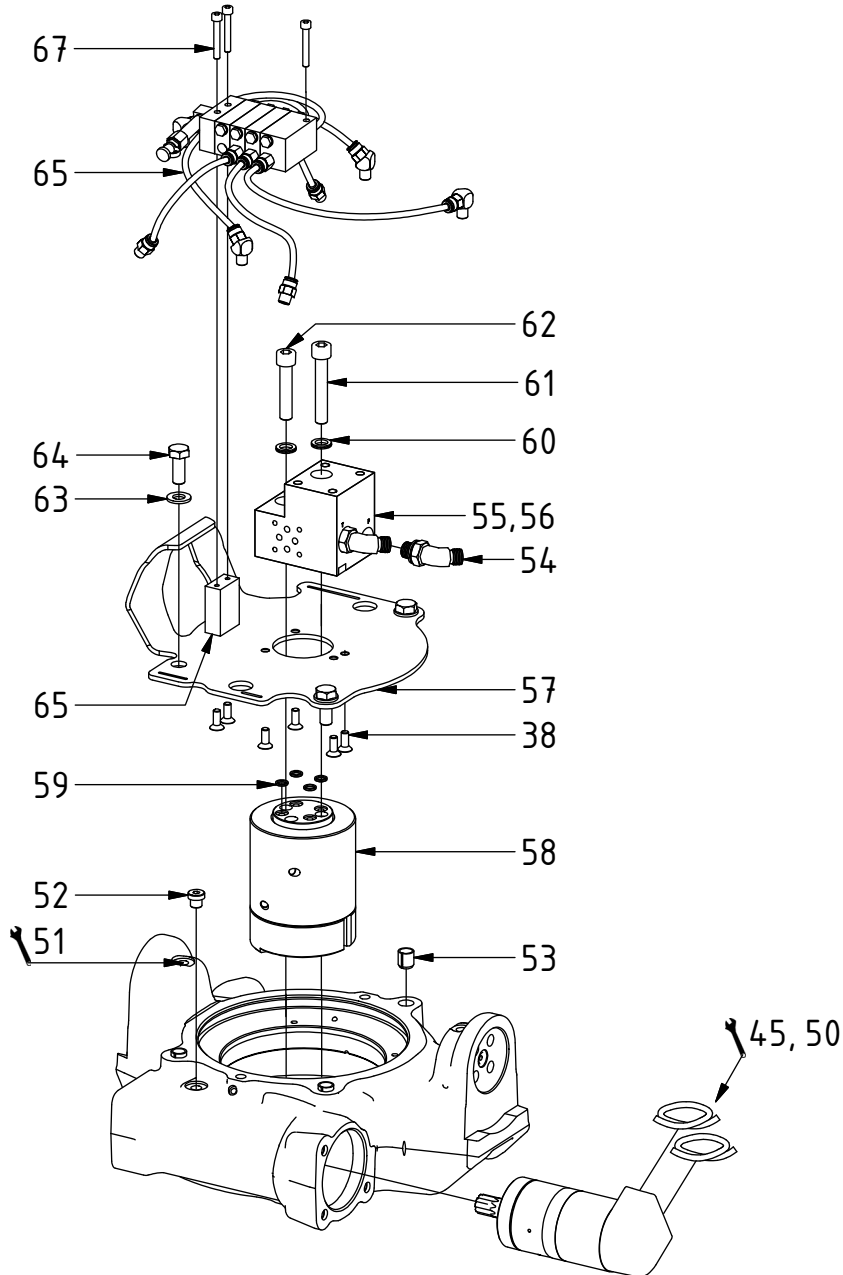
EC204 - Rotator frame

POS in order of assembly

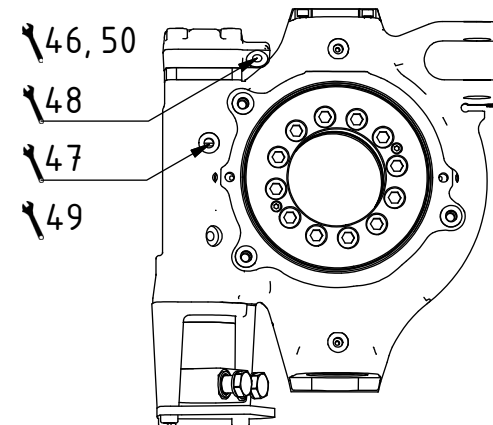
POS	DESCRIPTION	PART	QTY	COMMENTS
2	Bushing 28/30x25	630004	1	
25	Screw bushing	1027319	1	
26	Grease Screw bushing and Bushing generously			
27	Worm Screw	202898	1	
28	Shims Worm screw 0,5mm	405218	1	Used if required
29	Shims Worm screw 0,6mm	405219	1	Used if required
30	Shims Worm screw 0,7mm	405220	1	Used if required
31	Shims Worm screw 0,8mm	405217	1	Used if required
32	Washer Worm screw	405234	1	
33	Socket Head Screw 12x60	610480	11	Torque: 136Nm
34	End Lock	1027476	1	
35	Socket Head Screw 10x60	611503	4	Torque: 79Nm
36	Hydraulic motor Charlynn 50cc	720119	1	
37	Motor cover / attachment	1016578	1	
38	Flat head socket screw 6x16	610604	11	Torque: 14Nm
39	Motor cover / cover	1016579	1	
40	Washer NL M8	611040	3	
41	Socket Head Screw 8x120	612301	3	Torque: 40Nm
42	Seal washer 06 (3/8")	710703	4	
43	Hose hydraulic motor	7000107	2	
44	Banjo bolt	710272	2	
77	Screw Cover M10	611305	4	Part of make up
78	Screw Cover M8	611306	3	Part of make up



EC204 - Rotator frame



POS	DESCRIPTION	PART	QTY	COMMENTS
38	Flat head socket screw 6x16	610604	11	Torque: 14Nm
45	Attach temporary quick couplings to activate hydraulic motor			
46	Attach temporary grease nipples			
47	Fill with grease while rotating			
48	Fill with grease while rotating			
49	Fill until grease emerges from evacuation hole on underside			
50	Disconnect the temporary quick couplings and grease nipples			
51	Central Lubrication is applied gradually, finish during top part assembly			See "Lubrication kit"
52	Plug Bsp 1/8"	711503	1	
53	Spring rod 13x14	640414	3	
54	Adapter 402-04-04 45°	7000104	2	Assemble before connecting valve block to swivel
55	Valve block	1027945	1	
56	Mounting block	1045983	1	For EC204 Without Swivel
57	Valve plate	1031620	1	
58	Swivel with Connection block Complete	1028504	1	See "Valve blocks & Swivels"
59	O-ring 7,65x1,78	710960	4	
60	Washer NL10	611041	2	
61	Socket Head Screw 10x60	610460	1	
62	Socket Head Screw 10x50	610457	1	
63	Flat Washer	611006	3	
64	Hex Head Screw 10x25	610142	3	
65	Mounting block Central lubrication	1031608	1	
66	Lubrication kit	1032960	1	See "Lubrication kit"
67	Socket Head Screw 5x35	610404	3	

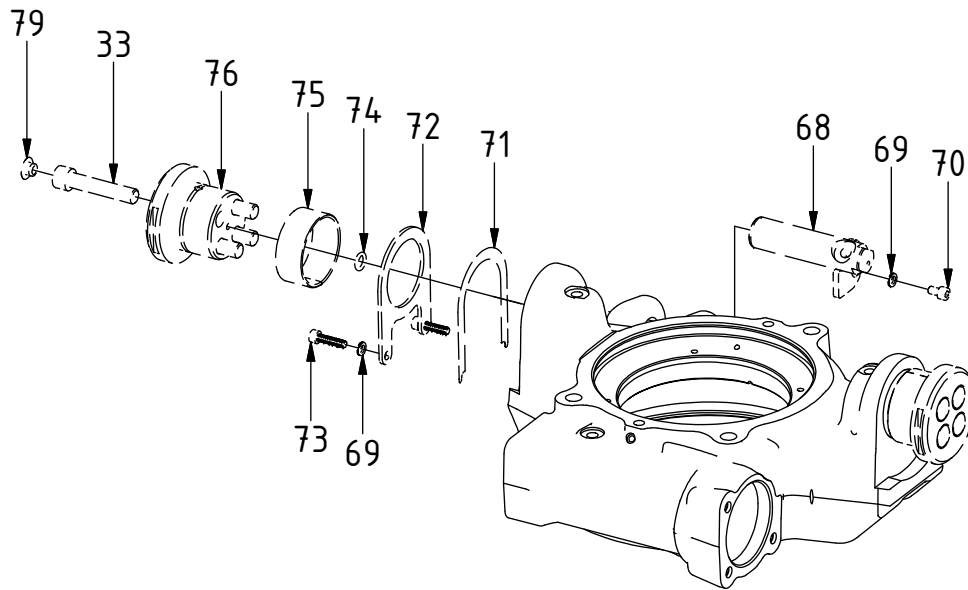


EC204 - Rotator frame

Top part, make up

POS	DESCRIPTION	PART	QTY	COMMENTS
33	Socket Head Screw 12x60	610480	11	Torque: 136Nm
68	Cylinder axle	1016572	1	
69	Washer NL M6	611039	3	
70	Socket Head Screw 6x10	611512	1	
71	Shims tilt axle	1027820	1	
72	Tilt axial washer	1027785	1	
73	Screw MC6S 6x25	6000034	2	
74	O-ring 9,92x2,62	710968	2	
75	Tilt bushing	6000004	2	
76	Tilt axle ø55	1016576	2	
79	Screw Cover M12 Tilt axle	1018621	8	Part of make up
80	Sticker kit EC204	1033125	1	Part of make up

POS in order of assembly



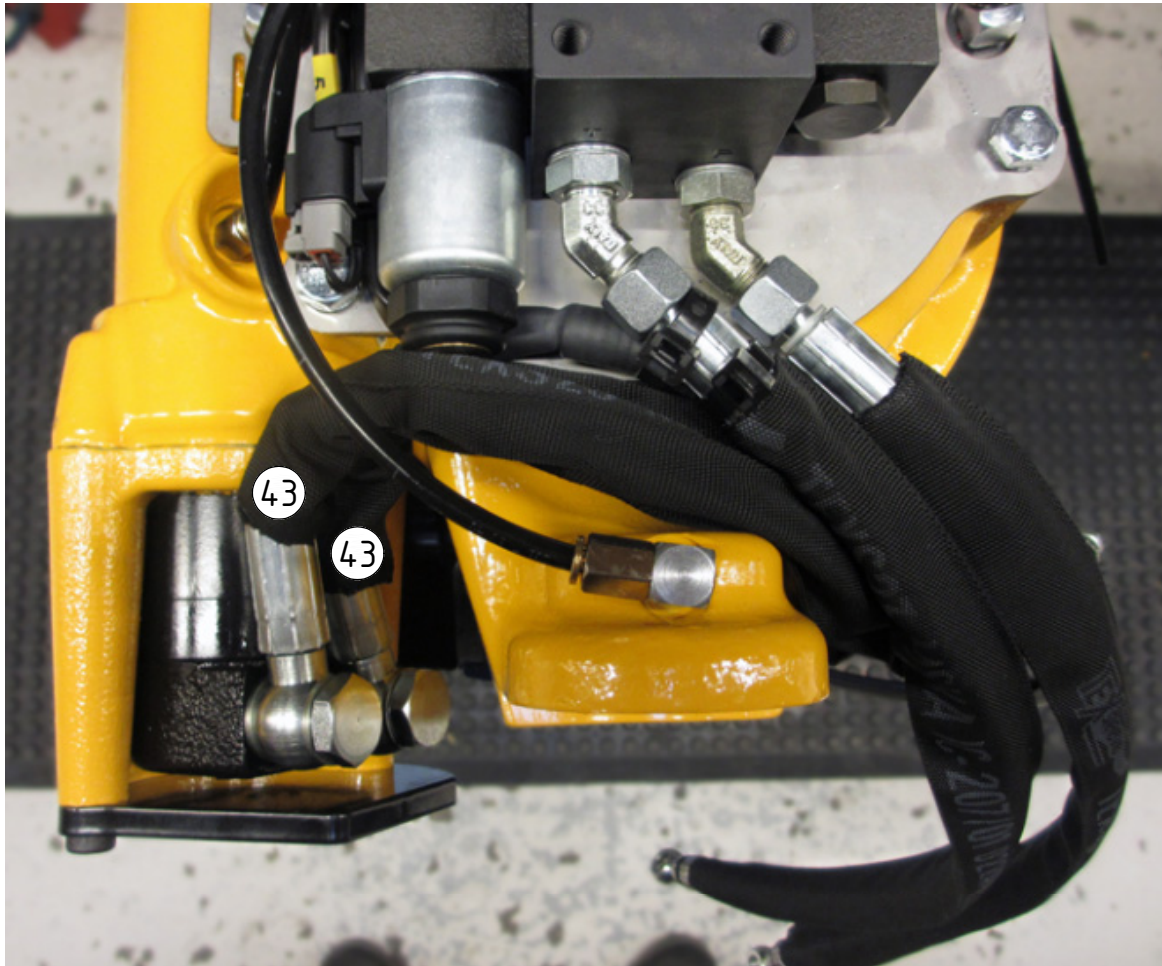
80



EC204 - Rotator frame

POS	DESCRIPTION	PART	QTY	COMMENTS
43	Hose hydraulic motor	7000107	2	

POS in order of assembly



EC204 - Rotator frame

POS	DESCRIPTION	PART	QTY	COMMENTS
1	Rotator frame EC204	1041830	1	(POS.2 included)

POS in order of assembly

Related spare parts:

Replaced from 2018-01

