

TG25

COVERSHEET

Planned document changes:

Briefly:

Add ECO45/50:
2x740909, 2x710106, 2x710216, 2x710703, 2x710106, 2x710703.

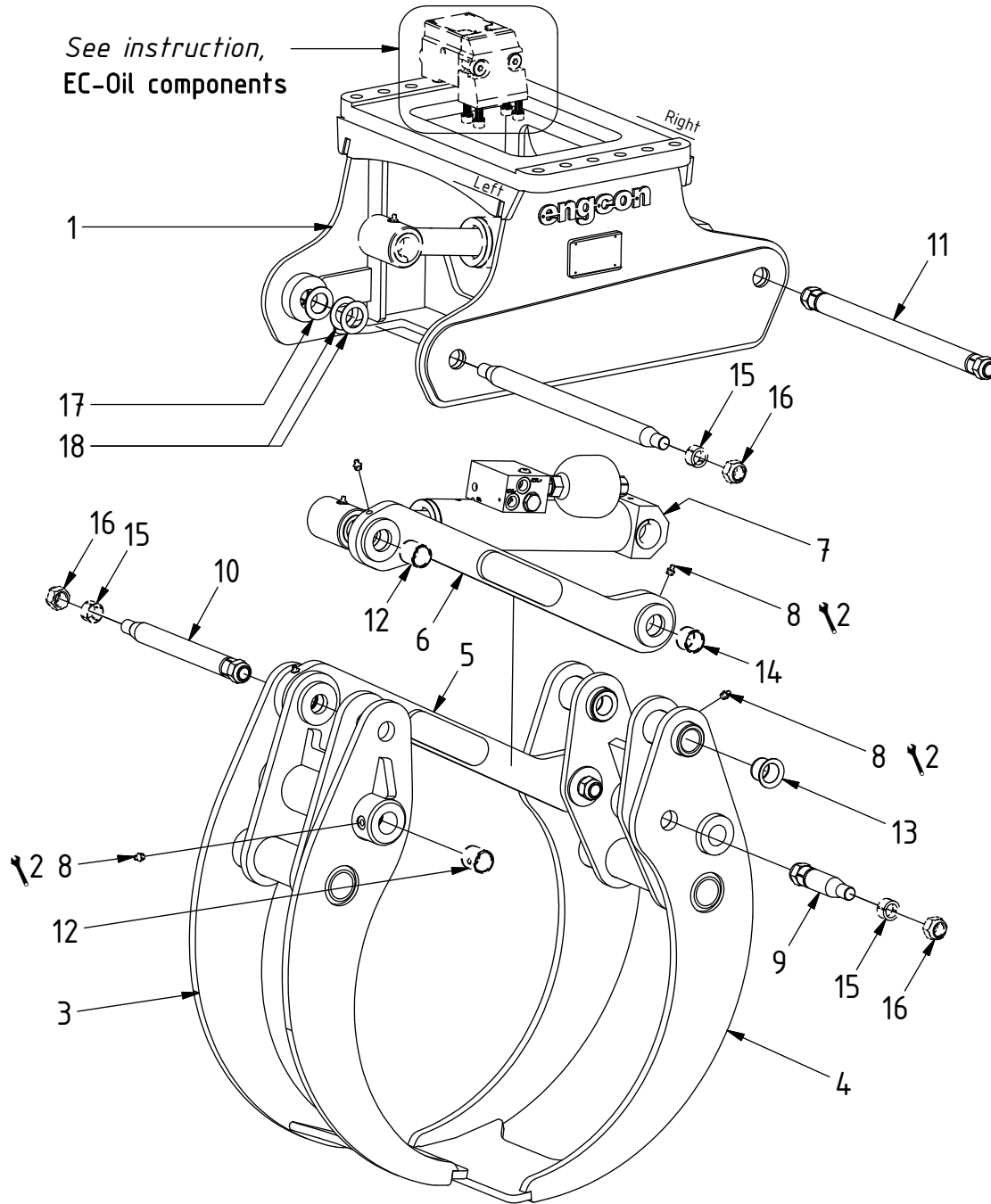
Replace the 1/4" parts with 3/8":

POS.22: 710106
POS.23: 710703
POS.25: 790112

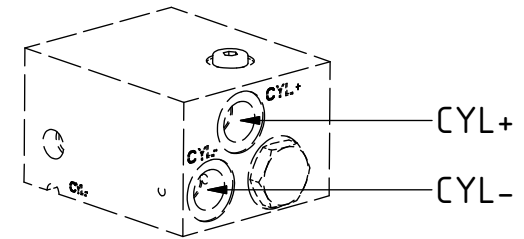
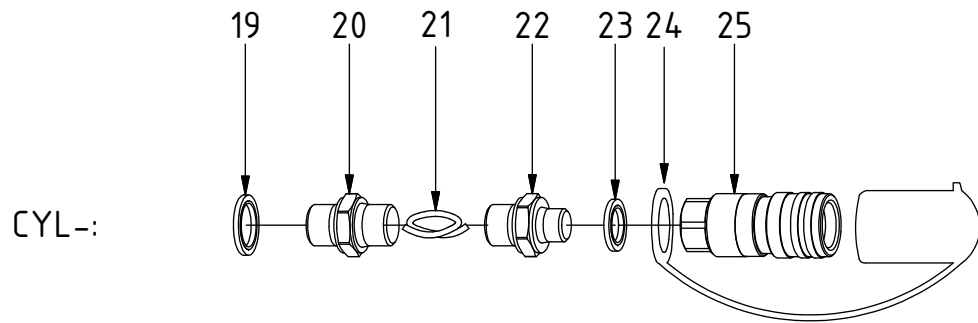
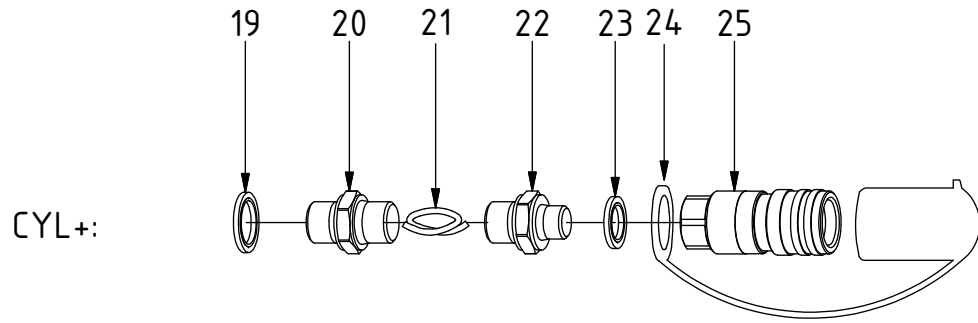
Document changes:

<u>Date:</u>	<u>Change:</u>	<u>Rev. after change:</u>
2021-02-04	Photos added.	B
2020-04-14	Coversheet added.	A
2016-10-21	New instruction.	-

POS	DESCRIPTION	PART	QTY	COMMENTS
1	Main frame TG25	1032311	1	
2	Fill lubrication points with grease as they are assembled			
3	Arm narrow TG25	1032314	1	(POS.8, 12 included)
4	Arm wide TG25	1032319	1	(POS.8, 13 included)
5	Link TG25	1032348	1	(POS.8, 12, 14 included)
6	Link TG25	1035097	1	(POS.8, 12, 14 included)
7	Cylinder TG25	1044068	1	See "Grab cylinders"
8	Grease Nipple M10x1	7114.10	8	
9	Expander axle TG25 L=135mm	1035024	2	(POS.15-16 included)
10	Expander axle TG25 L=250mm	1035102	1	(POS.15-16 included)
11	Expander axle TG25 L=412mm	1035100	2	(POS.15-16 included)
12	Bushing WB802 30/34x35	630314	10	
13	Bushing WB802 30/34/45x30WF	630401	4	
14	Bussning 30/34x25	600052	2	
15	Sleeve	1035098	10	
16	Hex. Nut M20x1.5 10.9 Nylon Lock Zinc plated	6000055	10	Torque: 350Nm
17	Axial washer 2mm	1024924	4	Used if required
18	Axial washer 1mm	1024925	8	Used if required



POS	DESCRIPTION	PART	QTY	COMMENTS
19	Washer GBR06 3/8	710703	2	
20	Adapter 3/8"	710106	2	
21	Hose 3/8"	740910	2	
22	Adapter BSP 1/4" male - 3/8" male	710118	2	
23	Sealing washer 1/4"	710702	2	
24	Dust protection	790117	2	
25	Quick coupler	790110	2	



POS	DESCRIPTION	PART	QTY	COMMENTS
21	Hose 3/8"	740910	2	

