

COVERSHEET

Planned document changes:

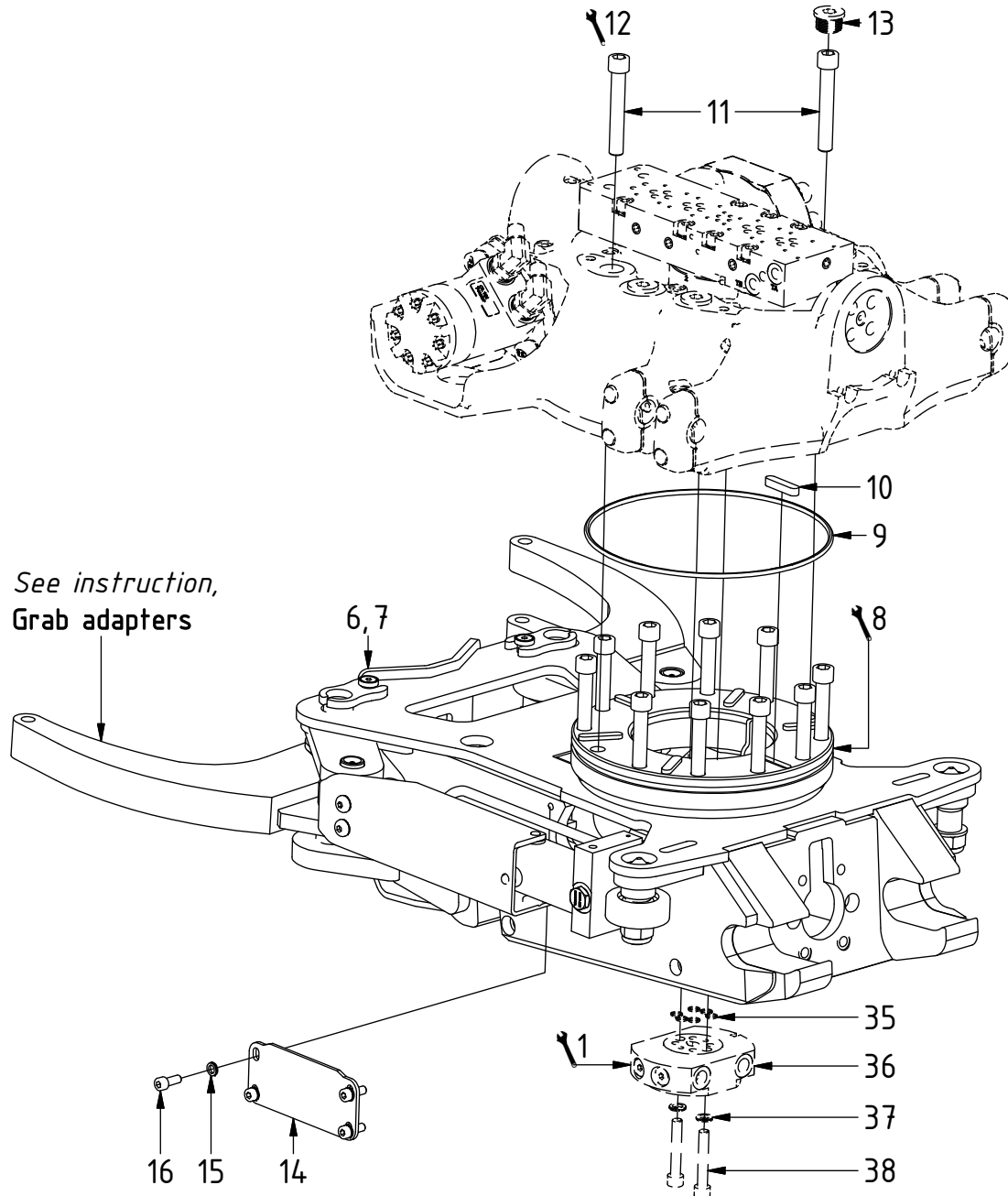
Briefly:

No planned changes.

Document changes:

Date:	Change:	Rev. after change:
2023-11-27	O-ring for hitch updated.	G
2019-04-23	EC-Oil hose-mixup corrected.	F
2019-01-04	New Extra hose added (different angle).	E
2017-10-16	T-adapter for grab hoses corrected.	D
2017-08-09	Quick hitch QS50 GR10 replaced. Coversheet added.	C

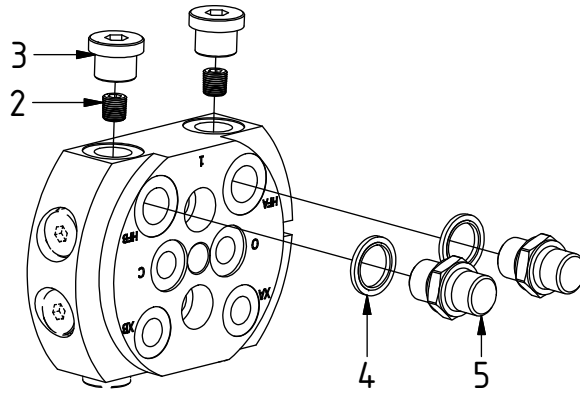
EC209 - QS45/QS50 GR10



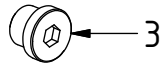
POS	DESCRIPTION	PART	QTY	COMMENTS
1	See p.3 connection block config.			
6	Quick hitch QS45 GR10 EC209 Complete	1039754	1	Grab adapter included Replaces 1025856 from 2016-11
7	Quick hitch QS50 GR10 EC209 Complete	1041184	1	Grab adapter included Replaces 1028168 from 2017-08
8	Grease the ring			
9	O-ring 242x5	7001663	1	
10	Feather Key	650101	6	
11	Screw MC6S 14x90 12.9 ZFSL	6000158	12	Torque: 217Nm
12	Torque tighten rotator frame to hitch. Rotate to access all holes			
13	Pipe Plug M26x1,5	650409	6	Part of rotator frame assembly
14	Cover plate	1025118	2	
15	Washer NL M8	611040	8	
16	MC6S M8x20 12.9	610433	8	
35	O-ring 9,25x1,78	710901	6	Part of rotator frame assembly
36	Connection block EC209 (for slipring)	1025502	1	Part of rotator frame assembly
37	Washer NL10	611041	2	Part of rotator frame assembly
38	MC6S M10x60 12.9	610460	2	Part of rotator frame assembly

Standard / EC-Oil:

POS	DESCRIPTION	PART	QTY	COMMENTS
2	Pipe plug 1/8"	711523	2	Loctite 5400
3	Plug 3/8"	711504	2	QTY: 4 for EC209 Without Extra
4	Washer GBR06 (3/8")	710703	4	
5	Adapter 136-06-06 (3/8")	710106	2	QTY: 4 for EC-Oil

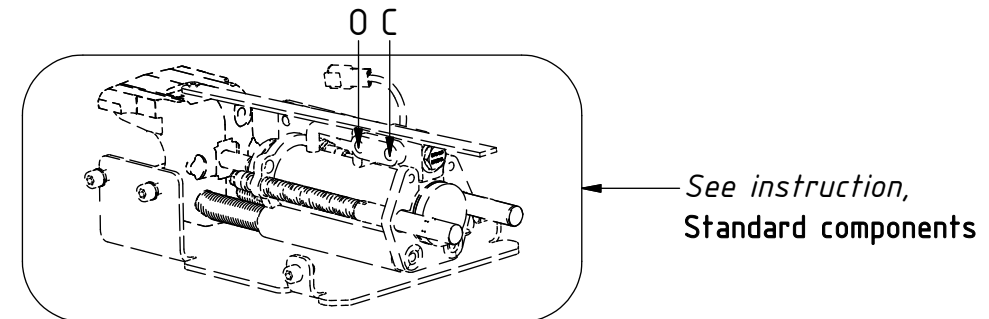
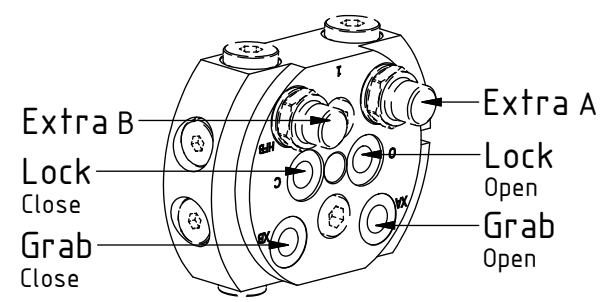
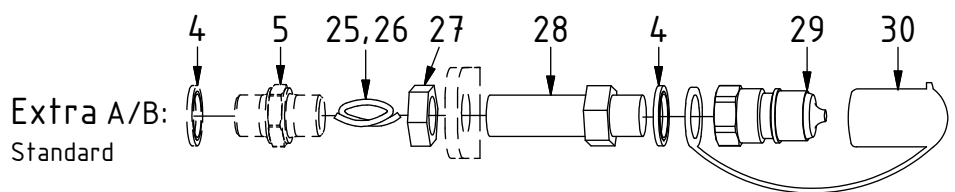
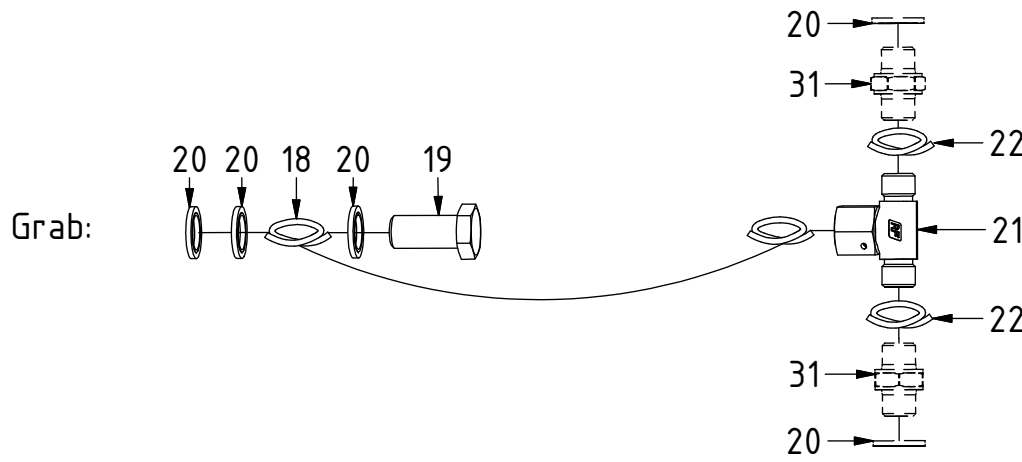
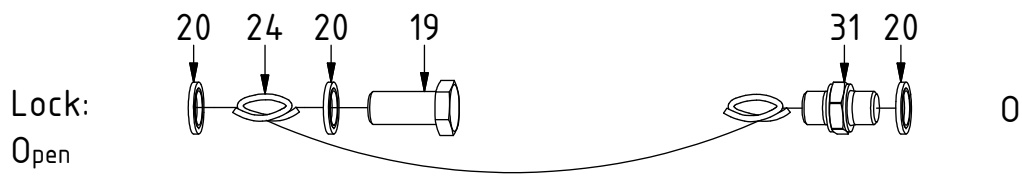
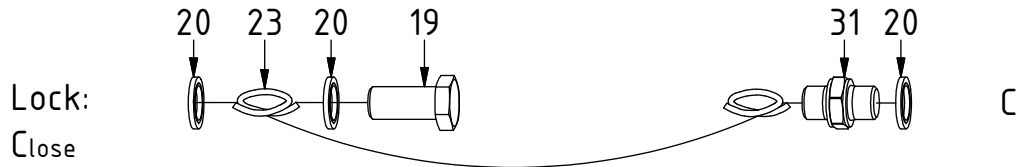


Without Extra:



Replaces POS.4-5

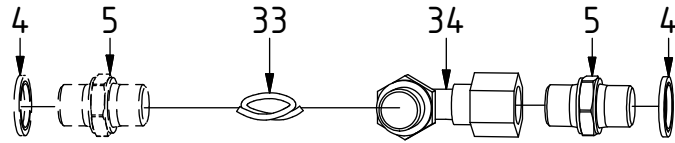
POS	DESCRIPTION	PART	QTY	COMMENTS
4	Washer GBR06 (3/8")	710703	4	
5	Adapter 136-06-06 (3/8")	710106	2	QTY: 4 for EC-Oil
17	Hose kit - Grab	742857	1	(POS.18, 22 included)
18	Hose Grab Inside	742845	2	
19	Banjo Bolt 1/4"	710271	4	
20	Washer GBR04 (1/4")	710702	16	QTY: 4 part of Grab adapter
21	Adapter 853-04-04 (1/4")	710184	2	
22	Hose Grab	742847	4	
23	Hose Lock Short	742844	1	
24	Hose Lock Long	742843	1	
25	Hose Extra A	7000053	1	
26	Hose Extra B	7000714	1	
27	Check nut 1270-06 (3/8")	710252	2	
28	Adapter 1260-06-43 (3/8")	710262	2	
29	Quick coupling 3/8"	790113	2	
30	Dust protection 3/8"	790120	2	
31	Adapter 138-04-29 (1/4")	710135	6	QTY: 4 part of Grab adapter



POS	DESCRIPTION	PART	QTY	COMMENTS
4	Washer GBR06 (3/8")	710703	4	
5	Adapter 136-06-06 (3/8")	710106	2	QTY: 4 for EC-Oil
32	Hose Extra (EC-Oil) Long	742848	1	
33	Hose Extra (EC-Oil) Short	742849	1	
34	Adapter 488-06-06 90° (3/8")	710165	1	

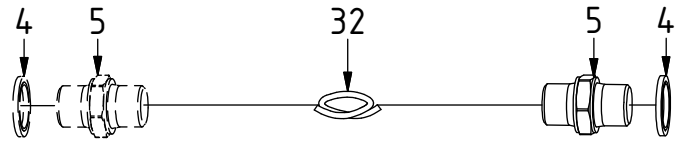
EC-Oil:

Extra A:
EC-Oil

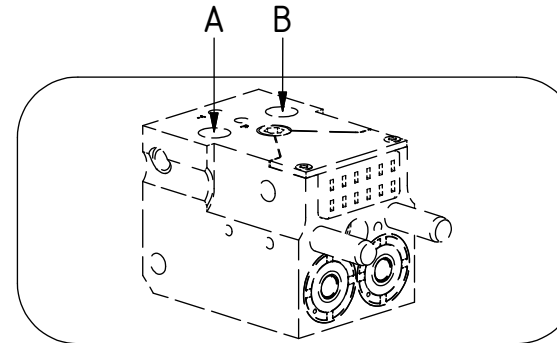
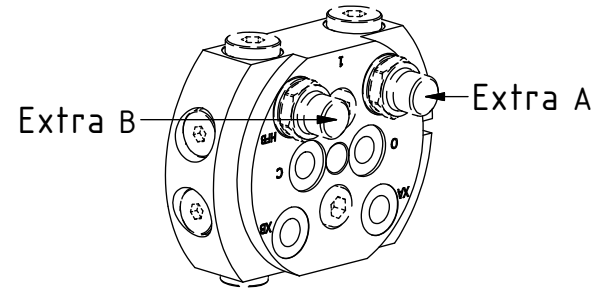


A

Extra B:
EC-Oil



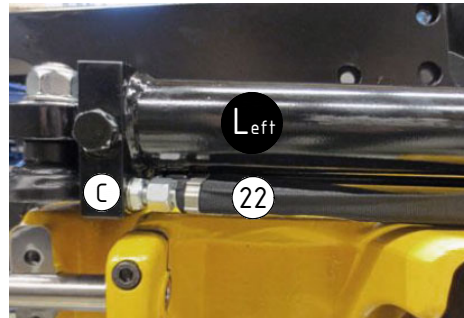
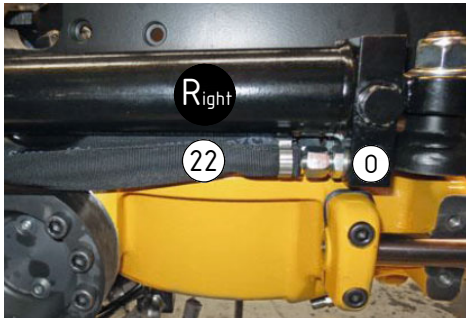
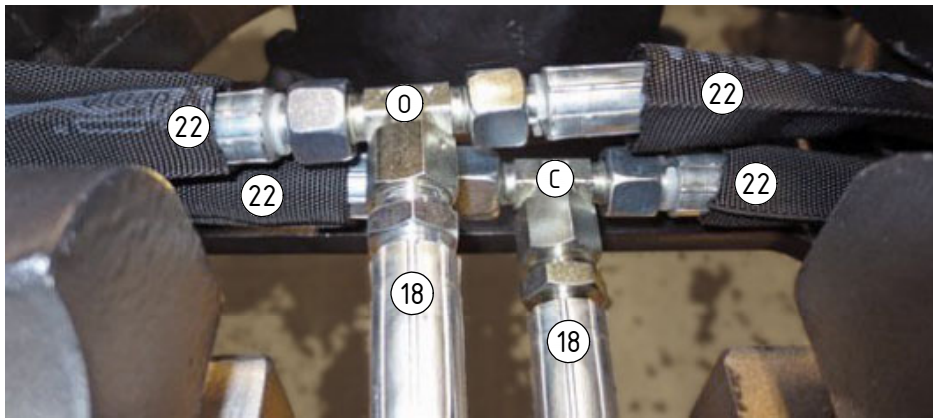
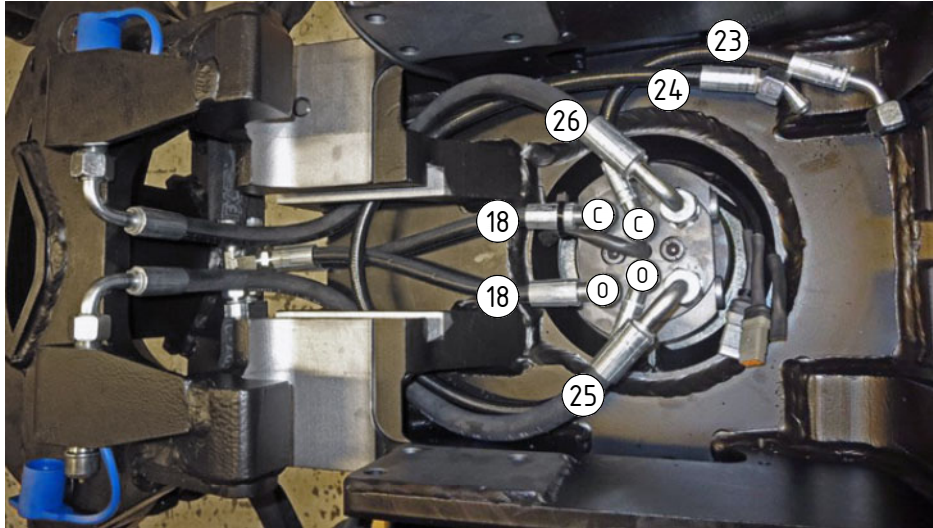
B



See instruction,
EC-Oil components

EC209 - QS45/QS50 GR10

Standard:



POS	DESCRIPTION	PART	QTY	COMMENTS
17	Hose kit - Grab	742857	1	(POS.18, 22 included)
18	Hose Grab Inside	742845	2	
22	Hose Grab	742847	4	
23	Hose Lock Short	742844	1	
24	Hose Lock Long	742843	1	
25	Hose Extra A	7000053	1	
26	Hose Extra B	7000714	1	
32	Hose Extra (EC-Oil) Long	742848	1	
33	Hose Extra (EC-Oil) Short	742849	1	

EC-Oil:

