

Valve block 5v & Swivel 7-ch ECHF

COVERSHEET

Planned document changes:

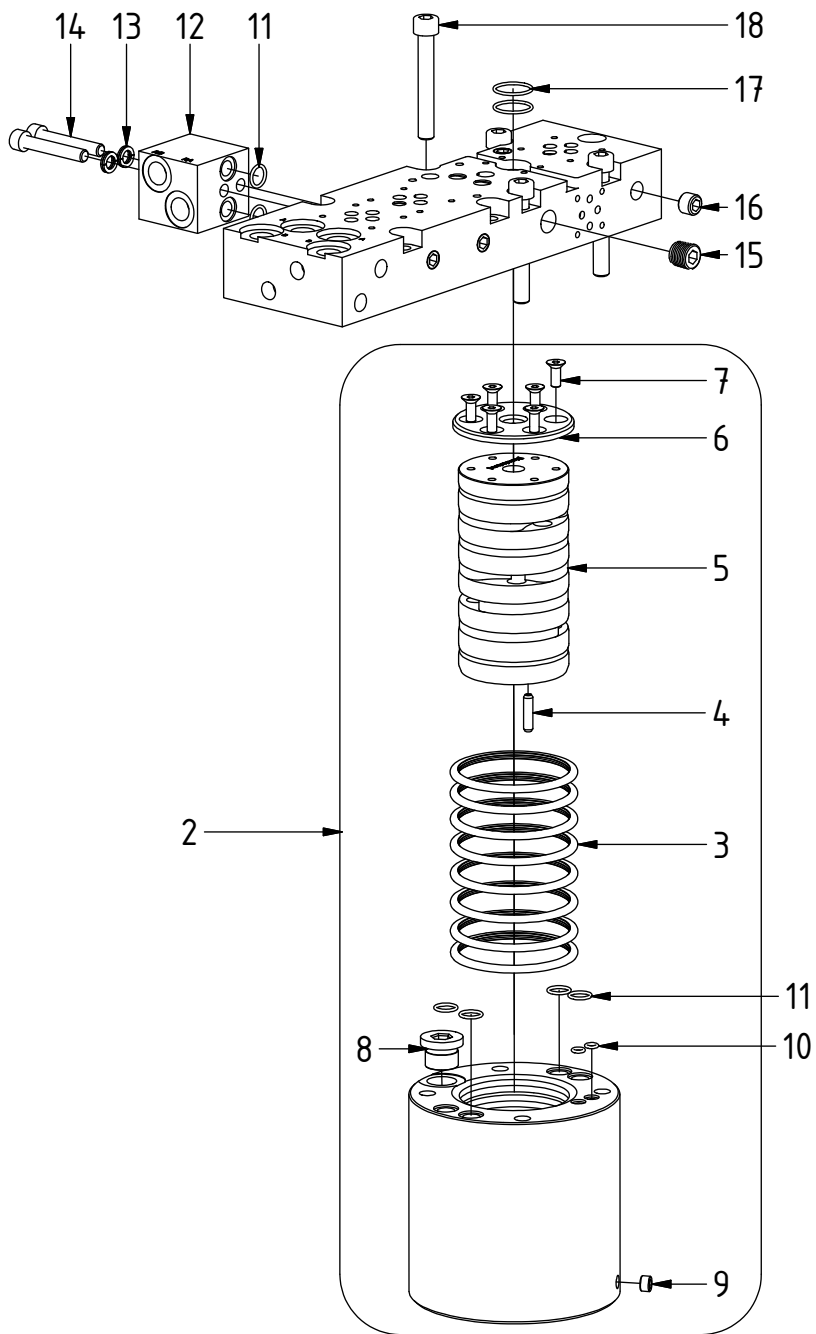
Briefly:

Add seal kit 7000952. (Contains seals and o-rings).

Document changes:

<u>Date:</u>	<u>Change:</u>	<u>Rev. after change:</u>
2021-03-15	Spare parts page added.	D
2017-11-20	Torque and loctite added.	C
2017-07-07	Plug and spring added. Coversheet added.	B

Valve block 5v & Swivel 7-ch ECHF



POS	DESCRIPTION	PART	QTY	COMMENTS
1	Valve block 5v & Swivel 7-ch ECHF	1027386	1	(POS.2, 10-18 included)
2	Swivel 7-ch ECHF complete	1026183	1	(POS.3-9 included)
3	Swivel seal	7000536	8	
4	Slotted spring pin	640403	1	Used from 2015-10
5	Swivel guide	1026182	1	
6	Washer swivel guide	1026243	1	
7	Screw MF6S 6x16	610604	6	
8	Plug 70125-08 (1/2")	711500	1	Used from 2017-06
9	Pipe plug	711507	1	
10	O-ring 6,07x1,78	712422	2	
11	O-ring 12,42x1,78	710973	6	
12	Connection block motor	1024176	1	
13	Washer NL 8 mm	611040	2	
14	MC6S M8x50 12.9	610439	2	
15	Pipe plug 3/8"	711522	1	
16	Pipe plug 1/4"	711508	7	
17	O-ring 21.95x1.78 70sh	710983	2	
18	Screw MC6S 10x70	610461	4	Loctite 2700 Torque: 79Nm

POS in order of assembly

Valve block 5v & Swivel 7-ch ECHF

Related spare parts

POS	DESCRIPTION	PART	QTY	COMMENTS
11	O-ring 12,42x1,78	710973	6	
19	Valveblock 7-channel	1026197	1	Used until 2019 (POS.15-17 included)
20	Connection block ECHF	1026249	1	Used until 2019
21	Washer NL 6mm	611039	4	Used until 2019
22	MC6S M6x55 12.9	610421	4	Used until 2019 Torque: 17Nm

POS in order of assembly

