

Valve block 5v & Swivel 7-ch ECHF

COVERSHEET

Planned document changes:

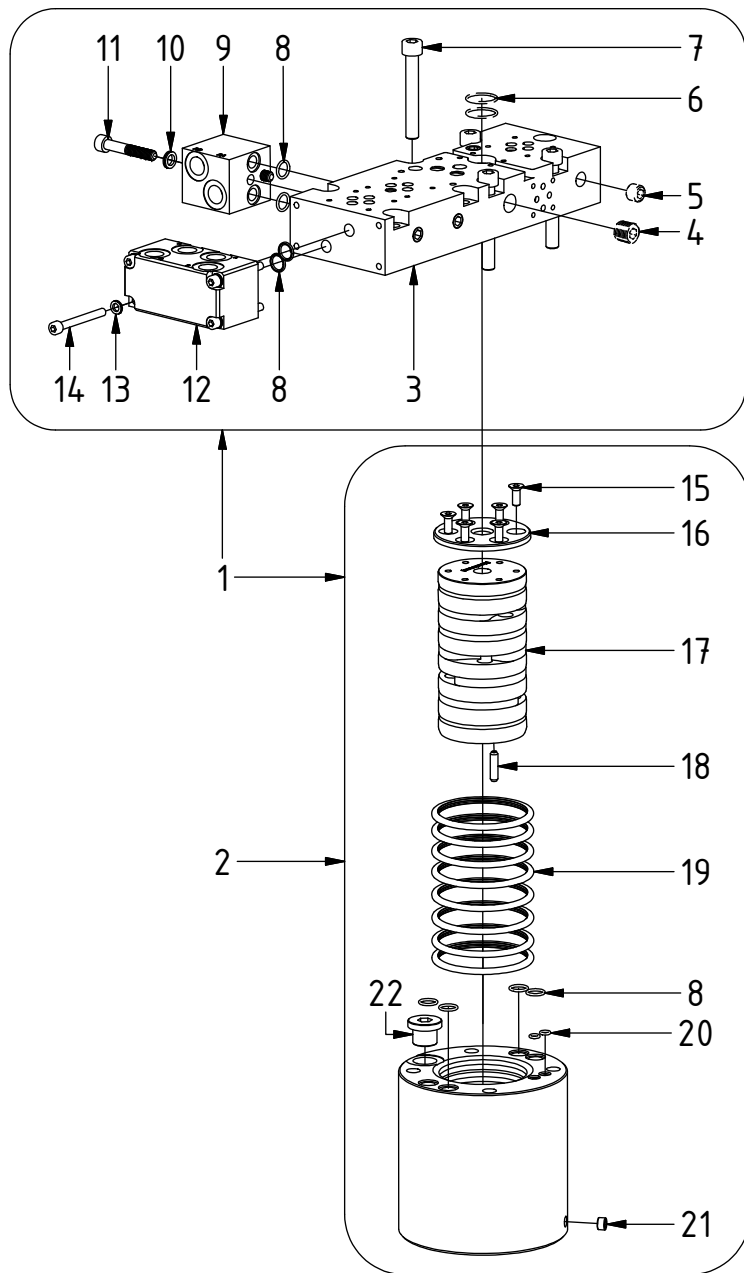
Briefly:

No planned changes

Document changes:

Date:	Change:	Rev. after change:
2017-11-20	Added torque and loctite where needed.	C
2017-07-07	Added new plug and missing spring pin. Coversheet added.	B

Valve block 5v & Swivel 7-ch ECHF



POS	DESCRIPTION	PART	QTY	COMMENTS
1	Valve block 5v & Swivel 7-ch ECHF	1027386	1	(POS.2-3, 7-14 included)
2	Swivel 7-ch ECHF complete	1026183	1	(POS.8, 15-22 included)
3	Valveblock 7-ch	1026197	1	(POS.4-6 included)
4	Pipe plug 3/8"	711522	1	
5	Pipe plug 1/4"	711508	7	
6	O-ring 21.95x1.78 70sh	710983	2	
7	Screw MC6S 10x70	610461	4	Loctite 2700 Torque: 79Nm
8	O-ring 12,42x1,78	710973	8	
9	Connection block motor	1024176	1	
10	Washer NL8	611040	2	
11	Screw MC6S 8x50	610440	2	
12	Anslutningsblock	1026249	1	
13	Washer NL6	611039	4	
14	Screw MC6S 6x55	610421	4	Torque: 17Nm
15	Screw MF6S 6x16	610604	6	
16	Washer swivel guide	1026243	1	
17	Swivel guide	1026182	1	
18	Slotted spring pin	640403	1	Used from 2015-10
19	Swivel seal	7000536	8	
20	O-ring 6,07x1,78	712422	2	
21	Pipe plug	711507	1	
22	Plug 1/2"	711500	1	Used from 2017-06

POS in order of assembly