

COVERSHEET

Planned document changes:

Briefly:

No planned changes.

Document changes:

Date:	Change:	Rev. after change:
2024-09-11	Swivel sealing updated.	E
2021-11-24	Dual relief valve seal kit added.	D
2021-03-015	Torque added.	C
2020-06-24	Slip ring replaced. Spare parts clarified.	B
2018-02-02	Coversheet added.	A
		-

Readers note:

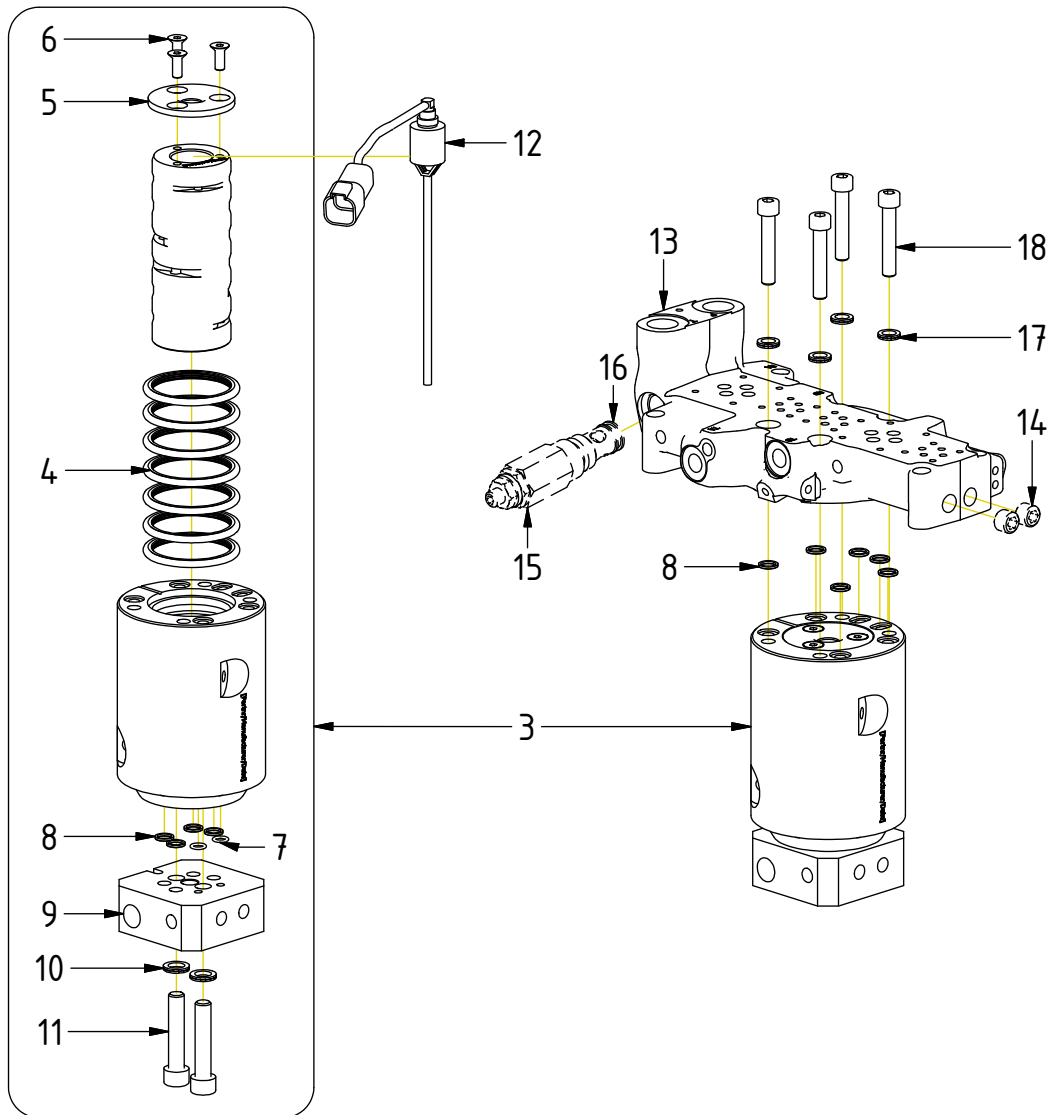
Indicates instruction.



Represents Hose.

Dashed lines for overview, mounts
on other pages/assemblies.

Valve block & Swivel EC206



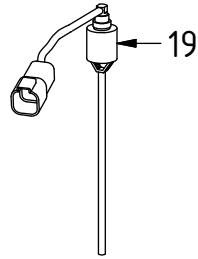
POS	DESCRIPTION	PART	QTY	COMMENTS
1	Valve block 5v & Swivel 6-ch Complete w. slip ring	1031333	1	(POS.3, 12, 8, 13, 17-18 incl.)
2	Valve block 5v & Swivel 6-ch Complete w/o slip ring	1026703	1	(POS.3, 8, 13, 17-18 incl.)
3	Swivel 6-ch for slip ring Complete	1026706	1	(POS.4-11 incl.)
4	Swivel Sealing 50/61x4,2	7001671	7	
5	Wear washer	1026707	1	
6	Screw MF6S 6x16	610604	3	
7	O-ring 6,1x1,6	710954	2	
8	O-ring 9,25x1,78	710901	10	
9	Connection Block EC206	1016582	1	
10	Washer NL 10mm	611041	2	
11	Screw MC6S 10x50 12.9 ZFSLH	611515	2	Torque: 79Nm
12	Kit Slip ring EC206 (QS, S40S)	8001065	1	(Contains connectors and o-rings)
13	Valve block EC206 Complete	1026704	1	(POS.14-15 incl.)
14	Pipe plug 1/4"	711508	2	
15	Dual relief valve	730287	1	
16	Separate seal kit	7001645	1	
17	Washer NL 8mm	611040	4	
18	Screw MC6S 8x45 12.9	610438	4	

POS in order of assembly

SPARE PARTS

POS	DESCRIPTION	PART	QTY	COMMENTS
2	Valve block 5v & Swivel 6-ch Complete w/o slip ring	1026703	1	(POS.3, 8, 13, 17-18 incl.)
12	Kit Slip ring EC206 (QS, S40S)	8001065	1	(Contains connectors and o-rings)
19	Kit Slip ring EC206 (Not S40S compatible)	1036101	1	Replaced by POS.12 from 2020-04 (Contains connectors and o-rings)

POS in order of assembly



1016530 replaced by POS.2 from 2016-10

