

COVERSHEET

Planned document changes:

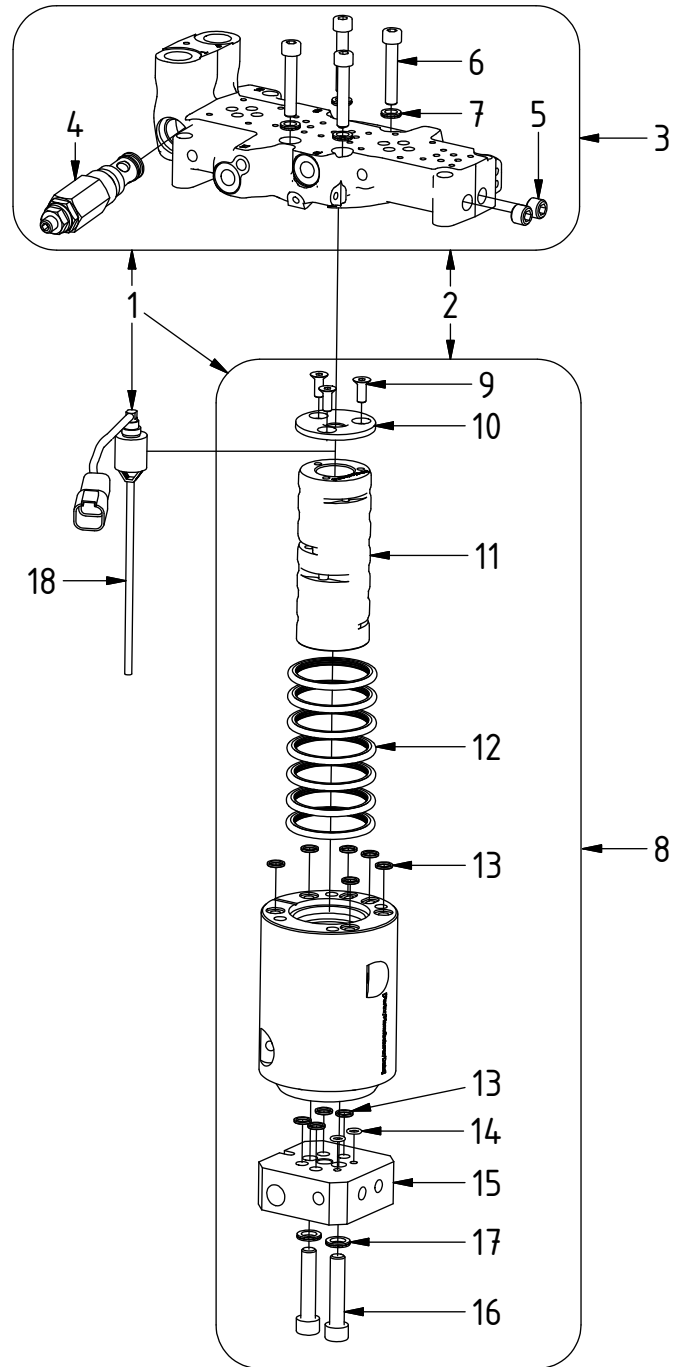
Briefly:

No planned changes.

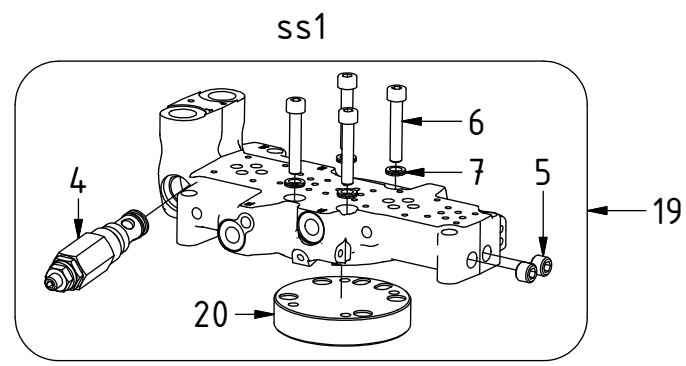
Document changes:

Date:	Change:	Rev. after change:
2021-03-15	Torque added.	C
2020-06-24	Slip ring replaced. Spare parts clarified.	B
2018-02-02	Coversheet added.	A

Valve block 5v & Swivel 6-ch (EC206)



POS	DESCRIPTION	PART	QTY	COMMENTS
1	Valve block 5v & Swivel 6-ch Complete with Slip ring	1031333	1	(POS.3,6,7,8,18 included)
2	Valve block 5v & Swivel 6-ch Complete	1026703	1	(POS.3,6,7,8 included)
3	Valve block for Slip ring	1026704	1	(POS.4-5 included)
4	Dual relief valve	730287	1	
5	Pipe plug 1/4"	711508	2	
6	MC6S M8x45 12.9	610438	4	
7	Washer NL 8mm	611040	4	
8	Swivel Complete for Slip ring	1026706	1	(POS.9-16 included)
9	Skruv MF6S 6x16 10.9	610604	3	
10	Stop Washer EC206	1026707	1	
11	Swivel guide EC206	1016581	1	
12	Seal Swivel	712411	7	
13	O-ring 9,25x1,78	710901	10	
14	O-ring 6,1x1,6	710954	2	
15	Connection Block EC206	1016582	1	
16	MC6S 10x50 12.9 Geomet	611515	2	Torque: 79Nm
17	Washer NL10	611041	2	
18	Slip ring DT EC206	8001065	1	
19	Valve block 5v without swivel	1029392	1	For ss1. (POS.4-7, 20 included)
20	Block ss1 EC206	1029389	1	



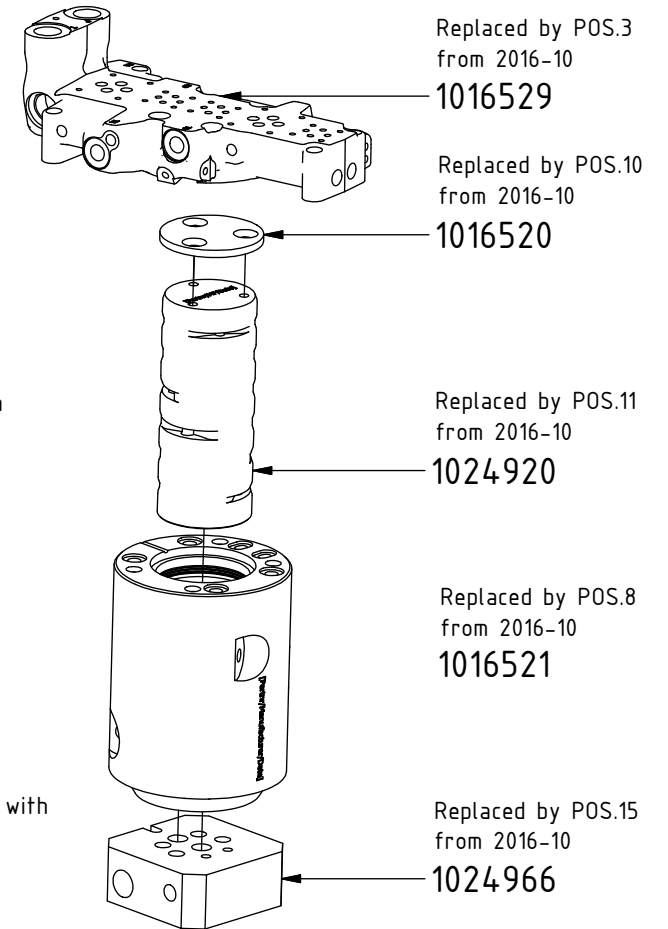
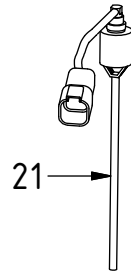
POS in order of assembly

Valve block 5v & Swivel 6-ch (EC206)

Related spare parts

POS	DESCRIPTION	PART	QTY	COMMENTS
3	Valve block for Slip ring	1026704	1	(POS.4-5 included)
8	Swivel Complete for Slip ring	1026706	1	(POS.9-16 included)
10	Stop Washer EC206	1026707	1	
11	Swivel guide EC206	1016581	1	
15	Connection Block EC206	1016582	1	
21	Slip ring DT EC206 (Not S40S compatible)	1036101	1	Replaced by POS.18 from 2020-04

POS in order of assembly



Replacing Swivel guide with current version:
You must also replace the Connection block

Replacing Connection block with current version:
You must also replace the Swivel guide