

## COVERSHEET

## Planned document changes:


**Briefly:**


No planned changes.

## Document changes:

<b>Date:</b>	<b>Change:</b>	<b>Rev. after change:</b>
2024-08-19	Lock cylinder updated. Spare parts updated.	L
2021-12-01	Hook updated.	K
2021-03-04	Plugs excluded from cylinder.	J
2020-05-22	Exceptions for plugs added.	I
2020-03-27	Springs x2 in complete cyl. replaced by long spring.	H
2019-01-16	Spare parts updated.	G
2018-11-28	Lock cylinder replaced. Spare parts updated.	F
2018-06-20	Layout/irrelevant.	E
2018-03-20	QSC & spare parts updated. Coversheet added.	D

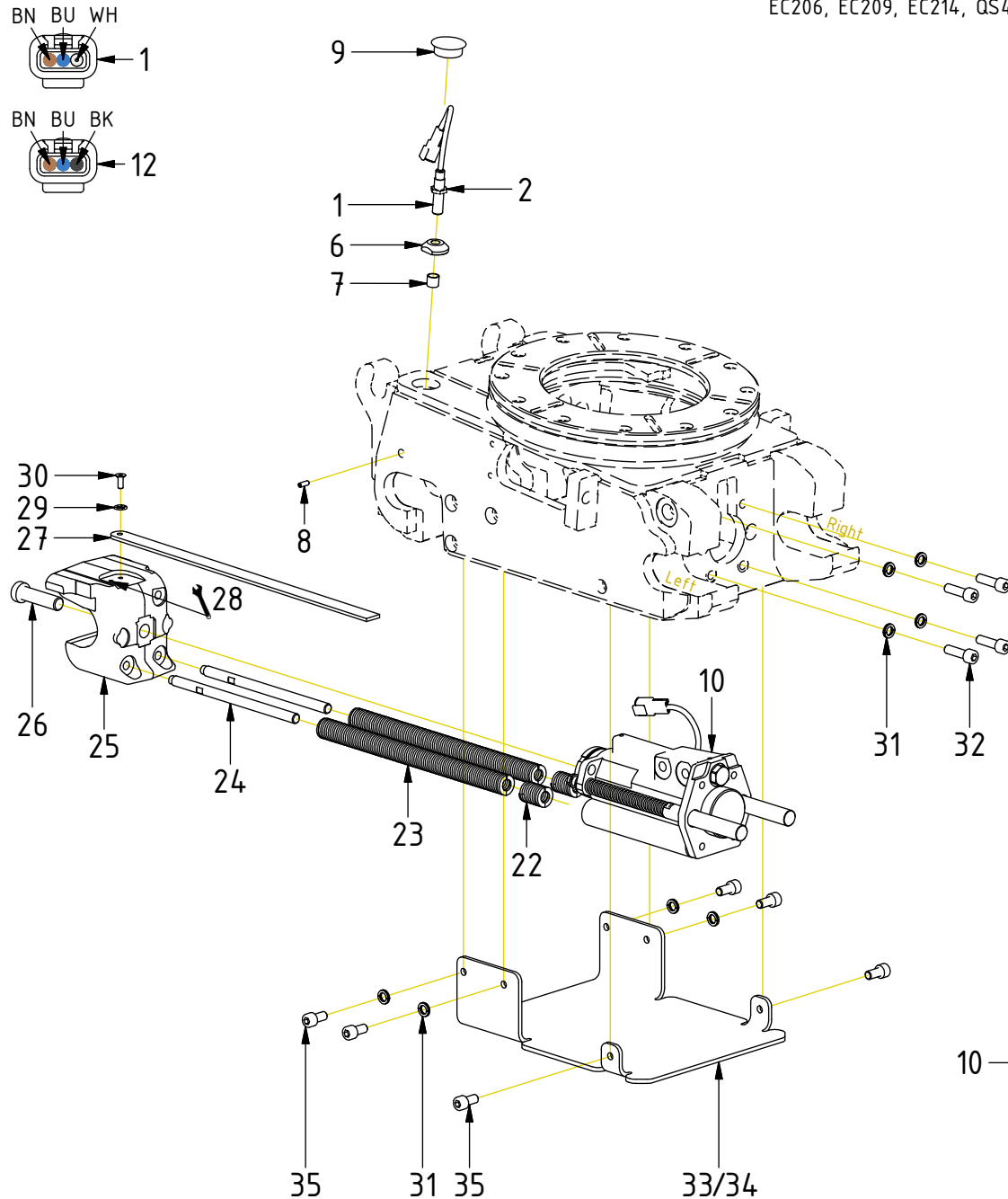
*Readers note:*

 Indicates instruction.

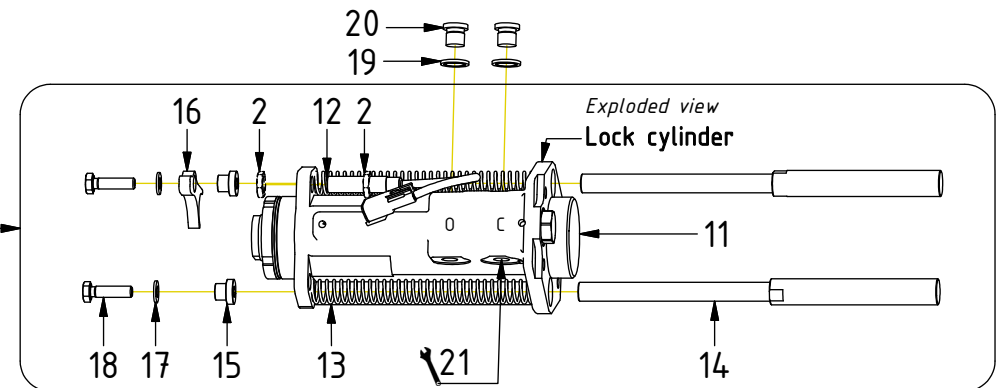
 Represents Hose.

Dashed lines for overview, mounts  
on other pages/assemblies.

# Std. Hitch components - QS45/50



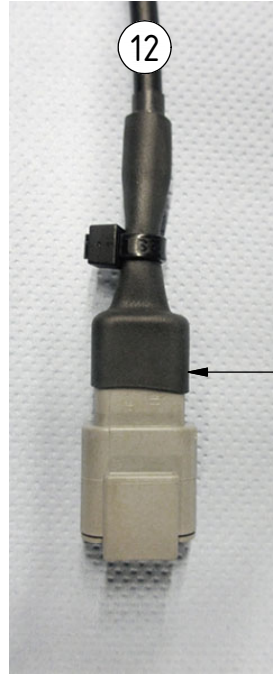
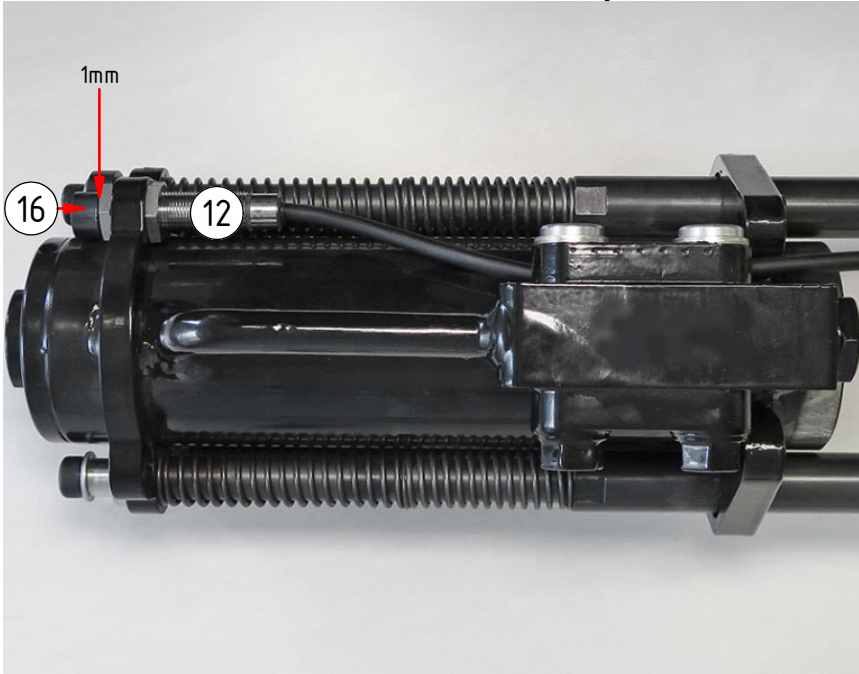
POS	DESCRIPTION	PART	QTY	COMMENTS
1	Inductive sensor QSC (hook)	1040358	1	Mount just below surface edge
2	Hex nut		1	(Incl. with sensor)
6	Position nut, inductive sensor	1029432	1	
7	Protection lid, inductive sensor	8000056	1	
8	Set Screw M8x16	610808	1	
9	Cover plug QS/ECO	8000068	1	
10	Lock cyl. 45/50 V4 Comp. Forg. QSC	1072391	1	(POS.11-18 incl.)
11	Lock cylinder QS45/50 V4 Forged	1067285	1	
12	Inductive sensor QSC (cylinder)	1040359	1	Mount 1mm from Sensor plate
13	Spring 16x175	1049973	2	
14	Ejector QS45/50	1036953	2	
15	Spacer	1036406	2	
16	Sensor Plate	1036988	1	Assemble with slight play
17	Washer BRB8,4x16x1,6	611005	2	
18	Screw M6S M8x30 8,8 FZB	611538	2	Loxeal 83-52
19	Washer GBR04 1/4	710702	2	
20	Plug 153-04 (1/4")	711505	2	
21	EC209 QSD: Opposite side for C EC206: Opposite side for O & C			(POS.19-20)
22	Spring 25x32	1025483	2	
23	Spring 25x305	1024021	2	
24	Steering	1025621	2	Loxeal 83-52
25	Hook V2 QS45/50 Cast	1047545	1	
26	Screw MLC6S M16x60 10.9	610721	1	Loxeal 83-52
27	Indicator pin QS (610mm)	1036201	1	Cut to fit
28	QS45: middle, QS50: outer			
29	Starlock 6mm	6000415	1	
30	Screw MF6S M6x16 10.9 untreated	610604	1	Loxeal 83-52
31	Washer NL 10mm	611041	10	
32	Screw MC6S M10x35 12.9	610494	4	
33	Cover plate QS45 V2 (hole on side)	1037473	1	No cover plate for EC-Oil
34	Cover plate QS50 V2 (hole on side)	1039655	1	No cover plate for EC-Oil
35	Screw MC6S M10x20 12.9 ZFSHL	6000409	8	



POS in order of assembly

## Sensor Cylinder

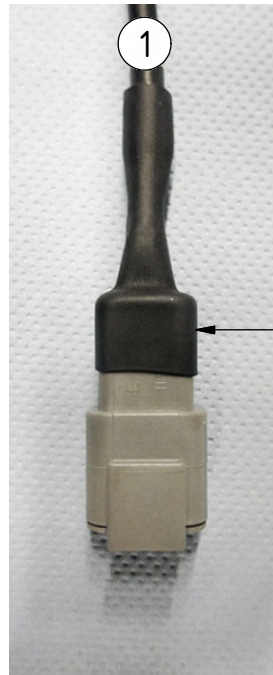
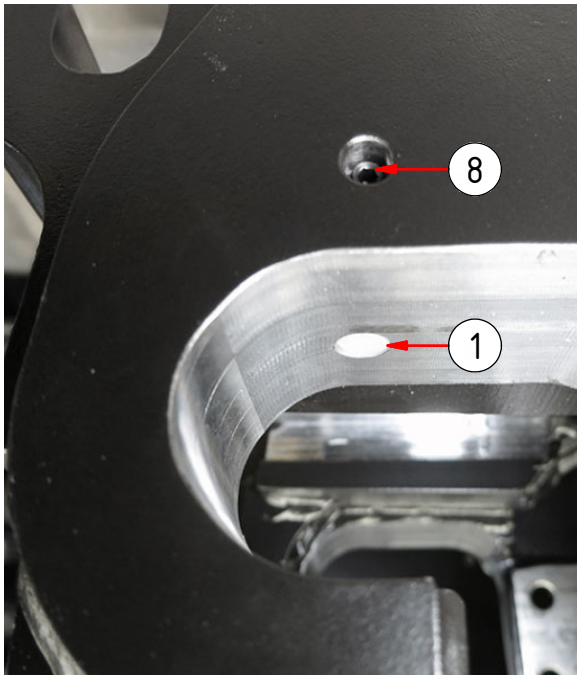
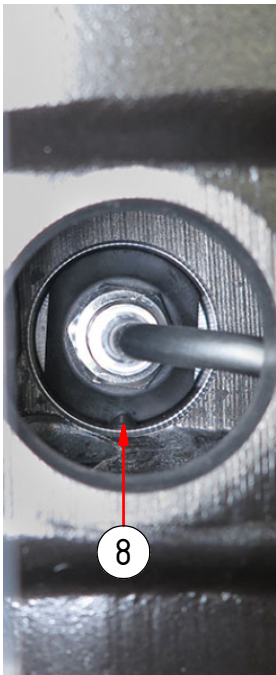
EC206, EC209, EC214, QS45/50



POS	DESCRIPTION	PART	QTY	COMMENTS
1	Inductive sensor QSC (hook)	1040358	1	Mount just below surface edge
3	Apply dielectric compound before inserting wedge. Peel cables 5mm			
4	Shrink tube on both connectors			
5	Cable tie on cylinder connector			
8	Set Screw M8x16	610808	1	
12	Inductive sensor QSC (cylinder)	1040359	1	Mount 1mm from Sensor plate
16	Sensor Plate	1036988	1	Assemble with slight play

POS in order of assembly

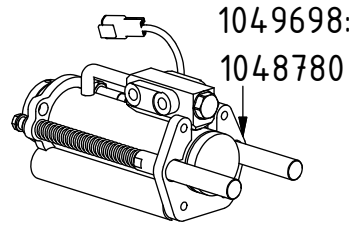
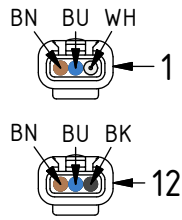
## Sensor Hook



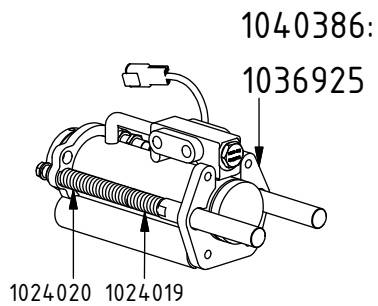
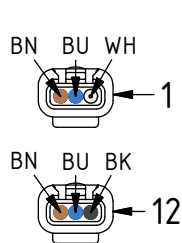
## SPARE PARTS

POS	DESCRIPTION	PART	QTY	COMMENTS
1	Inductive sensor QSC (hook)	1040358	1	Mount just below surface edge
10	Lock cyl. 45/50 V4 Comp. Forg. QSC	1072391	1	(POS.11-18 incl.)
11	Lock cylinder QS45/50 V4 Forged	1067285	1	
12	Inductive sensor QSC (cylinder)	1040359	1	Mount 1mm from Sensor plate
36	Spare part cyl. compl. (without QSC)	1050634	1	Spare part use only
37	Inductive sensor (DTM)	1029068	1	Replaced 2018
38	Inductive sensor (cylinder)	1036833	1	Replaced by POS.12 from 2018-01

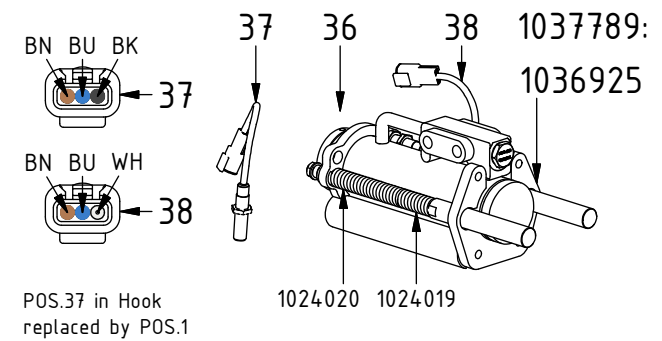
"V4 QSC" replaced by current version from 2024-08



"V3 QSC" replaced by "V4 QSC" from 2018-12



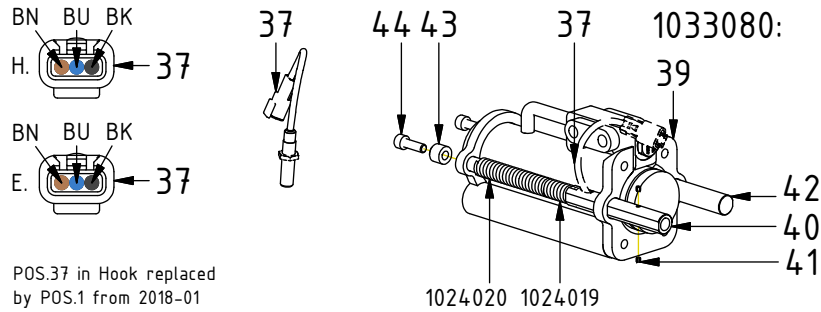
"V3" replaced by "V3 QSC" from 2018-01



## SPARE PARTS

POS	DESCRIPTION	PART	QTY	COMMENTS
1	Inductive sensor QSC (hook)	1040358	1	Mount just below surface edge
10	Lock cyl. 45/50 V4 Comp. Forg. QSC	1072391	1	(POS.11-18 incl.)
11	Lock cylinder QS45/50 V4 Forged	1067285	1	
12	Inductive sensor QSC (cylinder)	1040359	1	Mount 1mm from Sensor plate
14	Ejector QS45/50	1036953	2	
25	Hook V2 QS45/50 Cast	1047545	1	
31	Washer NL 10mm	611041	10	
33	Cover plate QS45 V2 (hole on side)	1037473	1	No cover plate for EC-Oil
34	Cover plate QS50 V2 (hole on side)	1039655	1	No cover plate for EC-Oil
35	Screw MC6S M10x20 12.9 ZFSHL	6000409	8	
37	Inductive sensor (DTM)	1029068	1	Replaced 2018
38	Inductive sensor (cylinder)	1036833	1	Replaced by POS.12 from 2018-01
39	Lock cylinder QS45/50 V2	1027573	1	
40	Ejector with inductive sensor	1029065	1	Replaced by POS.14 from 2017 (POS.37, 41 incl.)
41	Set screw 6SS 4x10	610816	2	
42	Ejector	1025412	1	Replaced by POS.14 from 2017
43	Spacer	1025462	2	
44	Screw MC6S M8x25 12.9 ZFSHL	6000143	2	
45	Cover plate QS45 (holes in back)	1028214	1	Replacd by POS.33. Note holes
46	Cover plate QS50 (holes in back)	1030022	1	Replacd by POS.34. Note holes
47	Inductive sensor without connector	810463	2	Replaced by POS.38 from 2015-04
48	Connector Deutsch DT04-6P	820109	1	Used until 2015-04

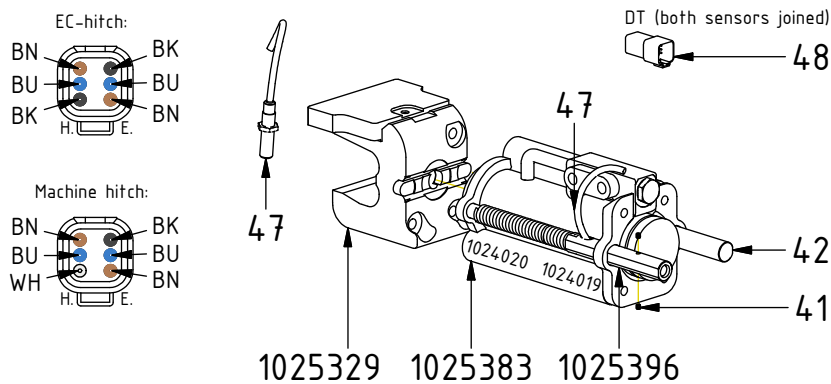
"V2" replaced by "V3" between 2016-2017



POS.37 in Hook replaced by POS.1 from 2018-01

POS.37 on Ejector replaced by POS.38 on cylinder from 2016-08

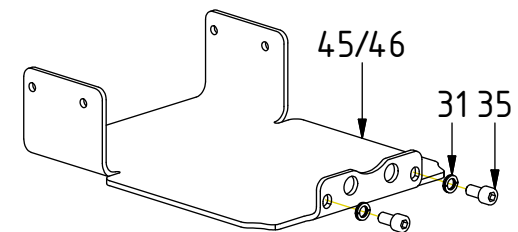
"V1" replaced by "V2" from 2015-04



Replaced by 1029196.  
1029196 replaced by POS.25

Replaced by POS.39

Replaced by POS.33/34 between 2016-2017.



Used on hitches with holes in back.