

COVERSHEET

Planned document changes:

Briefly:

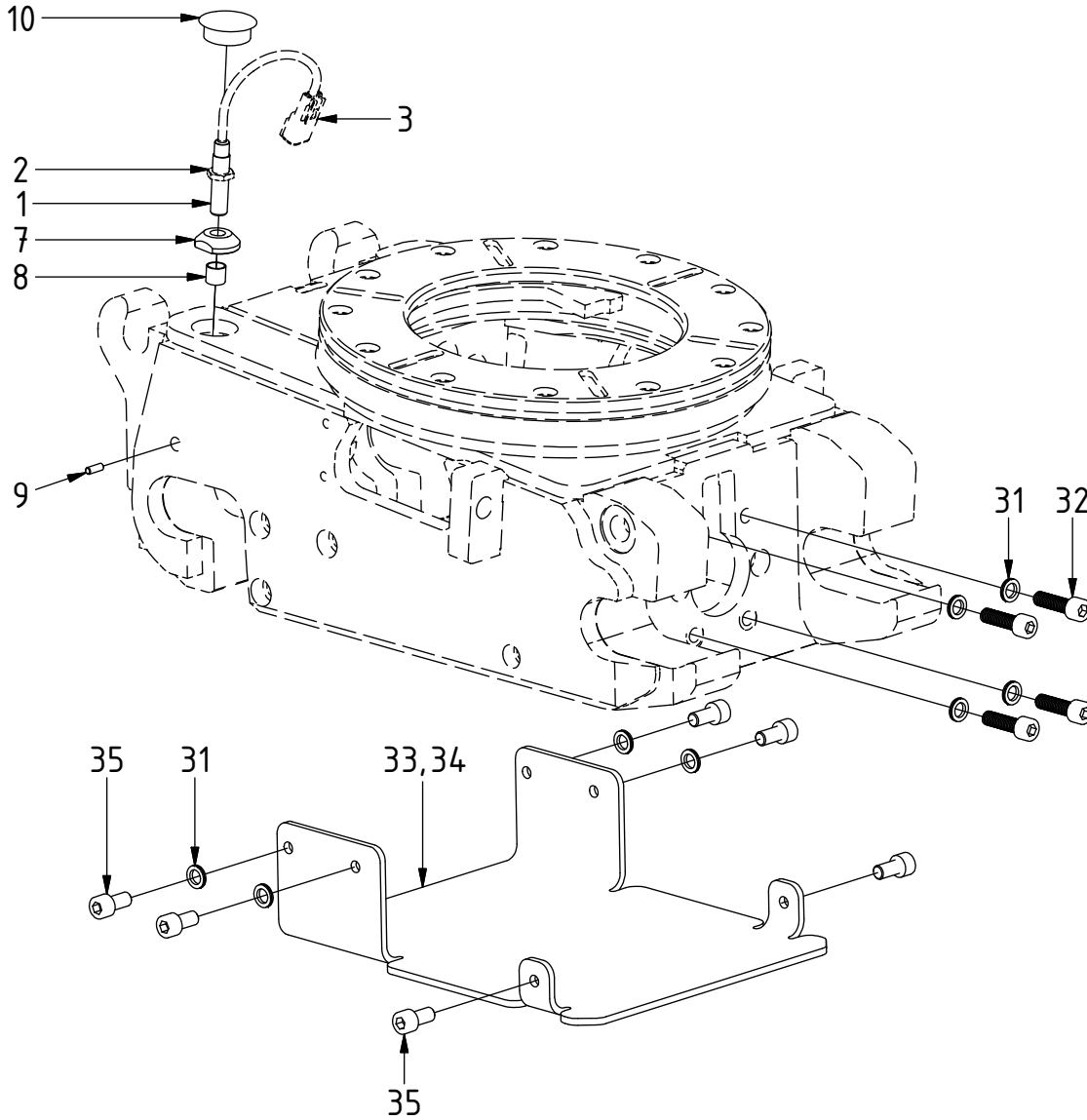
No planned changes.

Document changes:

Date:	Change:	Rev. after change:
2019-01-16	Spare parts updated.	G
2018-11-28	Lock cylinder replaced. New spare parts page added.	F
2018-06-20	Layout/irrelevant.	E
2018-03-20	Major changes to all pages: photos, QSC, spare parts added and/or updated. Coversheet added.	D

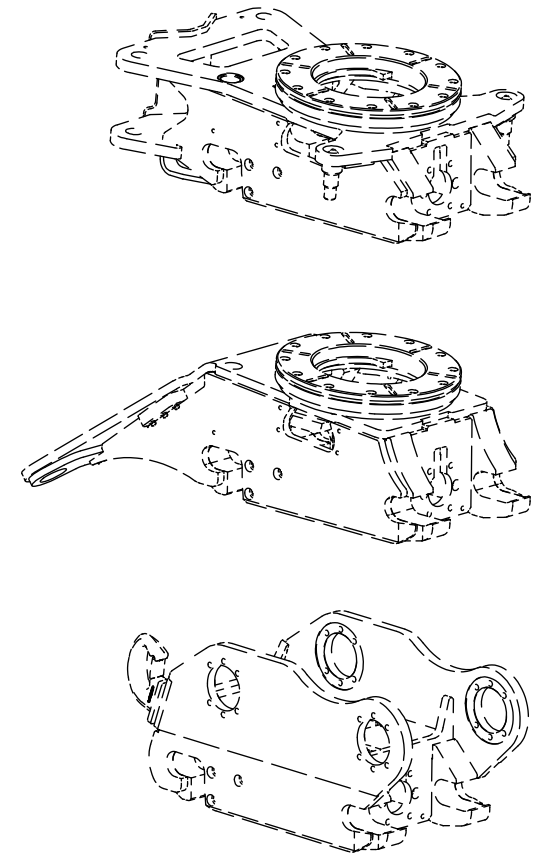
QS45/QS50 - Std components

EC206, EC209, EC214, QS45, QS50



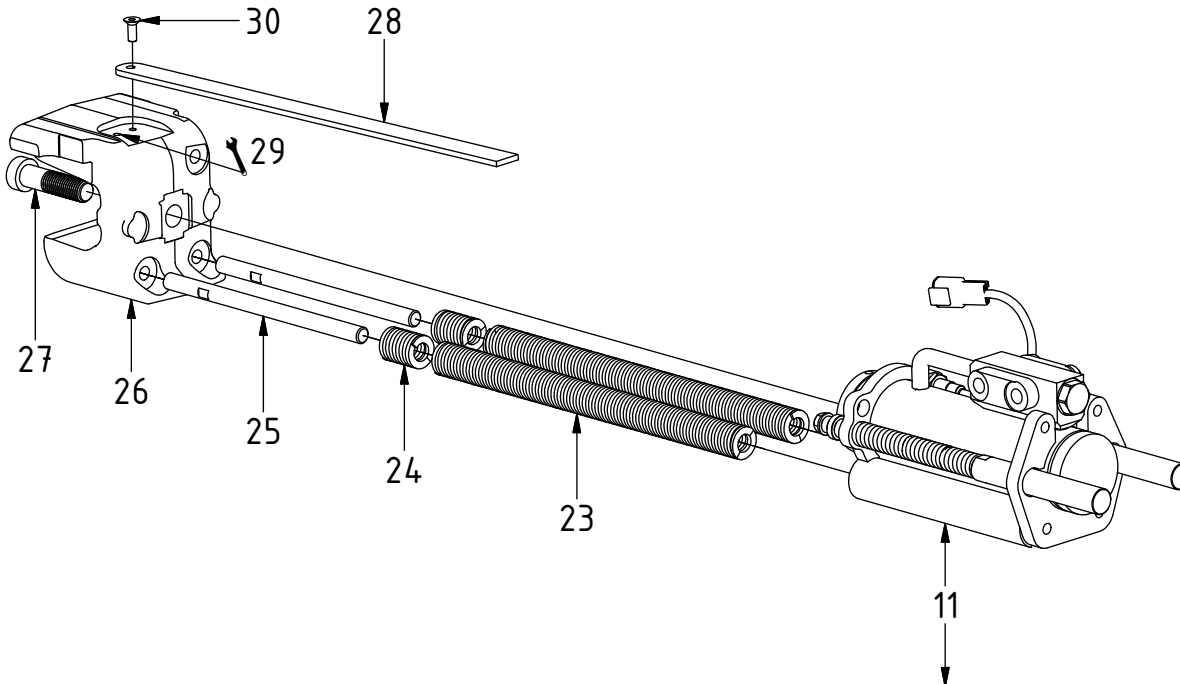
POS	DESCRIPTION	PART	QTY	COMMENTS
1	Inductive sensor QSC (hook)	1040358	1	Mount just below surface edge (POS.2-3 included)
2	Hex nut			(Included with sensor)
3	Connector Deutsch (DTM04-3P)	8000064	2	
7	Position nut, inductive sensor	1029432	1	Used from 2015-04
8	Protection lid, inductive sensor	8000056	1	Used from 2015-08
9	Set Screw M8x16	610808	1	Used from 2015-04
10	Cover plug QS/ECO	8000068	1	
31	Washer NL10	611041	8	QTY: 4 for EC-Oil
32	Screw MC6S 10x35 130793	610494	4	
33	Cover plate QS45 V2 (hole on side)	1037473	1	No cover plate for EC-Oil
34	Cover plate QS50 V2 (hole on side)	1039655	1	No cover plate for EC-Oil
35	Screw MC6S 10x20	610451	6	

POS in order of assembly



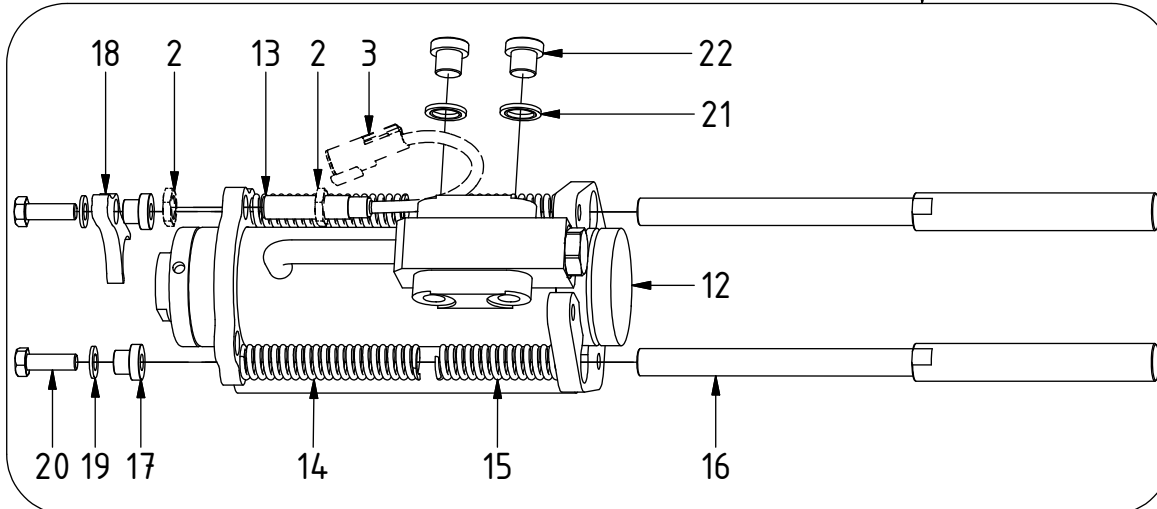
QS45/QS50 - Std components

EC206, EC209, EC214, QS45, QS50

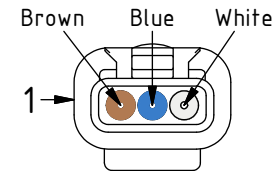


POS	DESCRIPTION	PART	QTY	COMMENTS
1	Inductive sensor QSC (hook)	1040358	1	Mount just below surface edge (POS.2-3 included)
2	Hex nut			(Included with sensor)
3	Connector Deutsch (DTM04-3P)	8000064	2	
11	Lock cyl. QS45/50 V4 Compl. QSC	1049698	1	(POS.12-22 included)
12	Lock cyl. QS45/50 V4	1048780	1	See "Lock cylinders"
13	Inductive sensor QSC (cylinder)	1040359	1	Mount 1mm from Sensor plate (POS.2-3 included)
14	Spring 16x104	1024020	2	
15	Spring 16x71	1024019	2	
16	Ejector QS45/50	1036953	2	
17	Spacer	1036406	2	
18	Sensor Plate	1036988	1	Assemble with slight play
19	Flat Washer	611005	2	
20	Screw M6S 8x25	610124	2	Loctite 2700
21	Sealing washer 1/4"	710702	2	Opposite side for EC206
22	Plug 1/4"	711505	2	Opposite side for EC206
23	Spring 25x305	1024021	2	
24	Spring 25x32	1025483	2	
25	Steering	1025621	2	Loctite 2700
26	Hook QS45/50 cast	1029196	1	
27	Bolt MLC6S 16x60	610721	1	Loctite 2700
28	Indicator pin	1027360	1	Cut to fit
29	QS45: middle, QS50: outer			
30	Screw MF6S 6x16	610604	1	

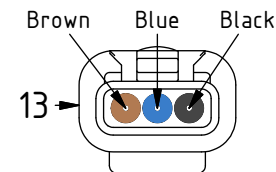
POS in order of assembly



Hook:



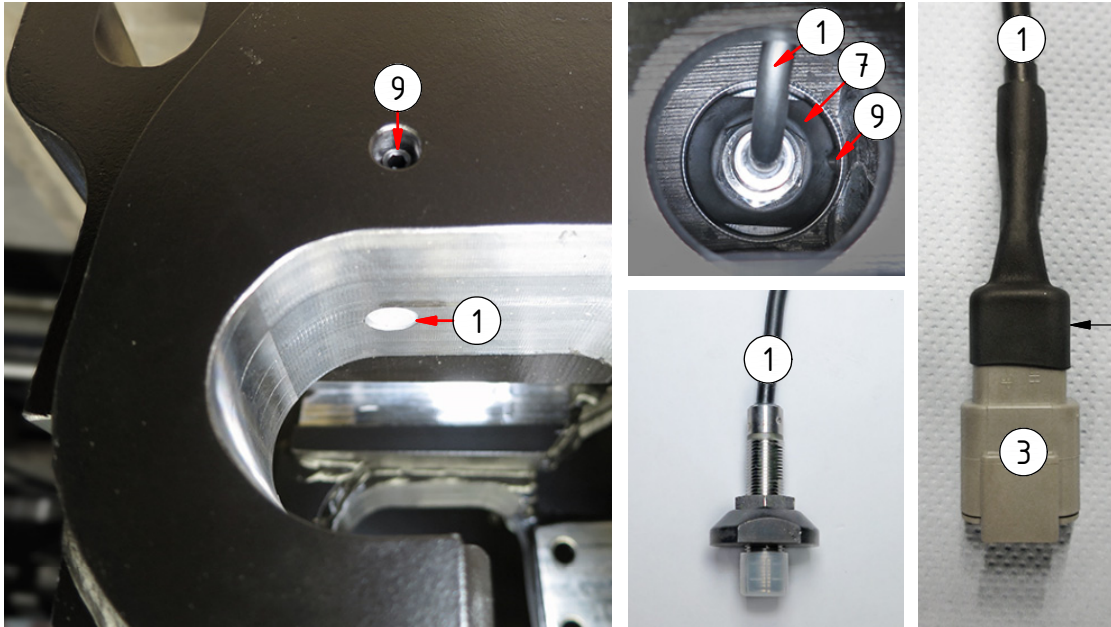
Cylinder:



QS45/QS50 - Std components

EC206, EC209, EC214, QS45, QS50

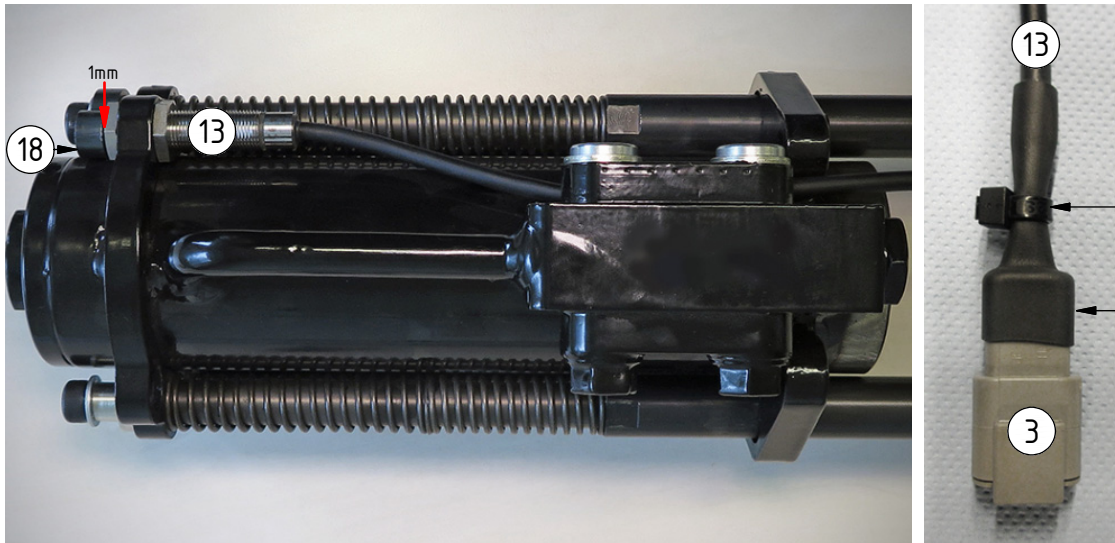
Hook:



POS	DESCRIPTION	PART	QTY	COMMENTS
1	Inductive sensor QSC (hook)	1040358	1	Mount just below surface edge (POS.2-3 included)
3	Connector Deutsch (DTM04-3P)	8000064	2	
4	Apply dielectric compound before inserting wedge. Peel cables 5mm			
5	Shrink tube on both connectors			
6	Cable tie on cylinder connector			
7	Position nut, inductive sensor	1029432	1	Used from 2015-04
9	Set Screw M8x16	610808	1	Used from 2015-04
13	Inductive sensor QSC (cylinder)	1040359	1	Mount 1mm from Sensor plate (POS.2-3 included)
18	Sensor Plate	1036988	1	Assemble with slight play

POS in order of assembly

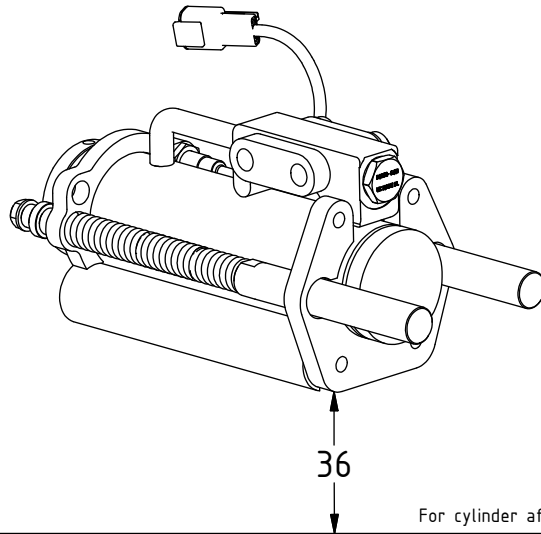
Cylinder:



Related spare parts:

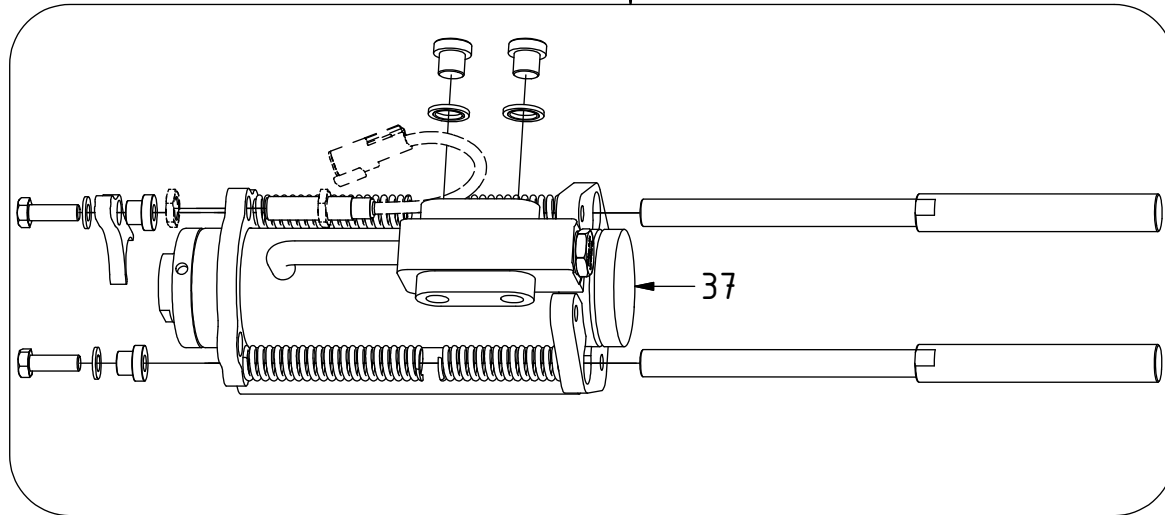
"V3 QSC" Replaced by "V4 QSC" from 2018-12

POS	DESCRIPTION	PART	QTY	COMMENTS
11	Lock cyl. QS45/50 V4 Compl. QSC	1049698	1	(POS.12-22 included)
12	Lock cyl. QS45/50 V4	1048780	1	See "Lock cylinders"
36	Lock cyl. QS45/50 V3 Compl. QSC	1040386	1	Replaced by POS.11 from 2018-12 (POS.13-22, 37 included)
37	Lock cyl. QS45/50 V3	1036925	1	Replaced by POS.12 from 2018-12



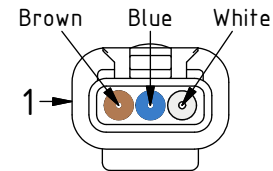
36

For cylinder after 2018-01 *without* QSC: use 1050634

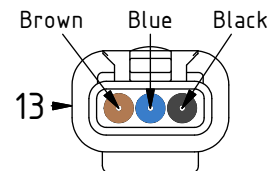


37

Hook:

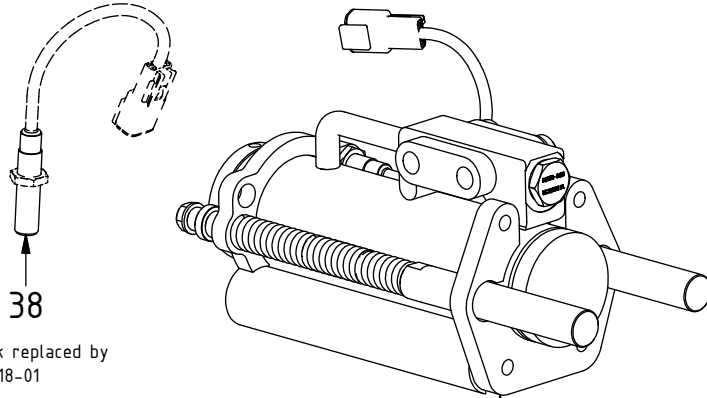


Cylinder:

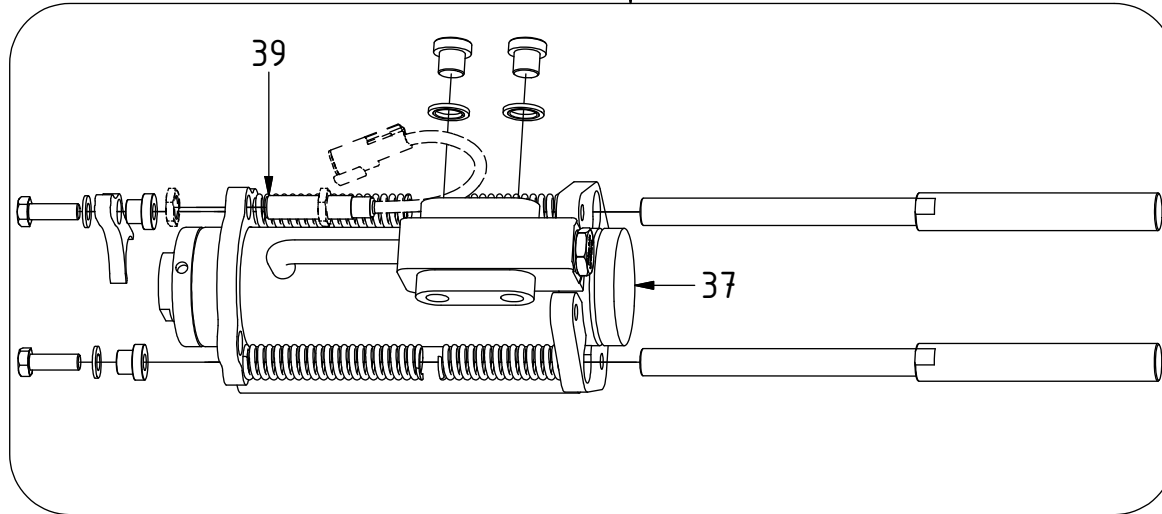


Related spare parts:

"V3" Replaced by "V3 QSC" from 2018-01

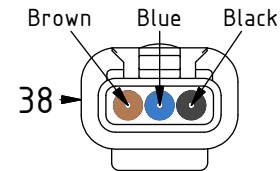


1037789 Used on models not QSC-ready until 2018-01, note connectors. Replaced by POS.36 from 2018-01
 For cylinder after 2018-01 **without** QSC: use 1050634

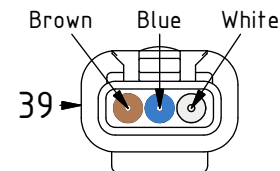


POS	DESCRIPTION	PART	QTY	COMMENTS
1	Inductive sensor QSC (hook)	1040358	1	Mount just below surface edge (POS.2-3 included)
12	Lock cyl. QS45/50 V4	1048780	1	See "Lock cylinders"
13	Inductive sensor QSC (cylinder)	1040359	1	Mount 1mm from Sensor plate (POS.2-3 included)
36	Lock cyl. QS45/50 V3 Compl. QSC	1040386	1	Replaced by POS.11 from 2018-12 (POS.13-22, 37 included)
37	Lock cyl. QS45/50 V3	1036925	1	Replaced by POS.12 from 2018-12
38	Inductive sensor (DTM)	1029068	1	Replaced 2018. (POS.2-3 included) Mount just below surface edge
39	Inductive sensor (cylinder)	1036833	1	Replaced by POS.13 from 2018-01 Mount 1mm from Sensor plate (POS.2-3 included)
52	Lock cyl. QS45/50 V4 Compl. (Spare part only)	1050634	2	Replaces 1037789. Used without QSC (POS.12, 14-22, 39 included)

Hook:



Cylinder:

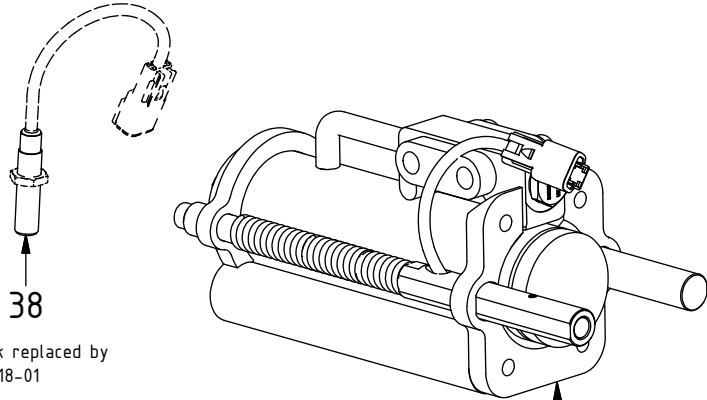


QS45/QS50 - Std components

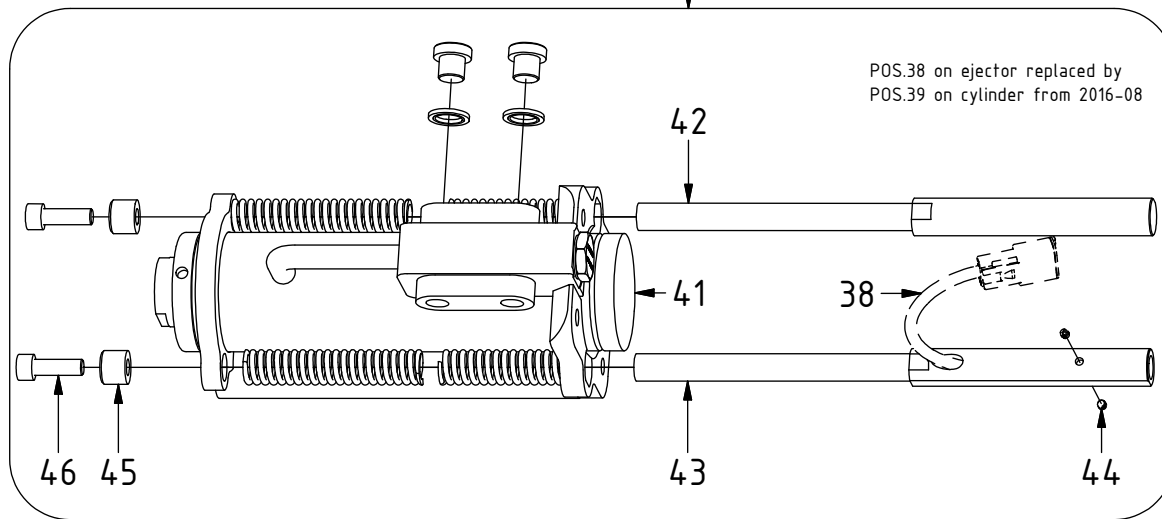
EC206, EC209, EC214, QS45, QS50

Related spare parts:

"V2" Replaced by "V3" between 2016-2017



POS.38 in hook replaced by POS.1 from 2018-01

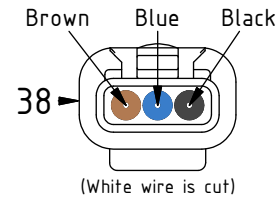


POS.38 on ejector replaced by POS.39 on cylinder from 2016-08

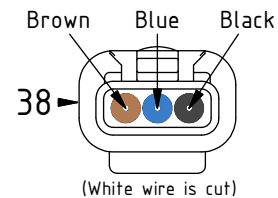
POS	DESCRIPTION	PART	QTY	COMMENTS
1	Inductive sensor QSC (hook)	1040358	1	Mount just below surface edge (POS.2-3 included)
16	Ejector QS45/50	1036953	2	
31	Washer NL10	611041	8	QTY: 4 for EC-Oil
33	Cover plate QS45 V2 (hole on side)	1037473	1	No cover plate for EC-Oil
34	Cover plate QS50 V2 (hole on side)	1039655	1	No cover plate for EC-Oil
35	Screw MC6S 10x20	610451	6	
37	Lock cyl. QS45/50 V3	1036925	1	Replaced by POS.12 from 2018-12
38	Inductive sensor (DTM)	1029068	1	Replaced 2018. (POS.2-3 included) Mount just below surface edge
39	Inductive sensor (cylinder)	1036833	1	Replaced by POS.13 from 2018-01 Mount 1mm from Sensor plate (POS.2-3 included)
40	Lock cyl. QS45/50 V2 Compl.	1033080	2	Replaced by 1037789 from 2017 (POS.14-15, 21-22, 41-43, 45-46)
41	Lock cyl. QS45/50 V2	1027573	1	Replaced by POS.37 from 2017
42	Ejector	1025412	1	Replaced by POS.16 from 2017
43	Ejector with inductive sensor	1029065	1	Replaced by POS.16 from 2017 (POS.38, 44 included)
44	Set screw 6SS 4x10	610816	2	
45	Spacer	1025462	2	
46	Screw MC6S 8x25	610434	2	
47	Cover plate QS45 (holes in back)	1028214	1	Replaced by POS.33. Note holes.
48	Cover plate QS50 (holes in back)	1030022	1	Replaced by POS.34. Note holes.

POS in order of assembly

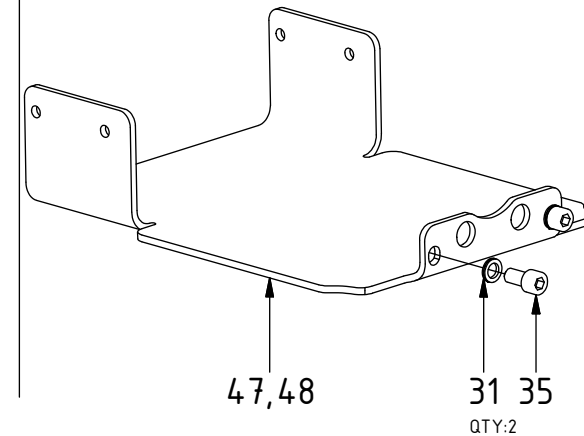
Hook:



Cylinder:



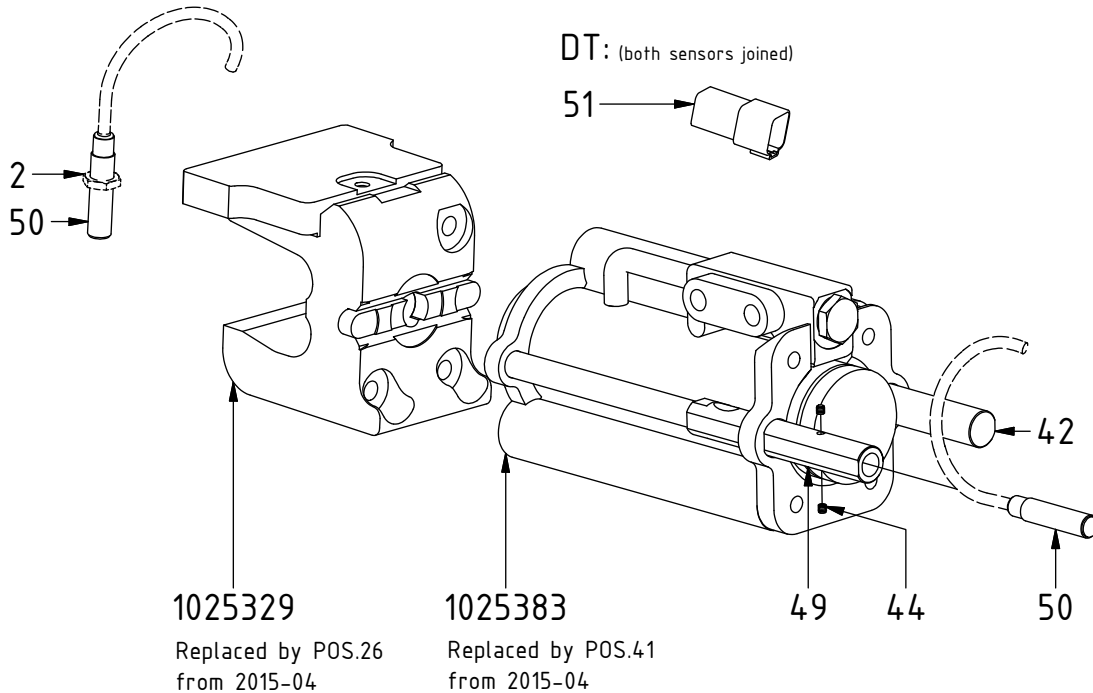
Replaced by POS.33/34 between 2016-2017.
Used on hitches with holes in back.



QS45/QS50 - Std components

Related spare parts:

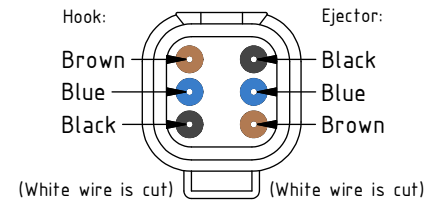
"V1" Replaced by "V2" from 2015-04



POS	DESCRIPTION	PART	QTY	COMMENTS
2	Hex nut			(Included with sensor)
3	Connector Deutsch (DTM04-3P)	8000064	2	
16	Ejector QS45/50	1036953	2	
26	Hook QS45/50 cast	1029196	1	
38	Inductive sensor (DTM)	1029068	1	Replaced 2018. (POS.2-3 included) Mount just below surface edge
41	Lock cyl. QS45/50 V2	1027573	1	Replaced by POS.37 from 2017
42	Ejector	1025412	1	Replaced by POS.16 from 2017
43	Ejector with inductive sensor	1029065	1	Replaced by POS.16 from 2017 (POS.38, 44 included)
44	Set screw 6SS 4x10	610816	2	
49	Ejector for inductive sensor	1025396	2	Replaced by POS.43 from 2015-04
50	Inductive sensor without contact (for threaded holes)	810463	2	Replaced by POS.38 from 2015-04
51	Connector Deutsch DT04-6P	820109	1	Replaced by POS.3 from 2015-04

POS in order of assembly

EC-hitch:



Machine hitch:

