

COVERSHEET

Planned document changes:

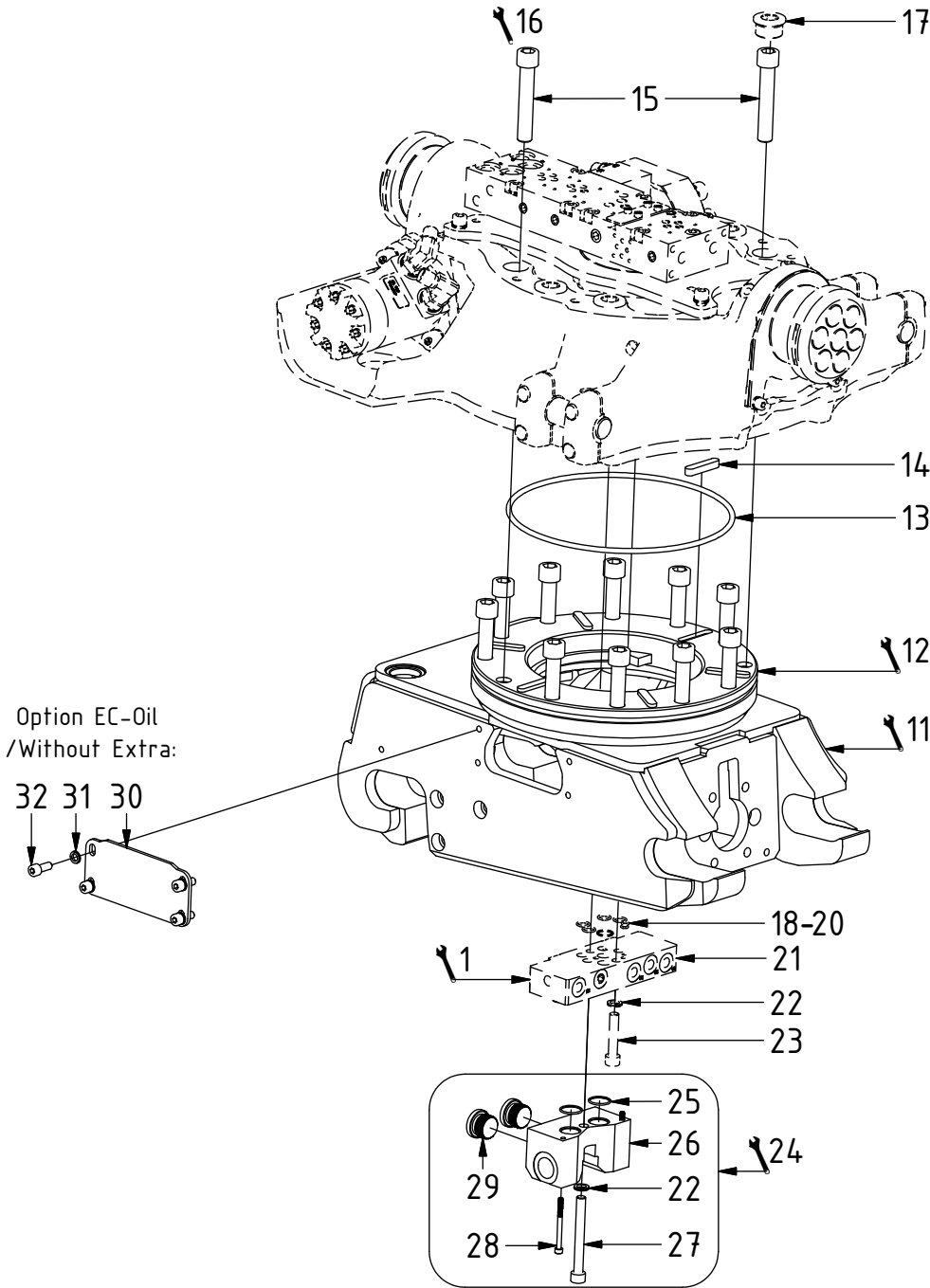
Briefly:

No planned changes.

Document changes:

Date:	Change:	Rev. after change:
2018-06-18	Layout/irrelevant.	D
2017-09-25	Layout/irrelevant.	C
2017-08-16	Both quick hitches expired. Coversheet added.	B

EC214 - QS45/QS50

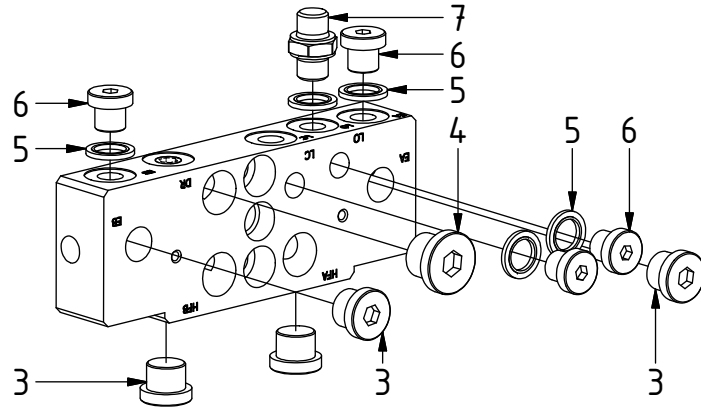


Option EC-Oil
/Without Extra:

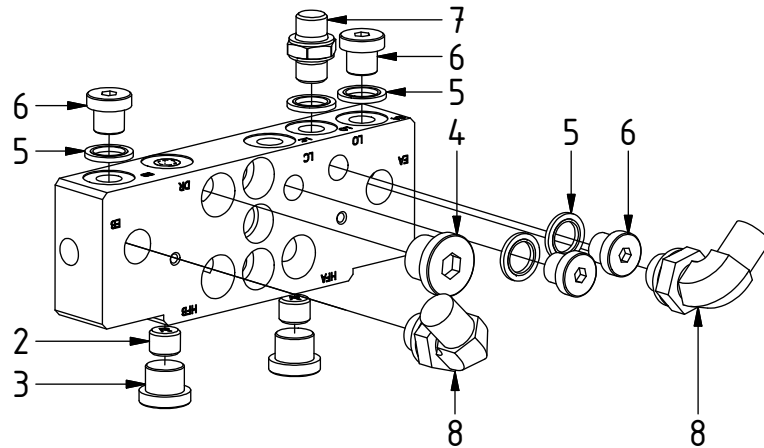
POS	DESCRIPTION	PART	QTY	COMMENTS
1	See p.3 connection block config.			
4	Plug 1/2"	711500	1	
11	QS45 & QS50 used until 2017-08			See p.7 for information
12	Grease the ring			
13	O-ring 249,3x5,7	712424	1	
14	Feather Key	650102	6	
15	Socket Head Screw 16x90	610530	12	Torque: 333Nm
16	Torque tighten quick hitch to rotator frame, six holes. Rotate to access the remaining holes			
17	Pipe plug M30x1,5	650410	6	
18	O-ring 15,6x1,78	710912	1	Part of rotator frame assembly
19	O-ring 12,42x1,78	710973	4	Part of rotator frame assembly
20	O-ring 6,07x1,78	712422	2	Part of rotator frame assembly
21	Connection block	1028391	1	Part of rotator frame assembly
22	Washer NL10	611041	2	Part of rotator frame assembly
23	Socket Head Screw 10x50	610457	2	Part of rotator frame assembly QTY: 2 for EC-Oil
24	Does not apply to EC-Oil			See p.4 for instruction
25	O-ring 20,35x1,78 70 shore	710974	2	
26	Extra block 3/4" ECHF	1031934	1	
27	Socket Head Screw 10x90	610465	1	
28	Socket Head Screw 5x60	610409	2	Torque: 9,7Nm
29	Plug 3/4"	711532	2	QTY: 4 for EC214 Without Extra
30	Small Cover plate EC-Oi	1025118	2	
31	Washer NL8	611040	8	
32	Socket Head Screw 8x20	610433	8	

POS	DESCRIPTION	PART	QTY	COMMENTS
2	Pipe plug 1/4"	711508	2	Loctite 5400
3	Plug 3/8"	711504	4	QTY: 2 for Dbl.Extra
4	Plug 1/2"	711500	1	
5	Sealing washer 1/4"	710702	11	
6	Plug 1/4"	711505	4	
7	Adapter 1/4"	710135	2	
8	Adapter 90° 3/8"	710152	2	
9	Sealing washer 1/2"	710704	2	
10	Adapter 1/2"	710108	2	

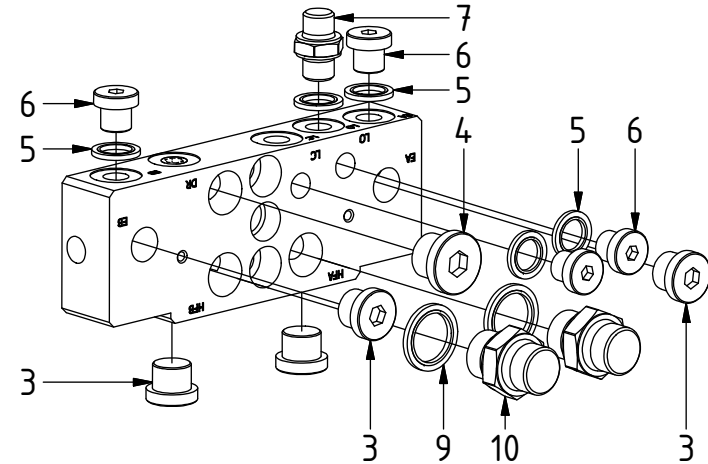
Standard:



Dbl.Extra:

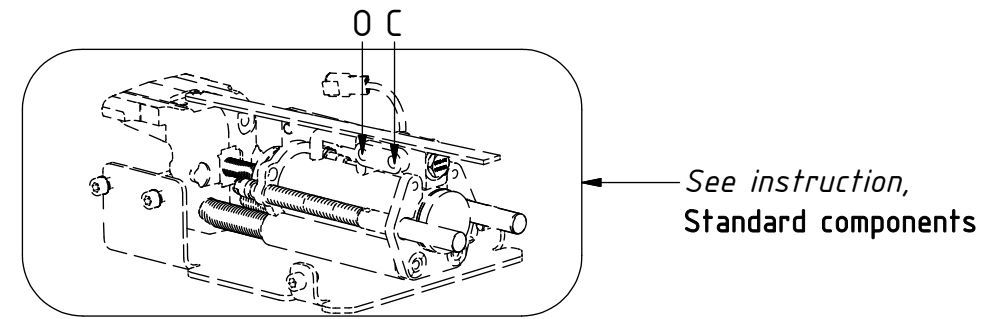
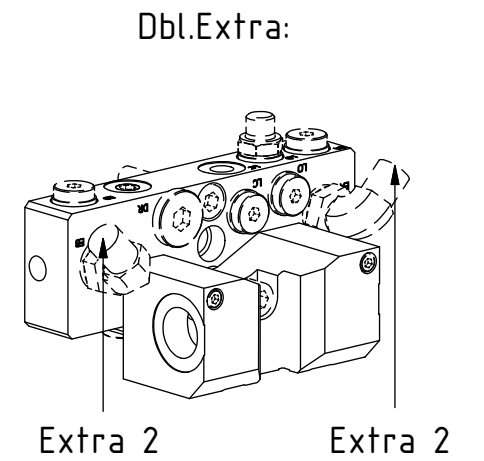
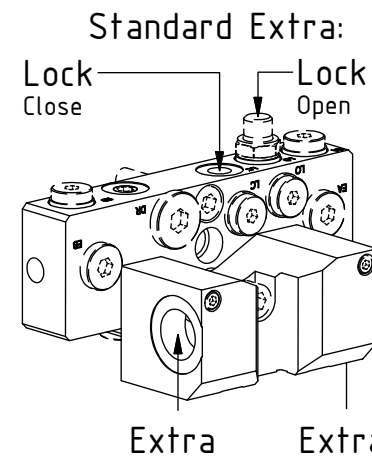
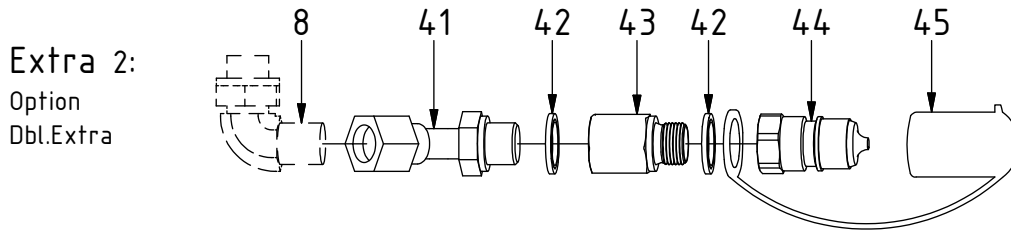
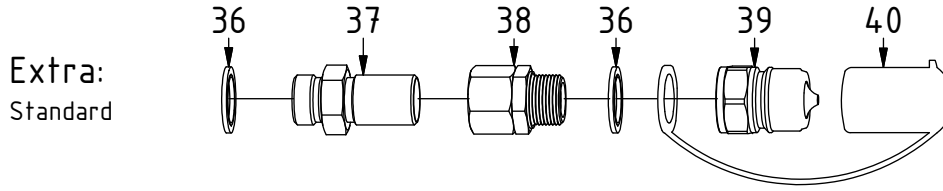
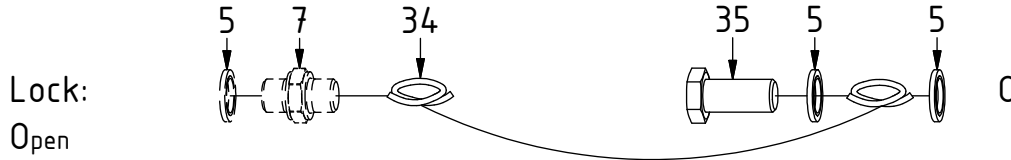
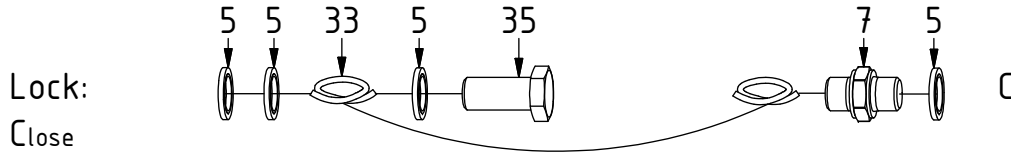


EC-Oil:



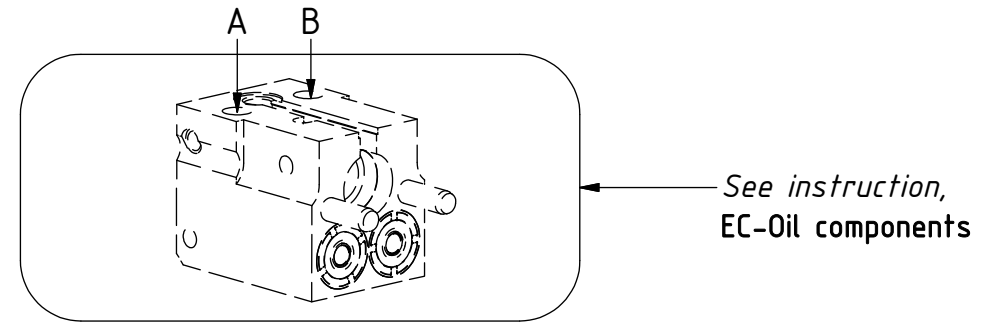
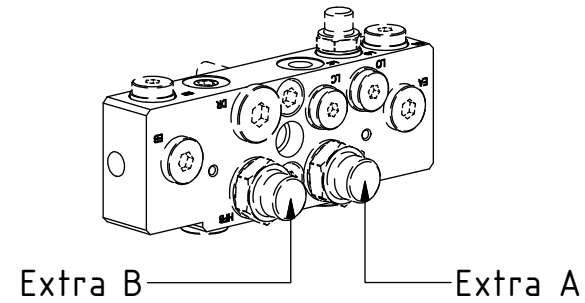
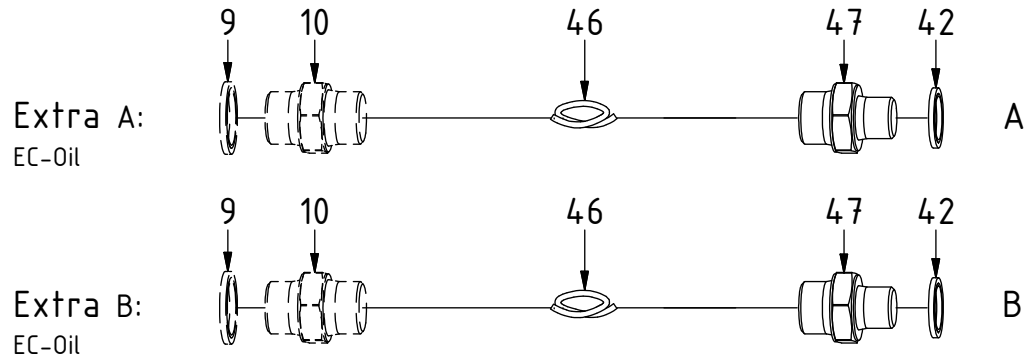
EC214 - QS45/QS50

POS	DESCRIPTION	PART	QTY	COMMENTS
5	Sealing washer 1/4"	710702	11	
7	Adapter 1/4"	710135	2	
8	Adapter 90° 3/8"	710152	2	
33	Hose Lock Short	742801	1	
34	Hose Lock Long	742802	1	
35	Banjobolt 1/4"	710271	2	
36	Sealing washer 3/4"	710706	4	
37	Bulkhead adapter 3/4"	712210	2	
38	Adapter 3/4"	710218	2	
39	Quick coupling 3/4"	790193	2	
40	Dust protection 3/4"	790195	2	
41	Adapter 45°	710164	2	
42	Sealing washer 3/8"	710703	4	QTY: 2 for EC-Oil
43	Adapter 3/8"	710131	2	
44	Quick coupling 3/8"	790113	2	
45	Dust protection 3/8"	790120	2	

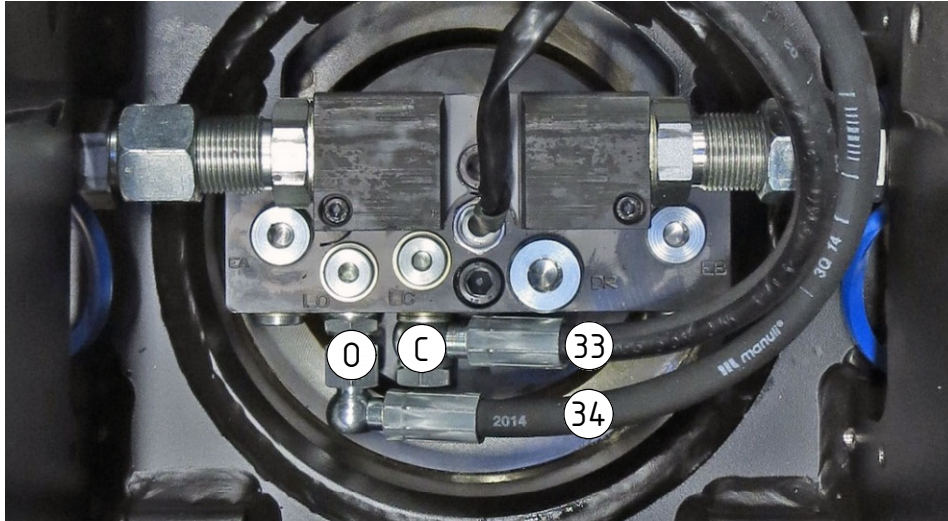


EC-Oil

POS	DESCRIPTION	PART	QTY	COMMENTS
9	Sealing washer 1/2"	710704	2	
10	Adapter 1/2"	710108	2	
42	Sealing washer 3/8"	710703	4	QTY: 2 for EC-Oil
46	Hose Extra (EC-Oil)	7000151	2	
47	Adapter 139-06-08	710122	2	

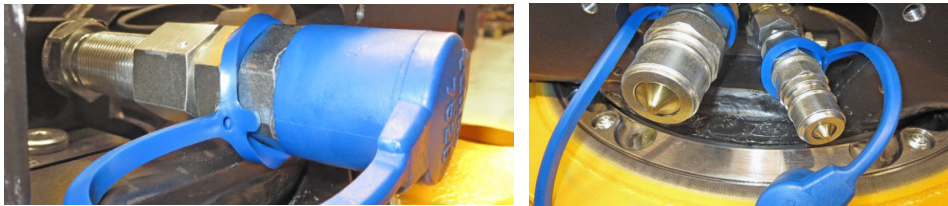


Standard:

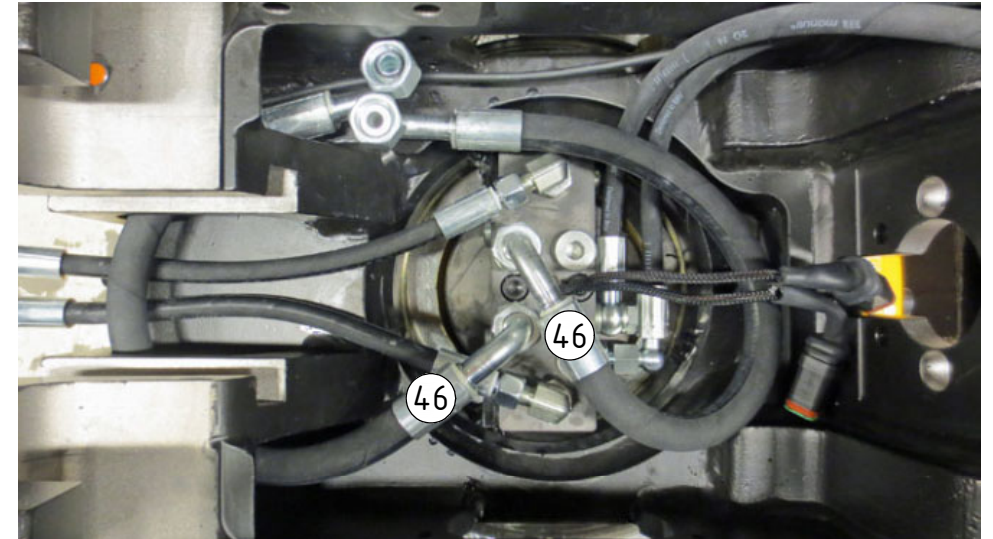
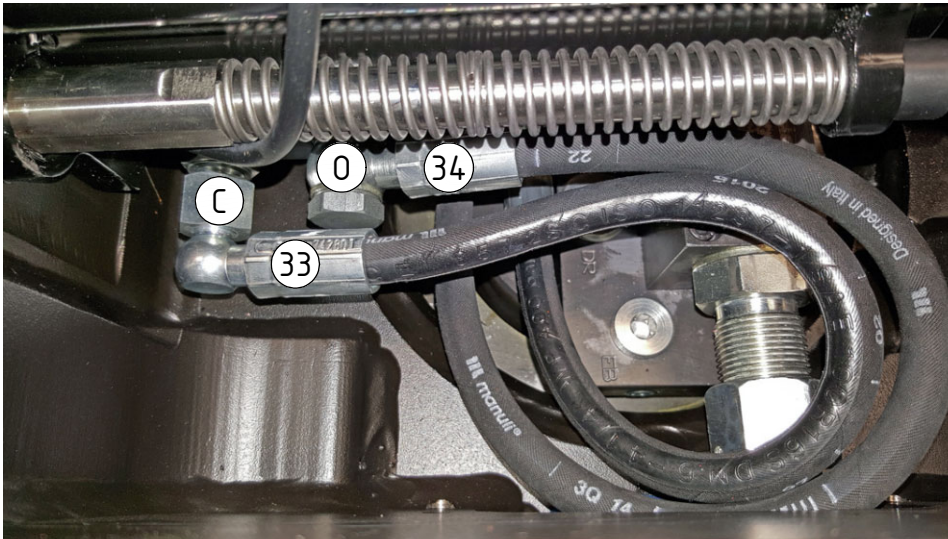


POS	DESCRIPTION	PART	QTY	COMMENTS
33	Hose Lock Short	742801	1	
34	Hose Lock Long	742802	1	
46	Hose Extra (EC-Oil)	7000151	2	

Dbl.Extra:

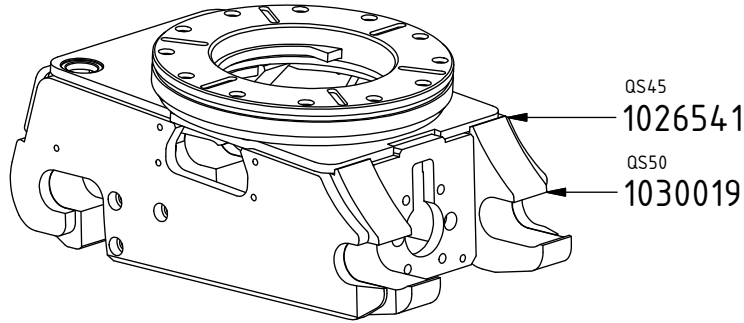


EC-Oil:



Related spare parts:

Used until 2017-08



POS	DESCRIPTION	PART	QTY	COMMENTS
9	Sealing washer 1/2"	710704	2	
10	Adapter 1/2"	710108	2	
31	Washer NL8	611040	8	
32	Socket Head Screw 8x20	610433	8	
48	Hose Extra	743008	2	
49	Holder extra	1025119	2	
50	Bulkhead adapter nut 1/2"	710254	2	
51	Bulkhead adapter 1/2"	710244	2	
52	Quick coupling 1/2"	790115	2	
53	Dust protection 1/2"	790121	2	

Replaced by QSD45 & QSD50, see separate instruction

Used until 2015-05

