

COVERSHEET

Planned document changes:

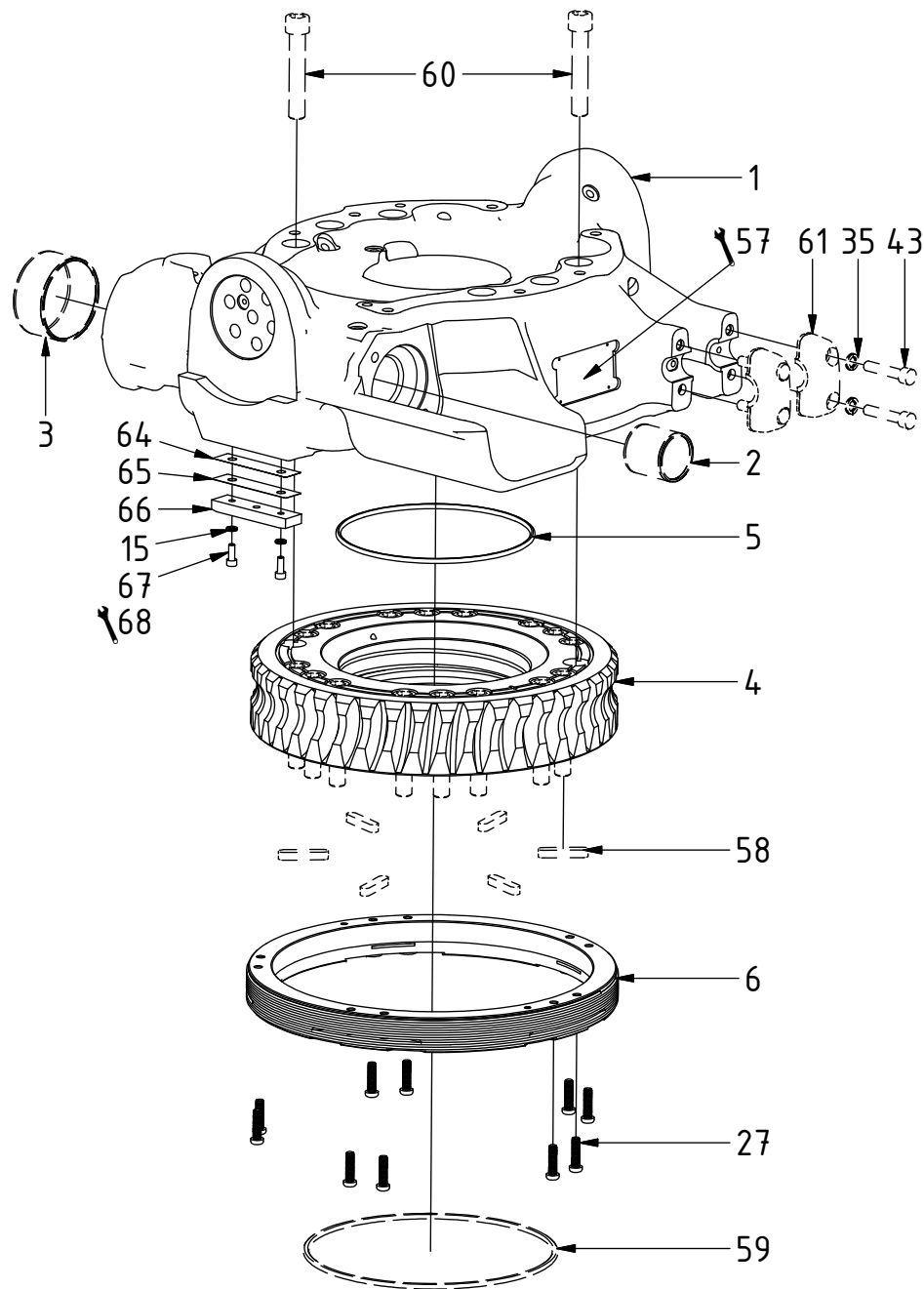
Briefly:

Add Loxeal 83-52 to POS.9 (magnet spacer).
POS.5 replaced by 7001661.
Correction on POS.27: Torque 34Nm, QTY 10.

Document changes:

| Date: | Change: | Rev. after change: |
|--------------|---|-------------------------------|
| 2022-05-23 | EC214S added. (EC214 with T/R sensors). | O |
| 2022-01-27 | ePS details added. Layout structure updated. | N |
| 2021-09-02 | Rotator frame replaced. Break support added. | M |
| 2021-05-28 | Bearing ring updated. | L |
| 2021-02-17 | Torques added and updated. | K |
| 2020-10-09 | Rotator frame updated. | J |
| 2019-01-14 | Worm wheel 18 holes replaces 12 holes. | I |
| 2018-11-28 | New instructions added: Without Swivel/QSM. | H |
| 2018-07-02 | Layout/irrelevant. | G |
| 2018-04-23 | Pipe plug for MACS moved position/location. | F |
| 2017-10-16 | Sensor for MACS replaced, new distance 3mm. | E |
| 2017-08-04 | Clarifying photo for hoses added. Coversheet added. | D |

EC214 - Rotator frame



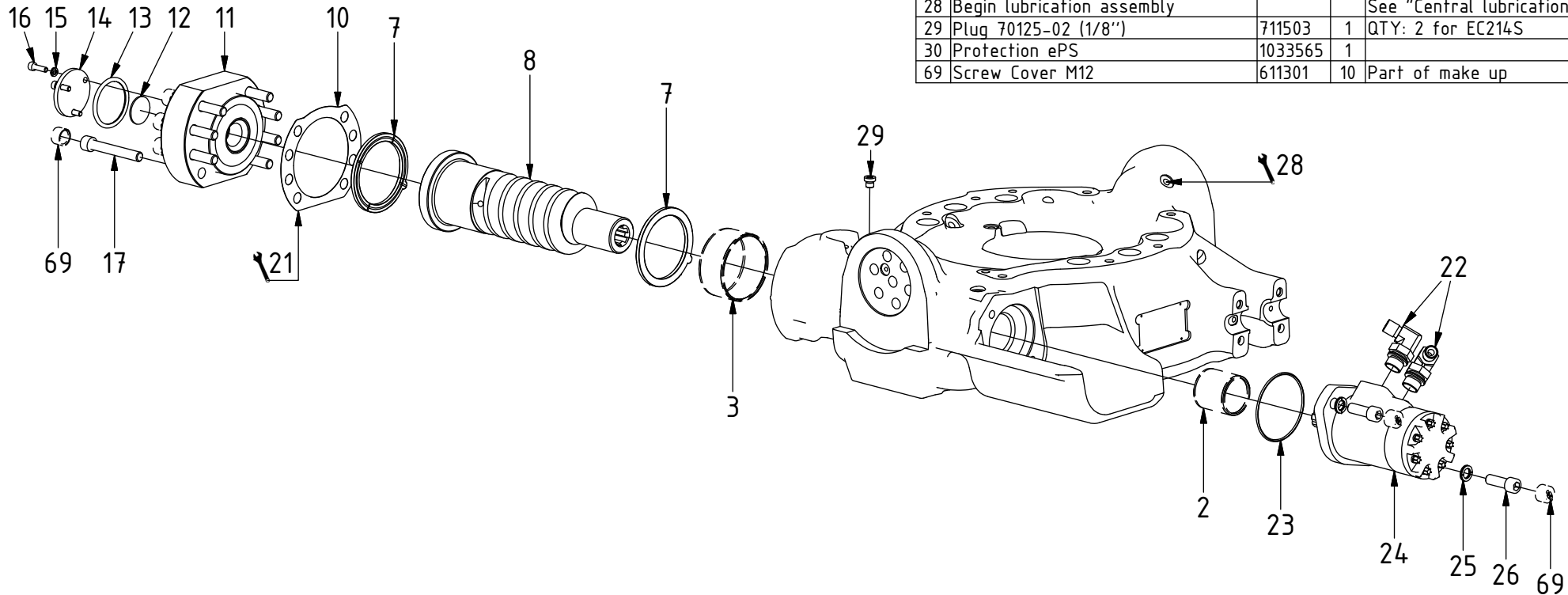
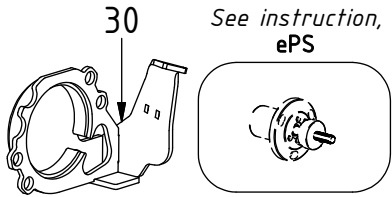
| POS | DESCRIPTION | PART | QTY | COMMENTS |
|-----|------------------------------------|---------|-----|--|
| 1 | Rotator frame EC214 V3 | 1062446 | 1 | (POS.2-3 included) |
| 2 | Bushing WB802 45/50x50 | 630102 | 1 | |
| 3 | Bushing WB802 80/85x40 | 630103 | 1 | |
| 4 | Worm wheel 18h EC214 | 1046396 | 1 | |
| 5 | O-ring 160x5 | 712425 | 1 | |
| 6 | Bearing ring | 1061928 | 1 | |
| 15 | Washer NL 6mm | 611039 | 5 | |
| 27 | Screw TX40 M8x30 FZB 10,9 | 612201 | 11 | |
| 35 | Washer NL 10mm | 611041 | 15 | QTY: 8 part of top part assembly |
| 43 | MC6S M10x50 12.9 Geomet | 611515 | 11 | QTY: 8 part of top part assembly Torque: 79Nm |
| 57 | Punch serial no into rotator frame | | | |
| 58 | Feather Key | 650102 | 6 | Part of quick hitch assembly |
| 59 | O-ring 249,3x5,7 | 712424 | 1 | Part of quick hitch assembly |
| 60 | MC6S M16x90 12.9 ZFSHL | 6000151 | 14 | Torque: 333Nm Part of quick hitch assembly |
| 61 | Clamping half Complete | 1022942 | 4 | Part of top part assembly |
| 64 | Supporting plate shim 0,1 mm | 1055262 | 1 | |
| 65 | Supporting plate shim 0,3mm | 1055260 | 1 | |
| 66 | Supporting Plate EC209 | 1055258 | 1 | |
| 67 | MC6S M6x16 12.9 ZFSHL | 6000017 | 2 | |
| 68 | Assy. between frame and hitch | | | See "Break support" |

POS in order of assembly

EC214 - Rotator frame

EC214 / EC214PS

Option ePS:



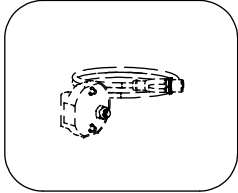
| POS | DESCRIPTION | PART | QTY | COMMENTS |
|-----|-----------------------------------|---------|-----|--------------------------------------|
| 2 | Bushing WB802 45/50x50 | 630102 | 1 | |
| 3 | Bushing WB802 80/85x40 | 630103 | 1 | |
| 7 | Axial washter (with ear) | 1010758 | 2 | Face groove toward worm screw |
| 8 | Worm Screw EC219 | 1016408 | 1 | |
| 10 | Shims kit End lock 0,3-0,4-0,5mm | 1034434 | 1 | (1016421, 1016422, 1016423 included) |
| 11 | End lock EC209/EC214/EC219 | 1016557 | 1 | |
| 12 | Spacer Plate | 1065370 | 1 | |
| 13 | O-ring 27x5 | 7000485 | 1 | |
| 14 | Cover, end lock ePS | 1041613 | 1 | |
| 15 | Washer NL 6mm | 611039 | 5 | |
| 16 | MC6S M6x20 A4-80 | 611513 | 3 | |
| 17 | MC6S M12x80 12.9 ZFSHL | 6000148 | 8 | Torque: 136Nm |
| 21 | Rotation play: 0,12mm - 0,20mm | | | Note rotation play on module card |
| 22 | Adapter 401-06-08 90° (3/8"-1/2") | 710157 | 2 | Assemble before motor |
| 23 | O-ring 82,22x2.62 N/70 | 7000920 | 1 | |
| 24 | Motor CL131CC | 720112 | 1 | |
| 25 | Washer NL 12mm | 611042 | 2 | |
| 26 | MC6S M12x35 12.9 ZFSHL | 6000150 | 2 | Torque: 136Nm |
| 28 | Begin lubrication assembly | | | See "Central lubrication" |
| 29 | Plug 70125-02 (1/8") | 711503 | 1 | QTY: 2 for EC214S |
| 30 | Protection ePS | 1033565 | 1 | |
| 69 | Screw Cover M12 | 611301 | 10 | Part of make up |

POS in order of assembly

EC214 - Rotator frame

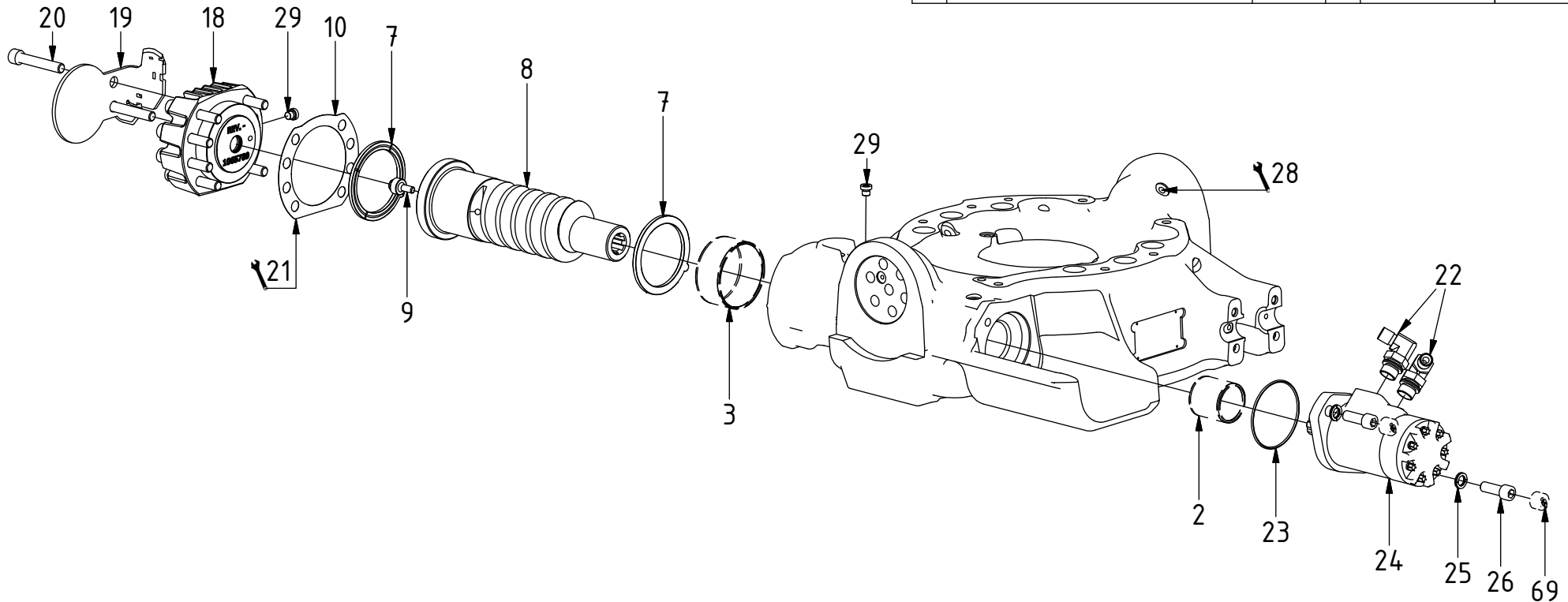
EC214S

See instruction,
T/R Sensors

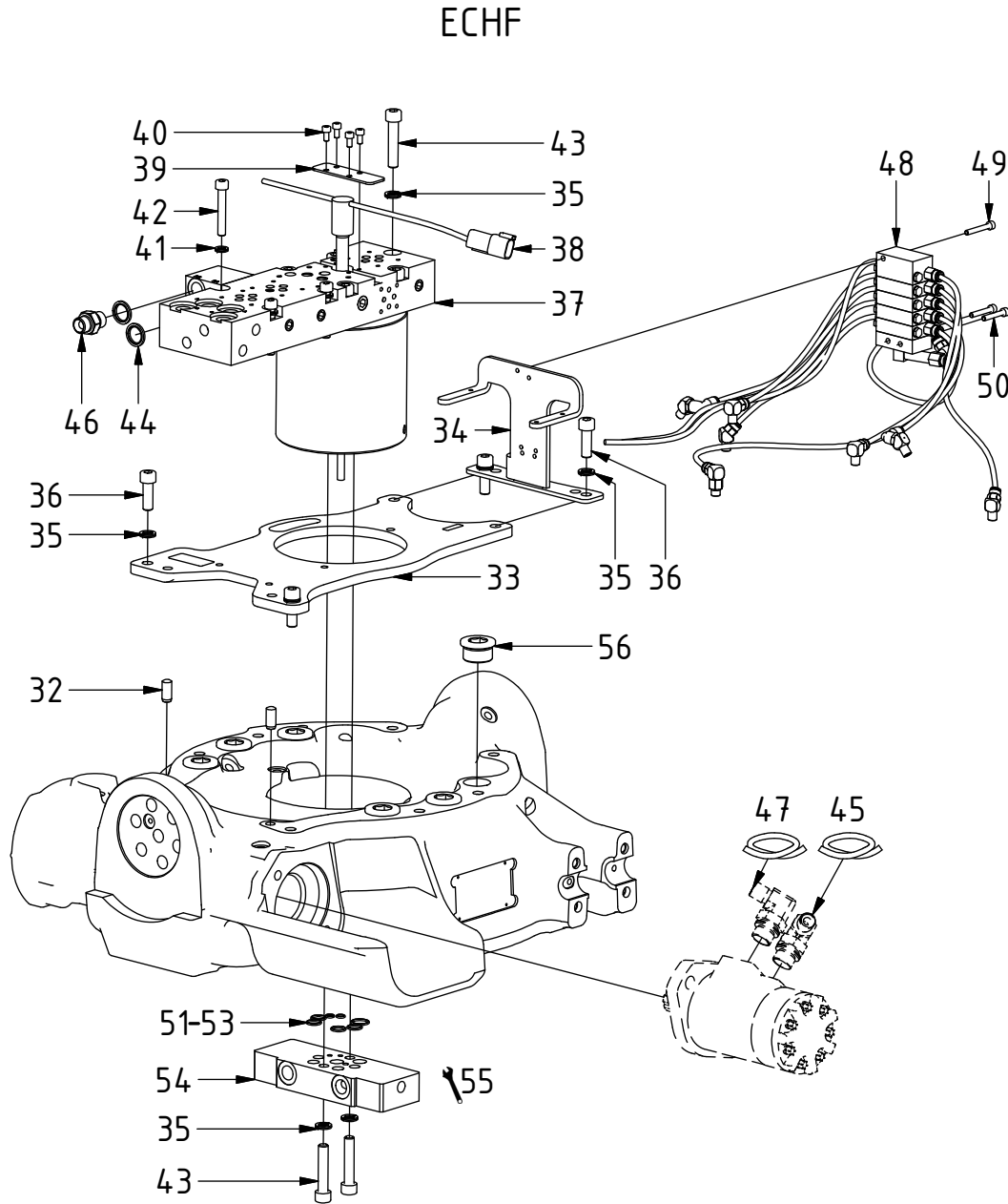


| POS | DESCRIPTION | PART | QTY | COMMENTS |
|-----|-----------------------------------|---------|-----|--------------------------------------|
| 2 | Bushing WB802 45/50x50 | 630102 | 1 | |
| 3 | Bushing WB802 80/85x40 | 630103 | 1 | |
| 7 | Axial washer (with ear) | 1010758 | 2 | Face groove toward worm screw |
| 8 | Worm Screw EC219 | 1016408 | 1 | |
| 9 | Magnet Spacer Worm Screw | 1062693 | 1 | Torque: 20Nm |
| 10 | Shims kit End lock 0,3-0,4-0,5mm | 1034434 | 1 | (1016421, 1016422, 1016423 included) |
| 18 | End Lock EC214S Cast | 1065789 | 1 | |
| 19 | Protection plate EC214S | 1063372 | 1 | |
| 20 | MC6S M12x70 12.9 Geomet | 611517 | 8 | Torque: 136Nm |
| 21 | Rotation play: 0,12mm - 0,20mm | | | Note rotation play on module card |
| 22 | Adapter 401-06-08 90° (3/8"-1/2") | 710157 | 2 | Assemble before motor |
| 23 | O-ring 82,22x2.62 N/70 | 7000920 | 1 | |
| 24 | Motor CL131CC | 720112 | 1 | |
| 25 | Washer NL 12mm | 611042 | 2 | |
| 26 | MC6S M12x35 12.9 ZFSHL | 6000150 | 2 | Torque: 136Nm |
| 28 | Begin lubrication assembly | | | See "Central lubrication" |
| 29 | Plug 70125-02 (1/8") | 711503 | 1 | QTY: 2 for EC214S |
| 69 | Screw Cover M12 | 611301 | 10 | Part of make up |

POS in order of assembly



EC214 - Rotator frame



| POS | DESCRIPTION | PART | QTY | COMMENTS |
|-----|---|---------|-----|--|
| 32 | Cylindrical pin CPK $\varnothing 10 \times 28$ | 6000002 | 2 | |
| 33 | Valve plate | 1026199 | 1 | |
| 34 | Mounting plate lube. ECHF/QSM | 1031517 | 1 | |
| 35 | Washer NL 10mm | 611041 | 15 | QTY: 8 part of top part assembly |
| 36 | MC6S M10x30 | 610452 | 4 | Torque: 79Nm |
| 37 | Valve block & Swivel Complete without slipping ECHF | 1027386 | 1 | See "Valve blocks & Swivels" |
| 38 | Kit Slip ring ECHF DTM | 1030298 | 1 | For QS, see "Slip rings" |
| 39 | Cover plate slip ring | 1026200 | 1 | |
| 40 | MC6S M5x10 12.9 | 610594 | 4 | |
| 41 | Washer NL 8mm | 611040 | 5 | |
| 42 | MC6S M8x50 12.9 | 610439 | 5 | |
| 43 | MC6S M10x50 12.9 Geomet | 611515 | 11 | QTY: 8 part of top part assembly Torque: 79Nm |
| 44 | Washer GBR06 3/8 | 710703 | 2 | |
| 45 | Hose hydraulic motor Long | 743005 | 1 | |
| 46 | Adapter 136-06-06 (3/8") | 710106 | 1 | |
| 47 | Hose hydraulic motor Short | 743006 | 1 | |
| 48 | Lubrication kit | 1026699 | 1 | See "Central lubrication" |
| 49 | MC6S M5x35 12.9 | 610404 | 1 | |
| 50 | MC6S M5x30 12.9 | 610403 | 2 | |
| 51 | O-ring 6,07x1,78 | 712422 | 4 | |
| 52 | O-ring 12,42x1,78 | 710973 | 10 | |
| 53 | O-ring 15,6x1,78 | 710912 | 1 | |
| 54 | Connection block ECHF | 1028391 | 1 | |
| 55 | Guide with spring pin | | | Spring pin included in swivel |
| 56 | Pipe plug M30x1,5 | 650410 | 6 | |

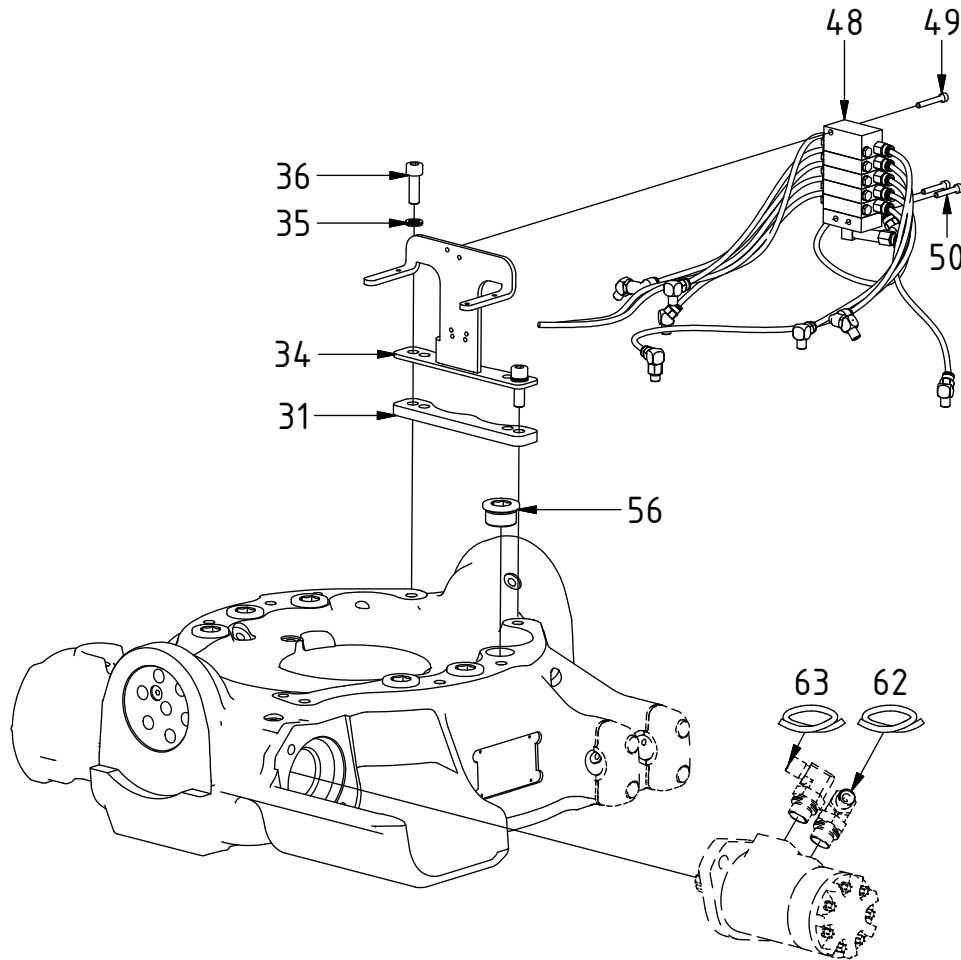
POS in order of assembly

EC214 - Rotator frame

Without Swivel / QSM

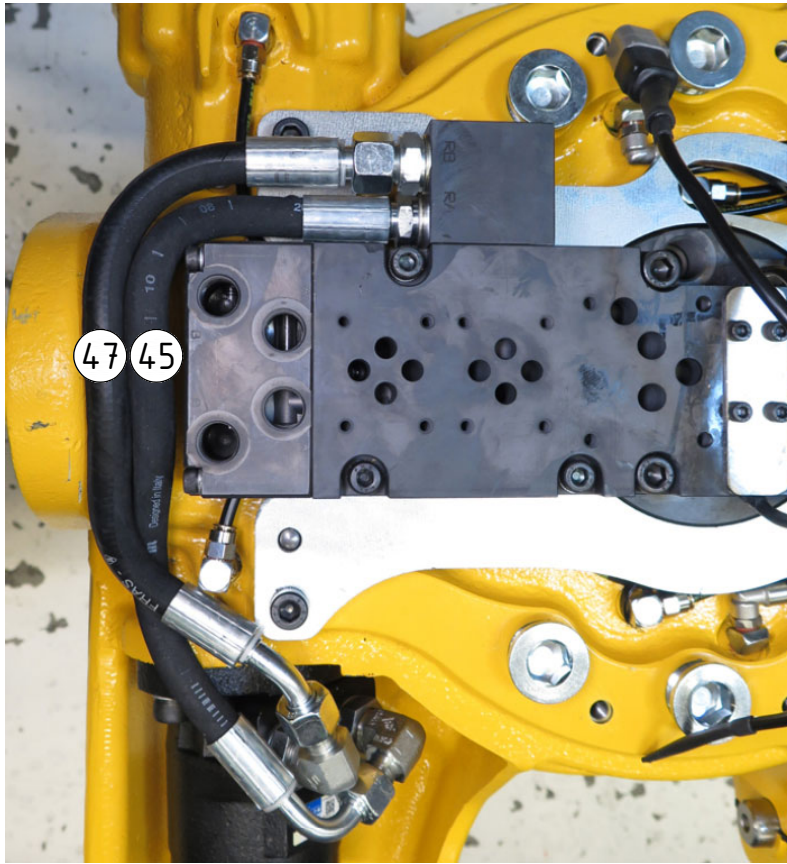
| POS | DESCRIPTION | PART | QTY | COMMENTS |
|-----|--------------------------------|---------|-----|----------------------------------|
| 31 | Spacer central lubrication | 1047832 | 1 | |
| 34 | Mounting plate lube. ECHF/QSM | 1031517 | 1 | |
| 35 | Washer NL 10mm | 611041 | 15 | QTY: 8 part of top part assembly |
| 36 | MC6S M10x30 | 610452 | 4 | Torque: 79Nm |
| 48 | Lubrication kit | 1026699 | 1 | See "Central lubrication" |
| 49 | MC6S M5x35 12.9 | 610404 | 1 | |
| 50 | MC6S M5x30 12.9 | 610403 | 2 | |
| 56 | Pipe plug M30x1,5 | 650410 | 6 | |
| 62 | Hose hydraulic motor Short QSM | 7000789 | 1 | Part of quick hitch assembly |
| 63 | Hose hydraulic motor Long QSM | 7000790 | 1 | Part of quick hitch assembly |

POS in order of assembly



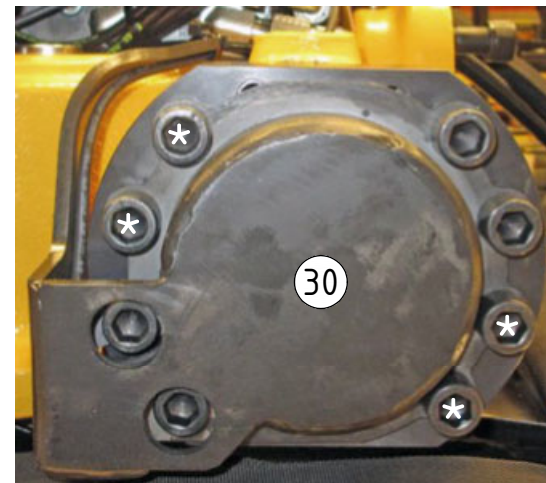
EC214 - Rotator frame

| POS | DESCRIPTION | PART | QTY | COMMENTS |
|-----|--------------------------------|---------|-----|------------------------------|
| 30 | Protection ePS | 1033565 | 1 | |
| 45 | Hose hydraulic motor Long | 743005 | 1 | |
| 47 | Hose hydraulic motor Short | 743006 | 1 | |
| 62 | Hose hydraulic motor Short QSM | 7000789 | 1 | Part of quick hitch assembly |
| 63 | Hose hydraulic motor Long QSM | 7000790 | 1 | Part of quick hitch assembly |



As close/tight as possible (see the circled areas)

Option ePS/MACS



*No torque until control system assembly

EC214 - Rotator frame

Related spare parts

| POS | DESCRIPTION | PART | QTY | COMMENTS |
|-----|----------------------------------|---------|-----|--|
| 1 | Rotator frame EC214 V3 | 1062446 | 1 | (POS.2-3 included) |
| 4 | Worm wheel 18h EC214 | 1046396 | 1 | |
| 11 | End lock EC209/EC214/EC219 | 1016557 | 1 | |
| 70 | End lock standard & MACS | 1016415 | 1 | Replaced by POS.11 from 2022-01 MACS: Replaces 1028628 from 16-10 |
| 71 | Rotator frame EC214 V2 | 1044800 | 1 | Replaced by POS.1 from 2021-07 |
| 72 | Serial number location | | | Current location found on p.2 |
| 73 | MACS Magnet 8x5x3 | 6000047 | 1 | |
| 74 | MACS Inductive sensor M8 PNP | 1043698 | 1 | Distance 3mm. Nut torque: 3Nm |
| 75 | MACS Inductive sensor M8-M12 | 1028045 | 1 | Replaced by POS.74 from 2017-08 Distance 4mm. Nut torque: 3Nm |
| 76 | MACS previous pipe plug location | | | |
| 77 | MACS Pipe plug M8x1 | 650412 | 1 | |

