

COVERSHEET

Planned document changes:

Briefly:

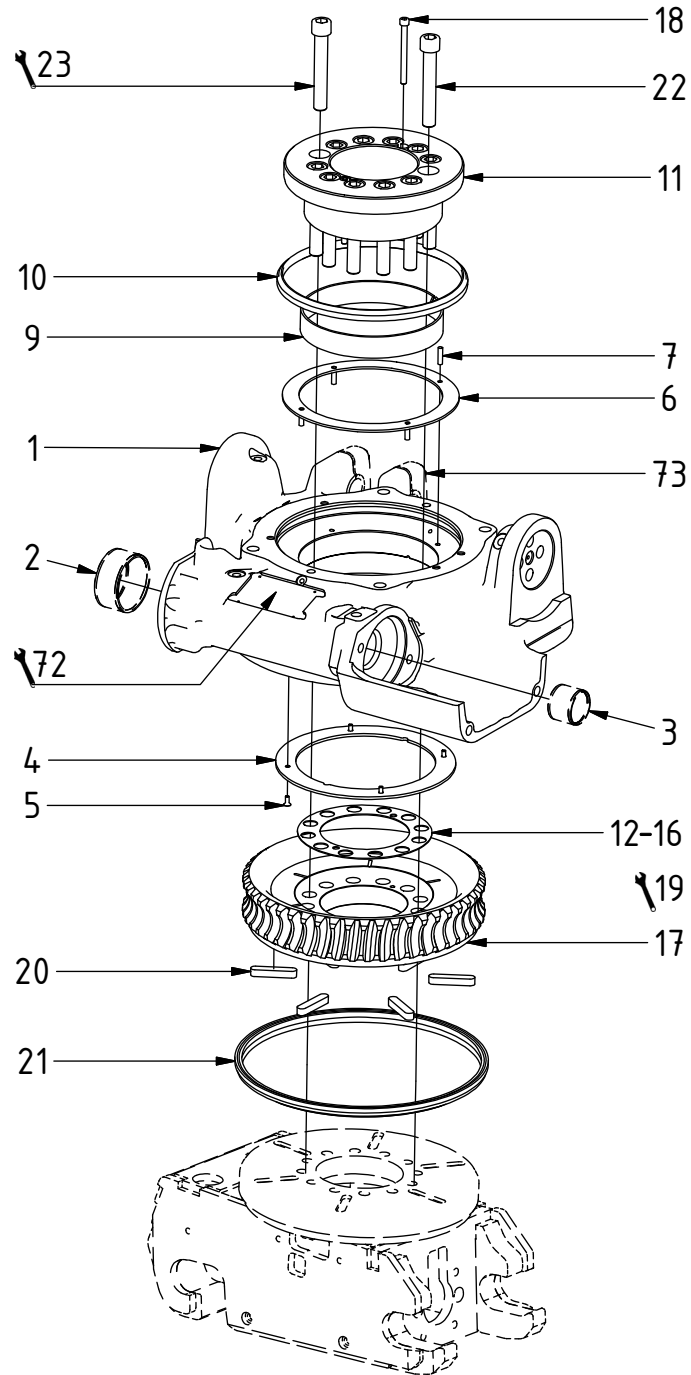
No planned changes.

Document changes:

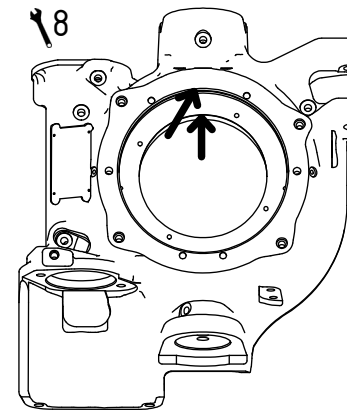
Date:	Change:	Rev. after change:
2022-02-10	Rotation hoses clarified.	L
2021-11-11	Layout structure updated.	K
2021-01-13	End lock shims updated. Screws updated to ZFSLH.	J
2020-06-15	Slip ring replaced (part of valve block & swivel).	I
2019-02-18	Screws for grease protection corrected.	H
2018-09-10	Screws for lubrication kit corrected.	G
2018-06-25	New rotation play.	F
2018-03-15	Replaced screw for tilt axle. New location for serial no.	E
2017-08-10	New photos, type plate, and coversheet added.	D

EC206 - Rotator frame

POS in order of assembly

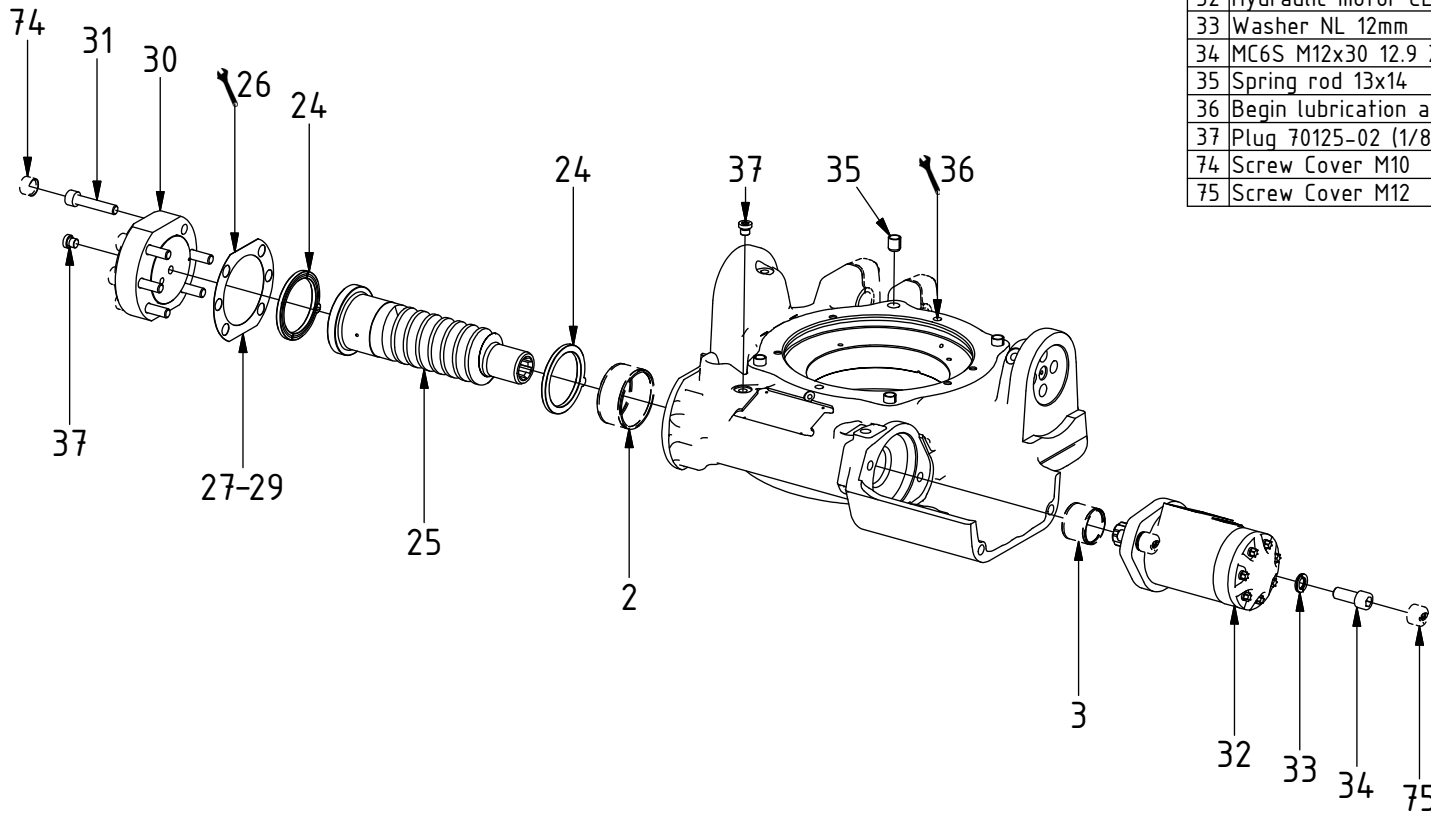


POS	DESCRIPTION	PART	QTY	COMMENTS
1	Rotator frame EC206	1039337	1	(POS.2-3 included)
2	Bushing 60/65x30	630305	1	
3	Bushing 35/39x30	630315	1	
4	Wear washer	1000774	1	
5	Flat head socket screw 4x10	610605	4	
6	Wear ring	1000772	1	
7	Slotted pin S5x20	640407	4	Must not exceed Wear ring surface
8	Grease Guide belt and Wiper seal where they connect to rotator frame			
9	Guide belt	710958	1	
10	Wiper seal (centre ring)	710952	1	
11	Centre ring	1000773	1	
12	Shims Centre ring 0,5mm	1001665	1	Use if required
13	Shims Centre ring 0,6mm	1009602	1	Use if required
14	Shims Centre ring 0,7mm	1001664	1	Use if required
15	Shims Centre ring 0,8mm	1001666	1	Use if required
16	Shims Centre ring 1,0mm	1009604	1	Use if required
17	Worm wheel	1000751	1	
18	MC6S M6x70 12.9	610496	2	
19	Check break play: 0,01mm - 0,20mm			Make sure worm wheel rotates easily
20	Feather Key	650102	6	
21	Wiper seal (quick hitch)	710957	1	
22	MC6S M14x90 12.9 ZFSLH	6000158	12	Torque: 217Nm
23	Torque tighten rotator frame to quick hitch, twelve holes			
31	MC6S M10x50 12.9 Geomet	611515	6	Torque: 79Nm
39	Washer NL10	611041	4	
72	Punch serial no into rotator frame			
73	Clamping half Complete	1022942	2	Part of top part assembly Use with QTY:4 POS.31 & 39



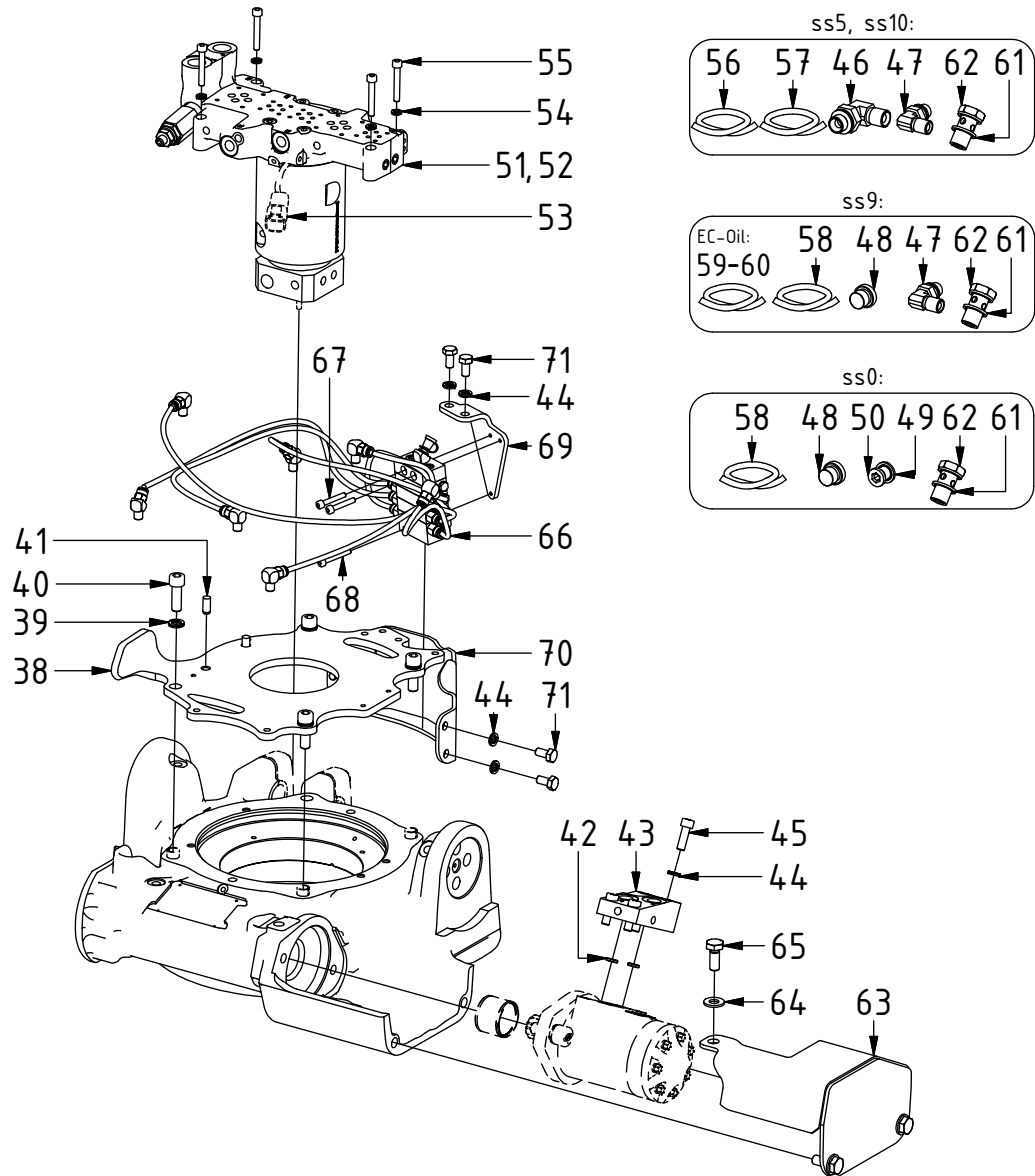
EC206 - Rotator frame

POS	DESCRIPTION	PART	QTY	COMMENTS
2	Bushing 60/65x30	630305	1	
3	Bushing 35/39x30	630315	1	
24	Axial washer (with ear)	1016519	2	
25	Worm screw	1007329	1	
26	Rotation play: 0,01mm - 0,10mm			Note rotation play on module card
27	Shims End Lock 0,3mm	1059837	1	Use if required
28	Shims End Lock 0,4mm	405124	1	Use if required
29	Shims End Lock 0,5mm	405125	1	Use if required
30	End Lock	303269	1	
31	MC6S M10x50 12.9 Geomet	611515	6	Torque: 79Nm
32	Hydraulic motor CL80cc	720128	1	
33	Washer NL 12mm	611042	2	
34	MC6S M12x30 12.9 ZFSL	6000142	2	Torque: 136Nm
35	Spring rod 13x14	640414	4	
36	Begin lubrication assembly			See "Central lubrication"
37	Plug 70125-02 (1/8")	711503	2	
74	Screw Cover M10	611305	6	Part of make up
75	Screw Cover M12	611301	2	Part of make up



EC206 - Rotator frame

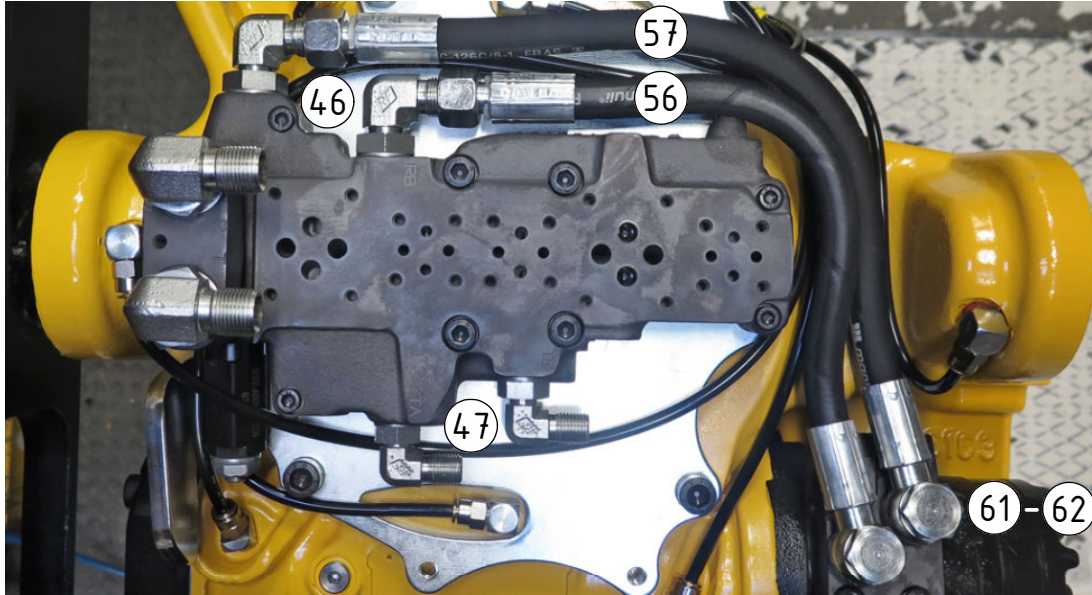
POS in order of assembly



POS	DESCRIPTION	PART	QTY	COMMENTS
38	Valve plate V2 EC206	1040101	1	
39	Washer NL10	611041	4	
40	MC6S M10x30 12.9	610452	4	Torque: 79Nm
41	Cylindrical pin CPK ø8x20 m6	650216	2	
42	O-ring 12,37x2,62	710961	2	
43	Block Motor EC206	1016535	1	
44	Washer NL 8mm	611040	12	
45	MC6S M8x25 12.9 ZFSHL	6000143	4	
46	Adapter 401-06-06 90° (3/8'')	710152	2	Assemble before rotator frame
47	Adapter 401-04-04 90° (1/4'')	710151	2	Assemble before rotator frame
48	Plug 70125-06 (3/8'')	711504	2	
49	Washer GBR04 1/4	710702	2	
50	Plug 153-04 (1/4'')	711505	2	
51	Valve block & swivel Complete	1026703	1	Part of control system See "Valve blocks & swivels"
52	Valve block & swivel Complete with slipring DTM	1031333	1	(POS.53 included) Part of control system See "Valve blocks & swivels"
53	Kit Slip ring EC206	8001065	1	
54	Washer NL 6mm	611039	4	
55	MC6S M6x40 12.9	610418	4	
56	Hose hydraulic motor Short	742906	1	For ss5, ss10
57	Hose hydraulic motor Long	742907	1	For ss5, ss10
58	Hose Rotation	742916	2	For ss0, ss9
59	Hose Rotation Short ECO45/50		1	For ss9 with EC-Oil CC522/KL467 RM06 4550-06-06/4511-06-06 tex
60	Hose Rotation Long ECO45/50		1	For ss9 with EC-Oil CC572/KL517 RM06 4550-06-06/4511-06-06 tex
61	Washer GBR06 3/8	710703	4	
62	Banjo bolt 4451-06 (3/8'')	710272	2	
63	Motor cover EC206	1016498	1	
64	Washer BRB 10,5x22x2 200 HV FZB	611006	3	
65	M6S M10x25 8,8 FZB	610142	3	
66	Lubrication kit Complete V2 EC206	1040208	1	See "Central lubrication"
67	MC6S M5x30 12.9	610403	2	
68	MC6S M5x35 12.9	610404	1	
69	Bracket grease V2 EC206	1033292	1	
70	Protection grease V2 EC206	1033339	1	
71	Hex Head Screw 8x16	610122	2	

EC206 - Rotator frame

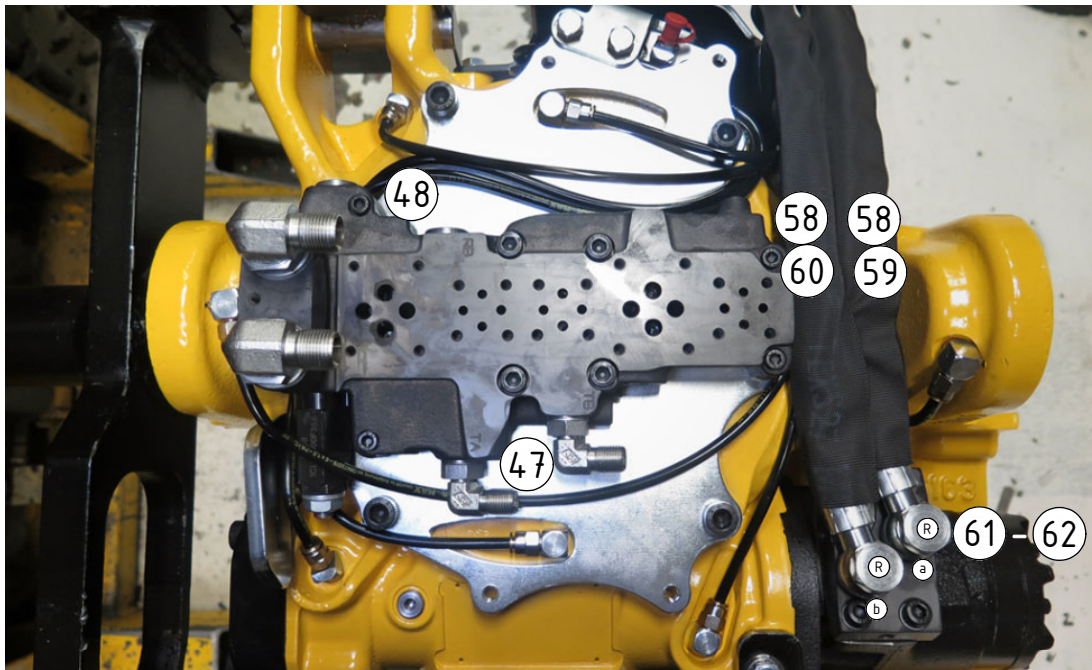
ss5, ss10:



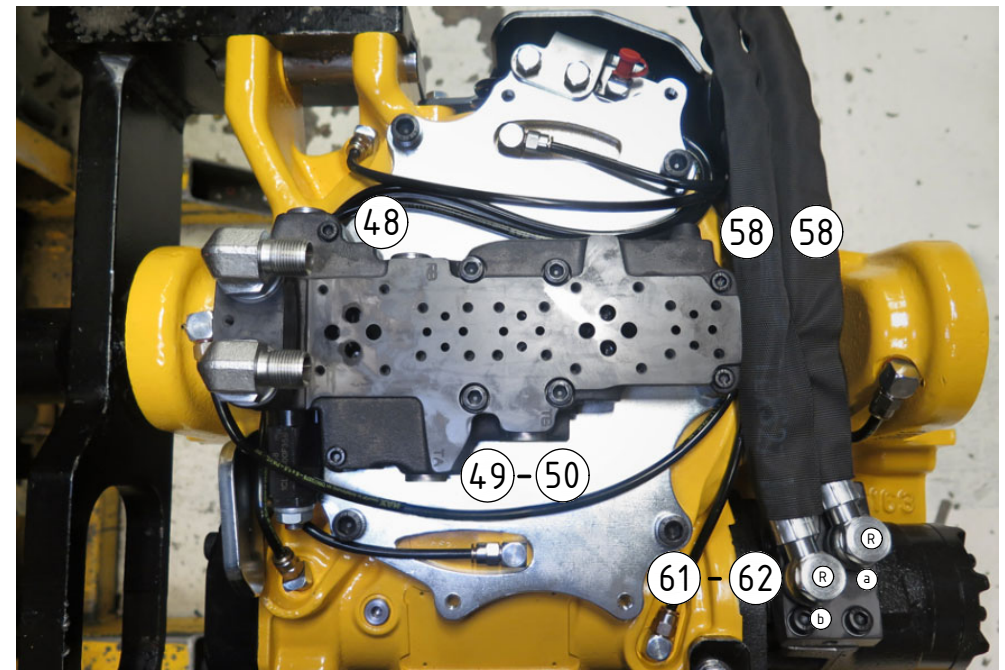
POS	DESCRIPTION	PART	QTY	COMMENTS
46	Adapter 401-06-06 90° (3/8")	710152	2	Assemble before rotator frame
47	Adapter 401-04-04 90° (1/4")	710151	2	Assemble before rotator frame
48	Plug 70125-06 (3/8")	711504	2	
49	Washer GBR04 1/4	710702	2	
50	Plug 153-04 (1/4")	711505	2	
56	Hose hydraulic motor Short	742906	1	For ss5, ss10
57	Hose hydraulic motor Long	742907	1	For ss5, ss10
58	Hose Rotation	742916	2	For ss0, ss9
59	Hose Rotation Short ECO45/50		1	For ss9 with EC-Oil CC522/KL467 RM06 4550-06-06/4511-06-06 tex
60	Hose Rotation Long ECO45/50		1	For ss9 with EC-Oil CC572/KL517 RM06 4550-06-06/4511-06-06 tex
61	Washer GBR06 3/8	710703	4	
62	Banjo bolt 4451-06 (3/8")	710272	2	

POS in order of assembly

ss9:



ss0:



EC206 - Rotator frame

Related spare parts

POS	DESCRIPTION	PART	QTY	COMMENTS
1	Rotator frame EC206	1039337	1	(POS.2-3 included)
38	Valve plate V2 EC206	1040101	1	
66	Lubrication kit Complete V2 EC206	1040208	1	See "Lubrication kit"
67	MC6S M5x30 12.9	610403	2	
68	MC6S M5x35 12.9	610404	1	
76	Lubrication kit Complete EC206	1025030	1	Replaced by POS.66 from 2017-01
77	Serial number locations			Current location found on p.2

POS in order of assembly

Replaced from 2017-01

