

EC209 - Central lubrication

COVERSHEET

Planned document changes:

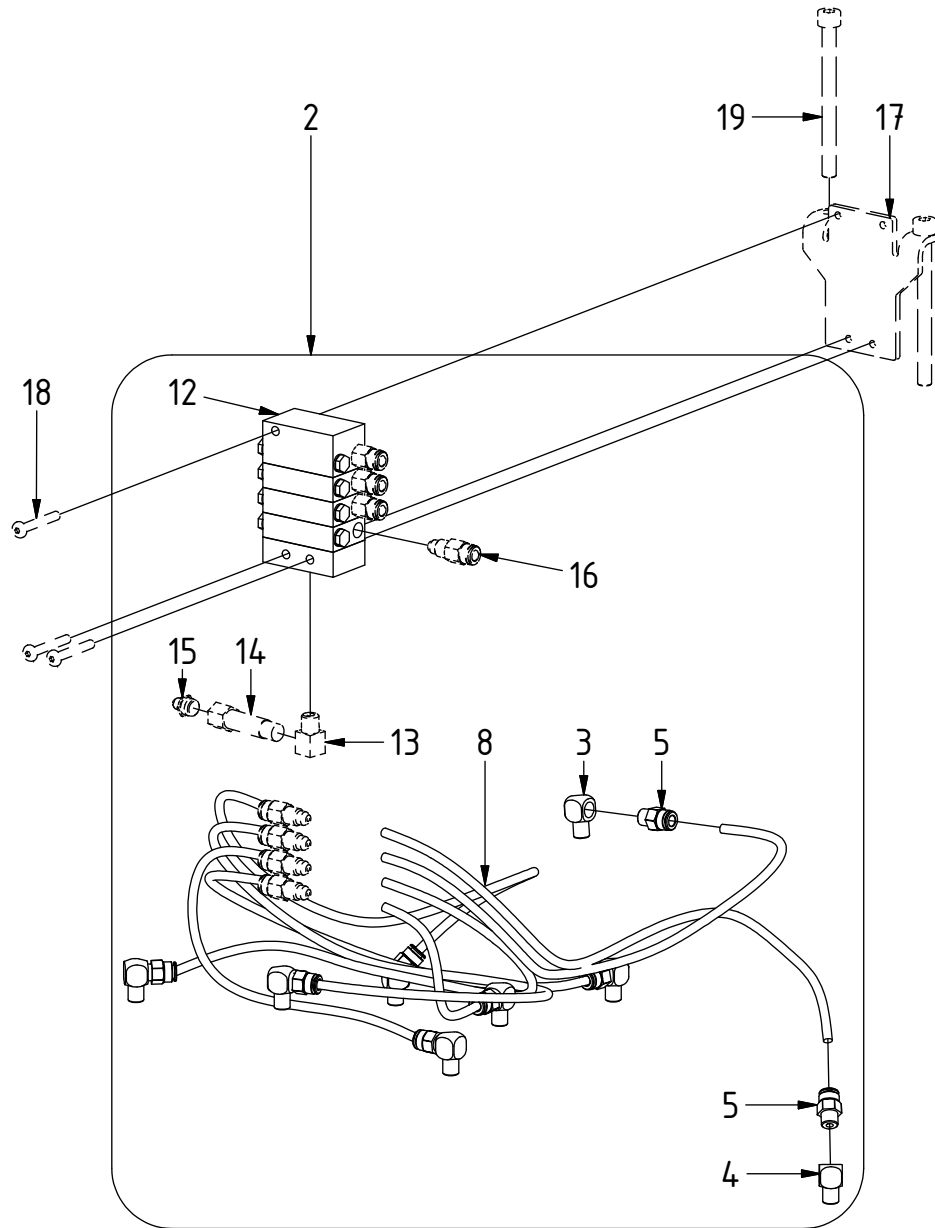
Briefly:

No planned changes.

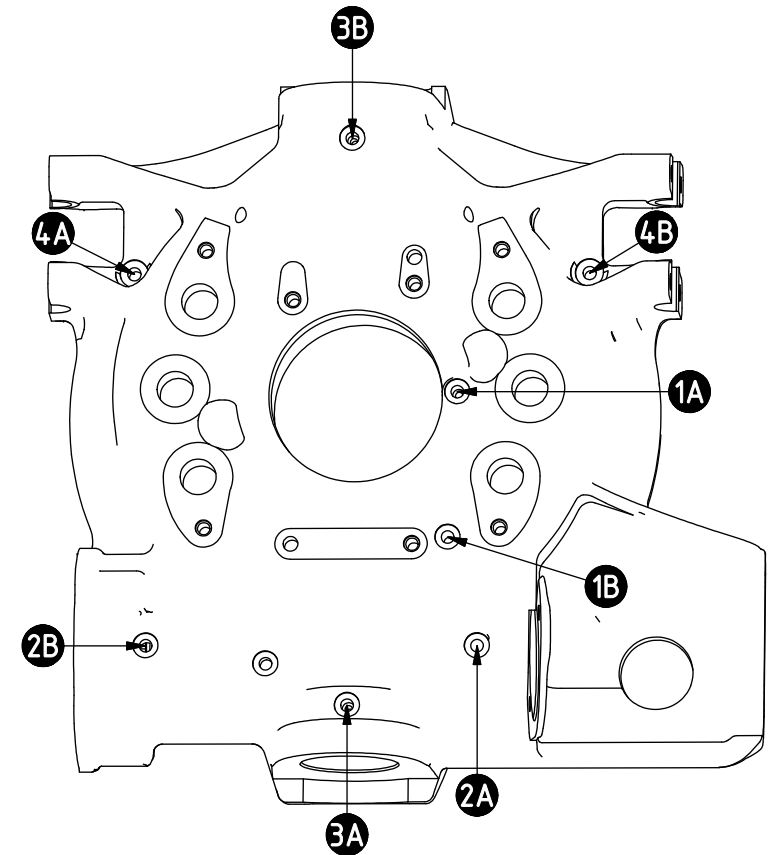
Document changes:

Date:	Change:	Rev. after change:
2019-03-11	Screws for dosing block updated.	G
2019-01-18	Photos replaced.	F
2018-09-07	Art no for extender updated.	E
2018-07-10	Photo for lubrication hoses underneath valveblock added. Coversheet added.	D

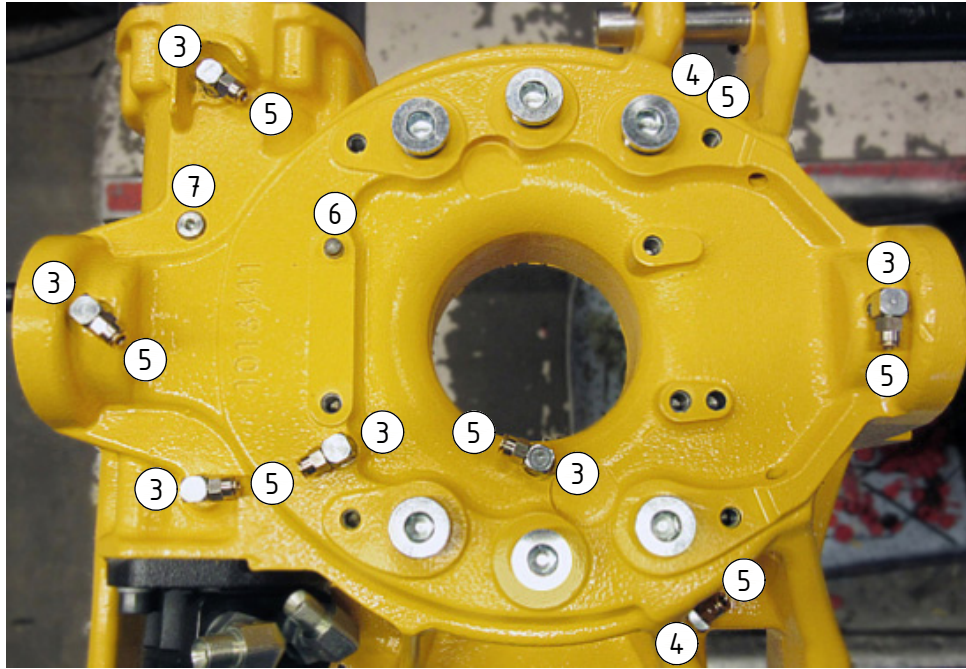
EC209 - Central lubrication



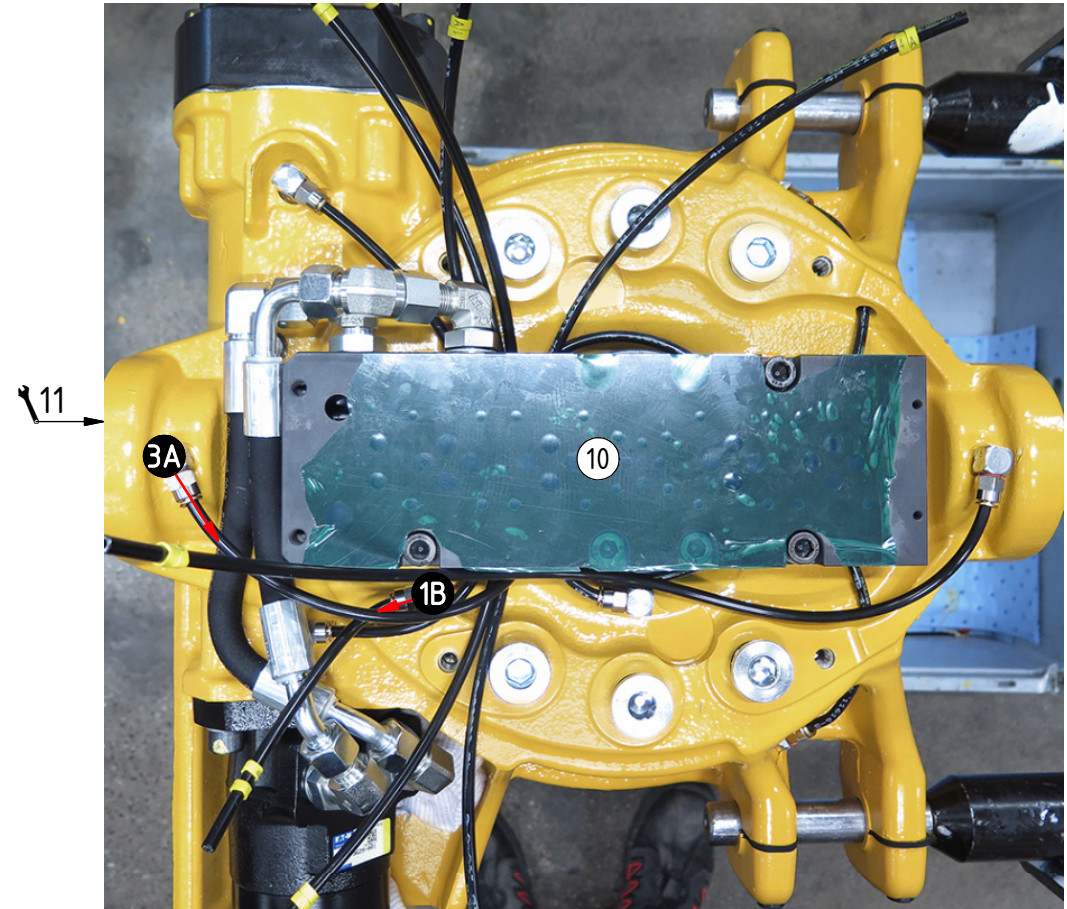
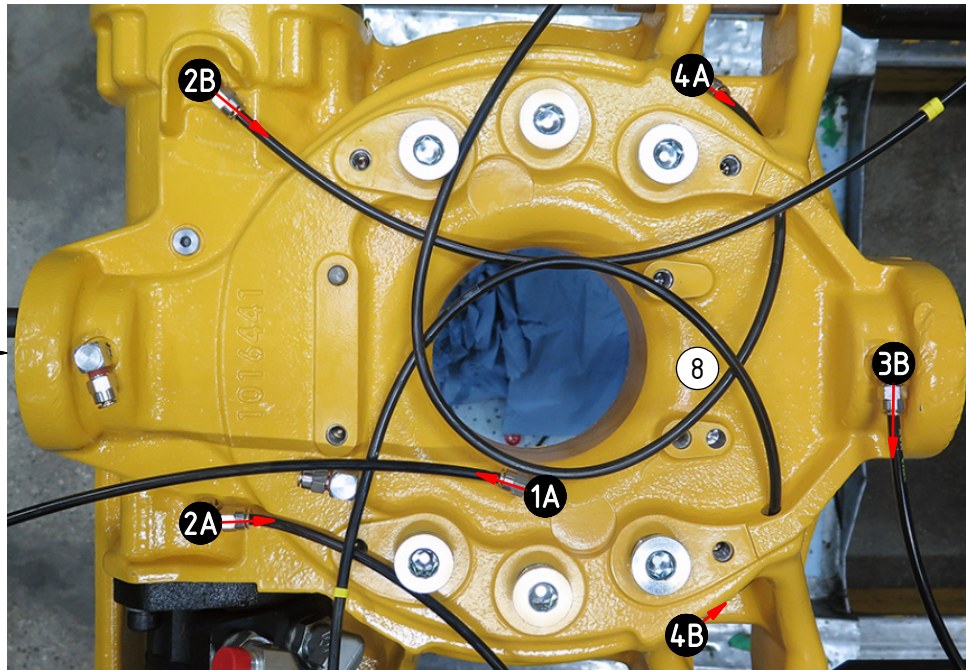
POS	DESCRIPTION	PART	QTY	COMMENTS
1	Central lubrication is applied alongside rotator frame assembly			See "Rotator frame"
2	Lubrication kit EC209 Complete	1021742	1	(POS.3-5, 8, 12 included)
3	Adapter 90° R1/8"	710199	6	
4	Adapter 45° R1/8"	712215	2	
5	Push-in R1/18" PGE06	790172	8	
8	Hose kit Lubrication	790187	1	
12	Dosing block MX-F	1021839	1	(POS.13-16 included)
13	Adapter 90° M10x1	790190	1	
14	Extender M10x1 50mm	790165	1	
15	Grease nipple H1 M10x1	790166	1	
16	Push-in 6mm R1/8"	790188	8	
17	Mounting plate central lubrication	1021695	1	Part of rotator frame assembly
18	K6S M5x35 10.9 FZB	6000231	3	Part of rotator frame assembly
19	Screw MC6S M8x90	610444	2	Part of rotator frame assembly



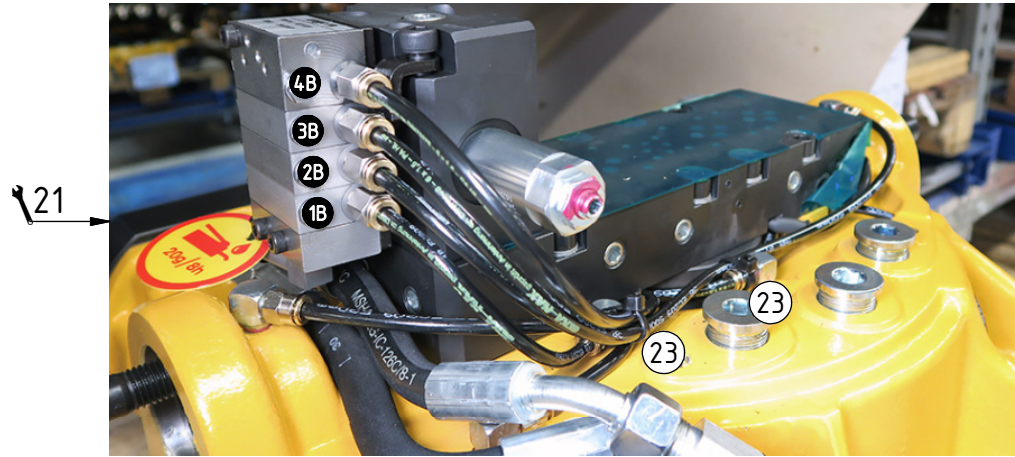
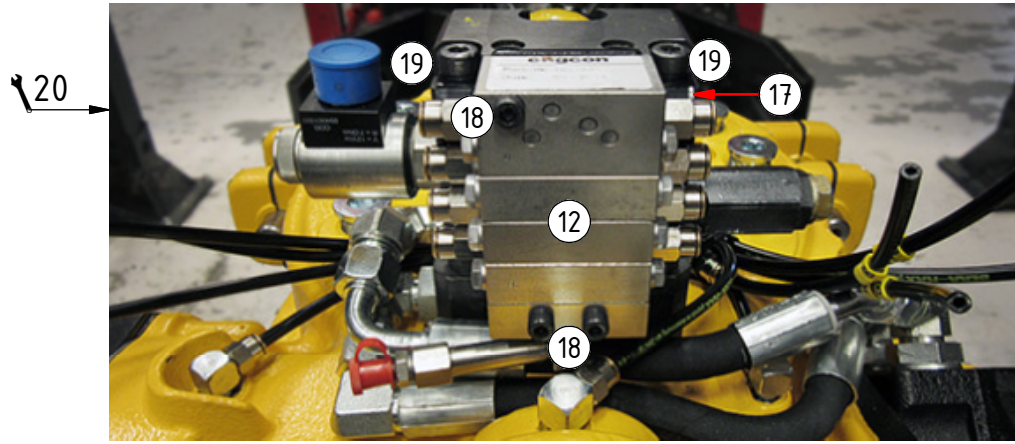
EC209 - Central lubrication



POS	DESCRIPTION	PART	QTY	COMMENTS
3	Adapter 90° R1/8"	710199	6	
4	Adapter 45° R1/8"	712215	2	
5	Push-in R1/18" PGE06	790172	8	
6	Cylindrical pin \varnothing 10x24	1020539	1	Part of rotator frame assembly
7	Plug	711503	1	Part of rotator frame assembly
8	Hose kit Lubrication	790187	1	
9	Assemble all hoses but 1B and 3A			
10	Valve block & swivel Complete (Slip ring depends on config.)			Part of rotator frame assembly See "Valve blocks & Swivels"
11	Assemble 1B and 3A after valve block & swivel			



EC209 - Central lubrication



POS	DESCRIPTION	PART	QTY	COMMENTS
12	Dosing block MX-F	1021839	1	(POS.13-16 included)
13	Adapter 90° M10x1	790190	1	
14	Extender M10x1 50mm	790165	1	
15	Grease nipple H1 M10x1	790166	1	
16	Push-in 6mm R1/8"	790188	8	
17	Mounting plate central lubrication	1021695	1	Part of rotator frame assembly
18	K6S M5x35 10.9 FZB	6000231	3	Part of rotator frame assembly
19	Screw MC6S M8x90	610444	2	Part of rotator frame assembly
20	Temporarily attach pressure reduction block			Part of control system assembly
21	Assemble B-side			
22	Assemble A-side			
23	Use cable ties			
24	Detach pressure reduction block			

