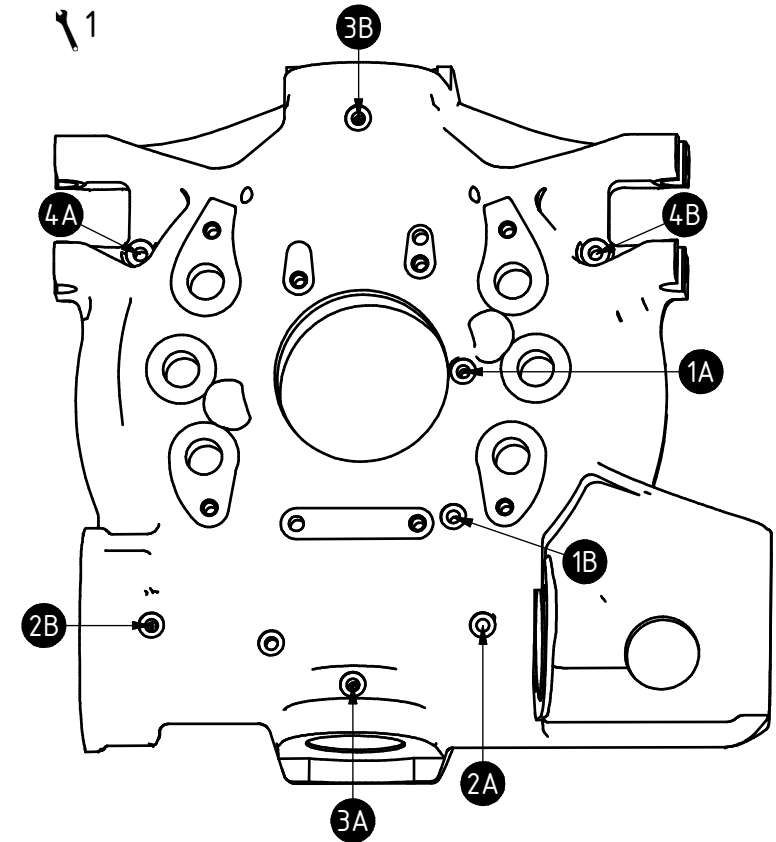
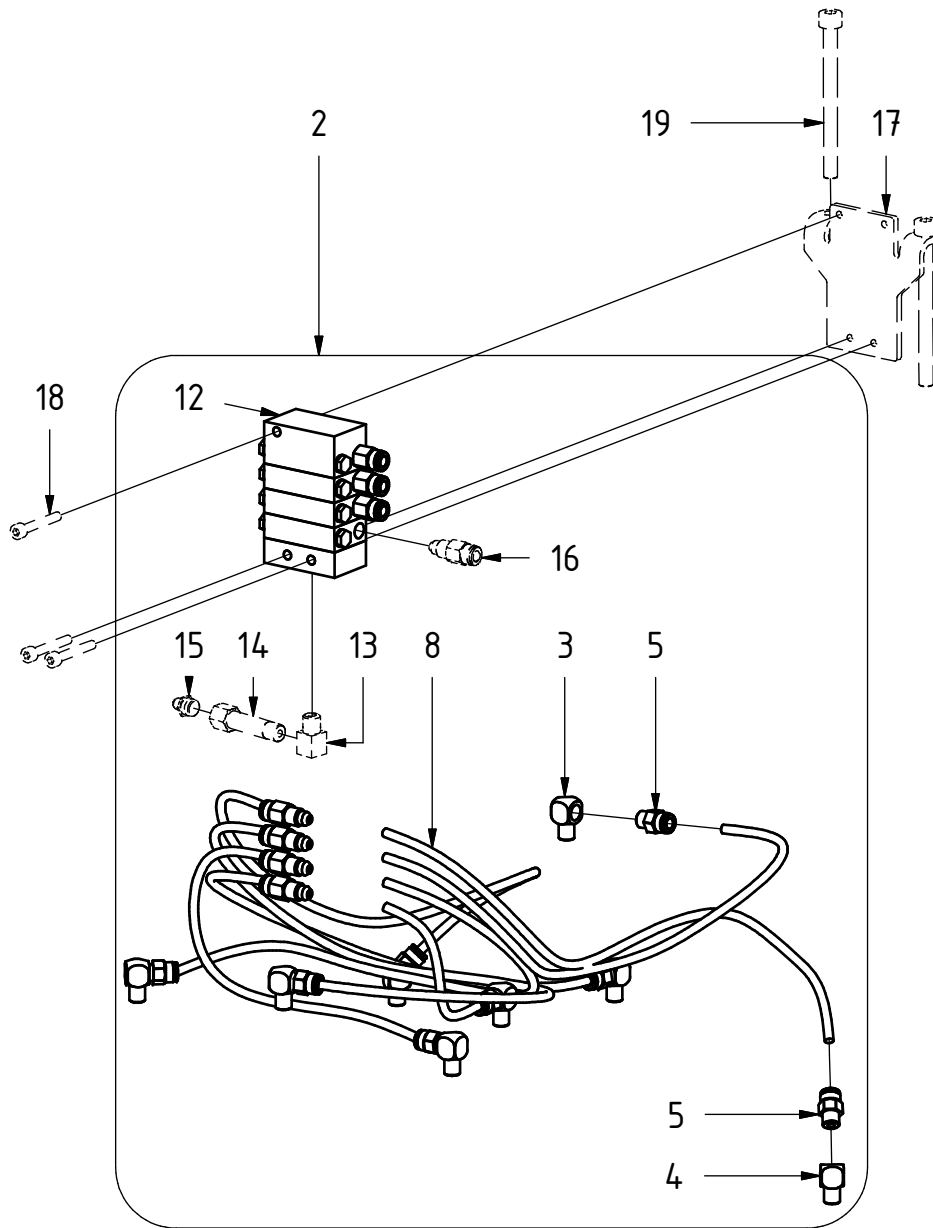
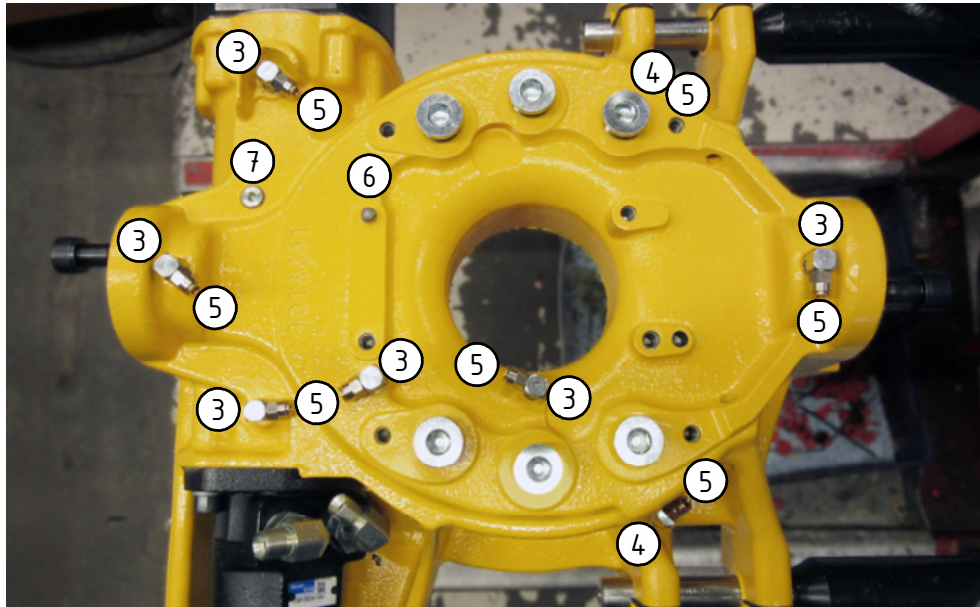


POS	DESCRIPTION	PART	QTY	COMMENTS
1	Central lubrication is applied gradually alongside rotator frame assembly			See heading Rotator frame for instruction
2	Lubrication kit EC209 Complete	1021742	1	(POS.3-5, 8, 12 included)
3	Adapter 90° R1/8"	710199	6	
4	Adapter 45° R1/8"	712215	2	
5	Push-in R1/8" PGE06	790172	8	
8	Hose kit Lubrication	790187	1	
12	Dosing block MX-F	1021839	1	(POS.13-16 included)
13	Adapter 90° M10x1	790190	1	
14	Extender M10x1	790189	1	
15	Grease nipple H1 M10x1	790166	1	
16	Push-in 6mm R1/8"	790188	8	
17	Mounting plate central lubrication	1021695	1	Part of rotator frame assembly
18	Socket Head Screw 5x35	610404	3	Part of rotator frame assembly
19	Socket Head Screw 8x90	610444	2	Part of control system assembly

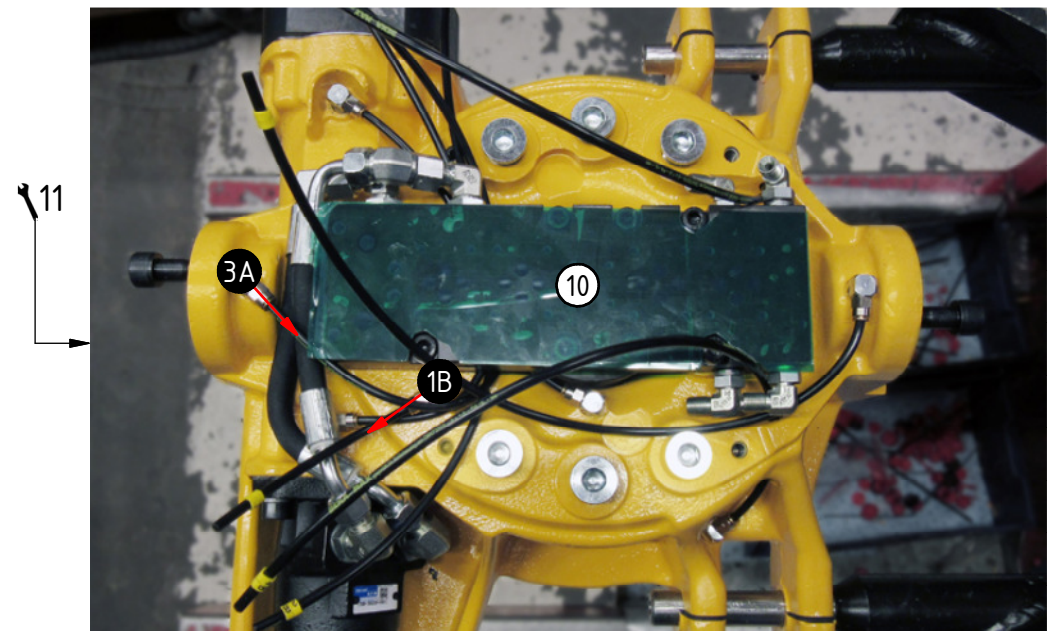
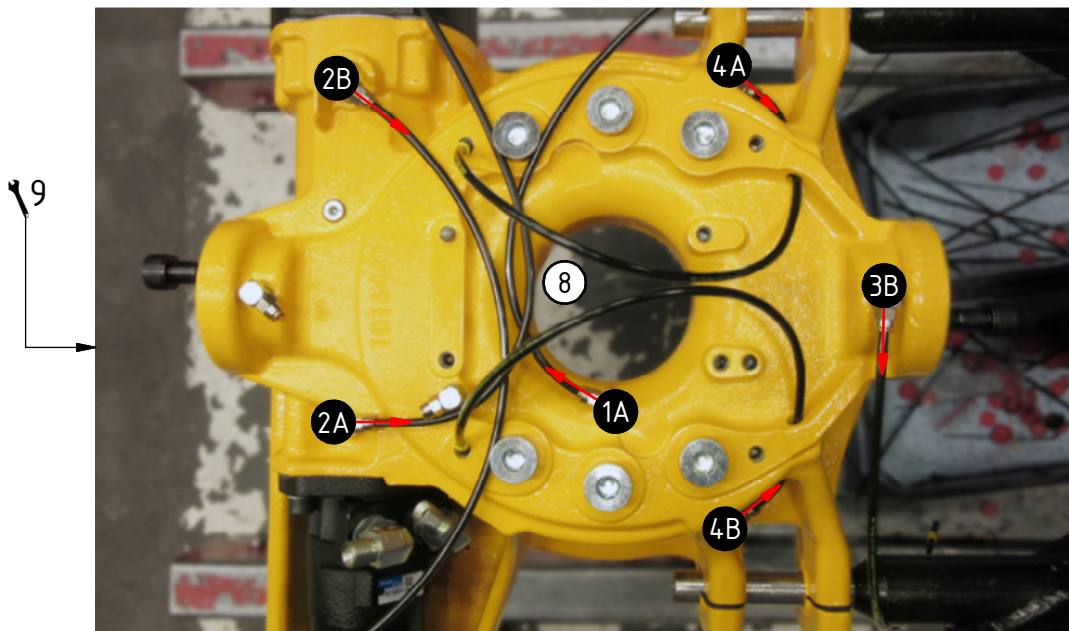
Photographs on pages 2-3



Dashed lines for overview, mounts on other pages/assemblies. indicates instruction. represents hose.

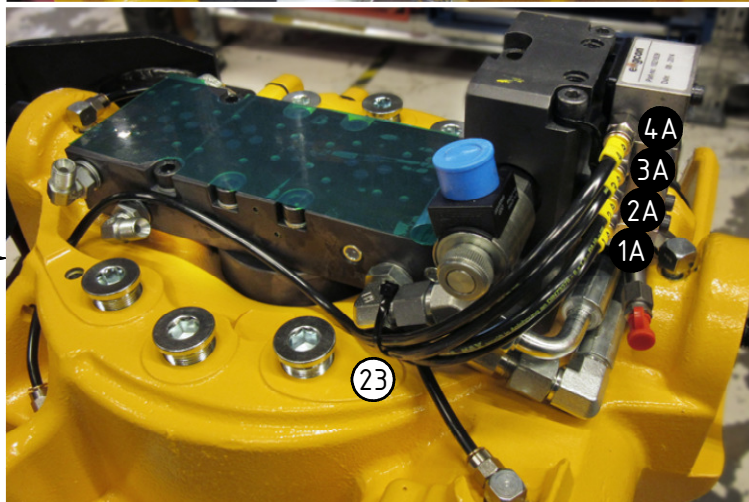
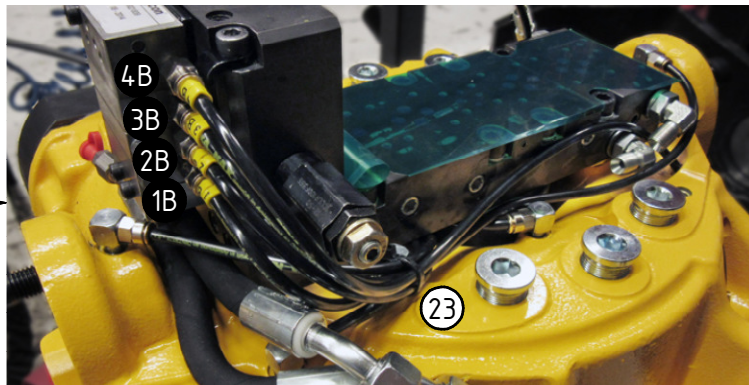
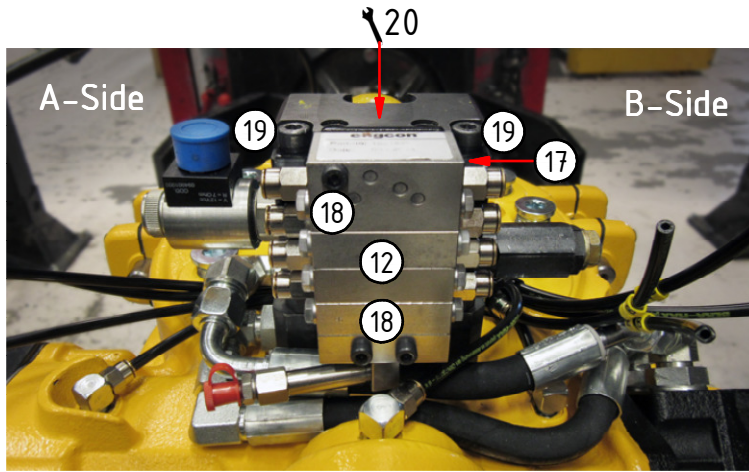


POS	DESCRIPTION	PART	QTY	COMMENTS
3	Adapter 90° R1/8"	710199	6	
4	Adapter 45° R1/8"	712215	2	
5	Push-in R1/18" PGE06	790172	8	
6	Cylindrical pin $\varnothing 10 \times 24$	1020539	1	Part of rotator frame assembly
7	Plug	711503	1	Part of rotator frame assembly
8	Hose kit Lubrication	790187	1	
9	Hoses are marked with letters. Assemble to rotator frame first, all but 1B and 3A			
10	Valve block & swivel Complete	1019552	1	Part of rotator frame assembly See subheading Valve blocks & Swivels for exploded view
11	When valve block and hoses are mounted, assemble 1B & 3A			



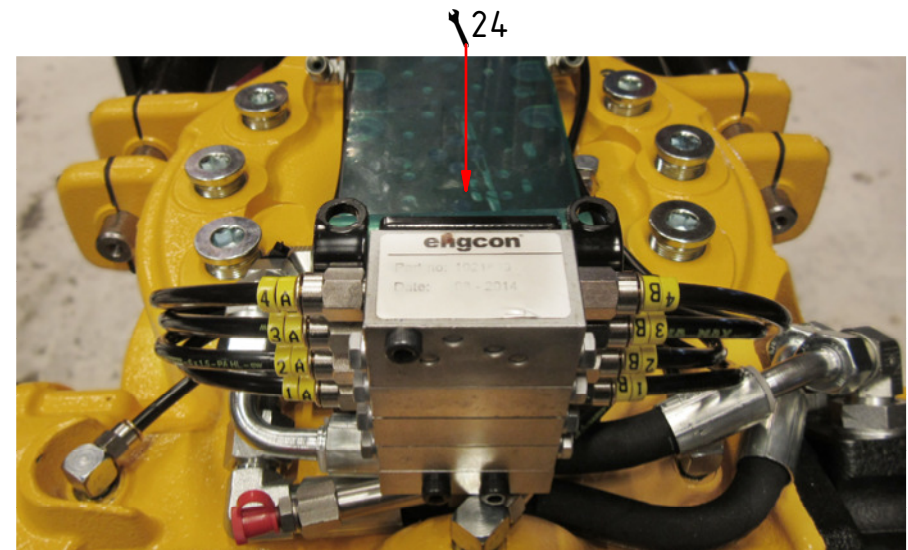
Dashed lines for overview, mounts on other pages/assemblies. indicates instruction. represents hose.





POS	DESCRIPTION	PART	QTY	COMMENTS
12	Dosing block MX-F	1021839	1	(POS.13-16 included)
13	Adapter 90° M10x1	790190	1	
14	Extender M10x1	790189	1	
15	Grease nipple H1 M10x1	790166	1	
16	Push-in 6mm R1/8"	790188	8	
17	Mounting plate central lubrication	1021695	1	Part of rotator frame assembly
18	Socket Head Screw 5x35	610404	3	Part of rotator frame assembly
19	Socket Head Screw 8x90	610444	2	Part of control system assembly
20	Temporarily attach pressure reduction block (part of control system assembly)			
21	Assemble B-side			
22	Assemble A-side			
23	Use cable ties			
24	Detach pressure reduction block			

POS in order of assembly



Dashed lines for overview, mounts on other pages/assemblies. ↘ indicates instruction. 🌀 represents hose.