

## COVERSHEET

## Planned document changes:

**Briefly:**

POS.24 glue instructions:  
Loxeal 83-52 for black steering,  
Loxeal 53-11 for stainless steering.

## Document changes:

<b>Date:</b>	<b>Change:</b>	<b>Rev. after change:</b>
2023-09-11	Layout/irrelevant.	L
2023-05-15	Screws updated to ZFSSL. Spare parts updated.	K
2021-03-04	Cover plate details updated. Plugs excluded from cyl.	J
2020-03-30	Lock cylinder replaced. Hook replaced.	I
2019-01-15	Spare parts updated.	H
2018-11-30	Lock cylinder replaced.	G
2018-05-24	Layout/irrelevant.	F
2018-04-12	Layout/irrelevant.	E
2018-02-22	QSC & spare parts updated. Coversheet added.	D

*Readers note:*

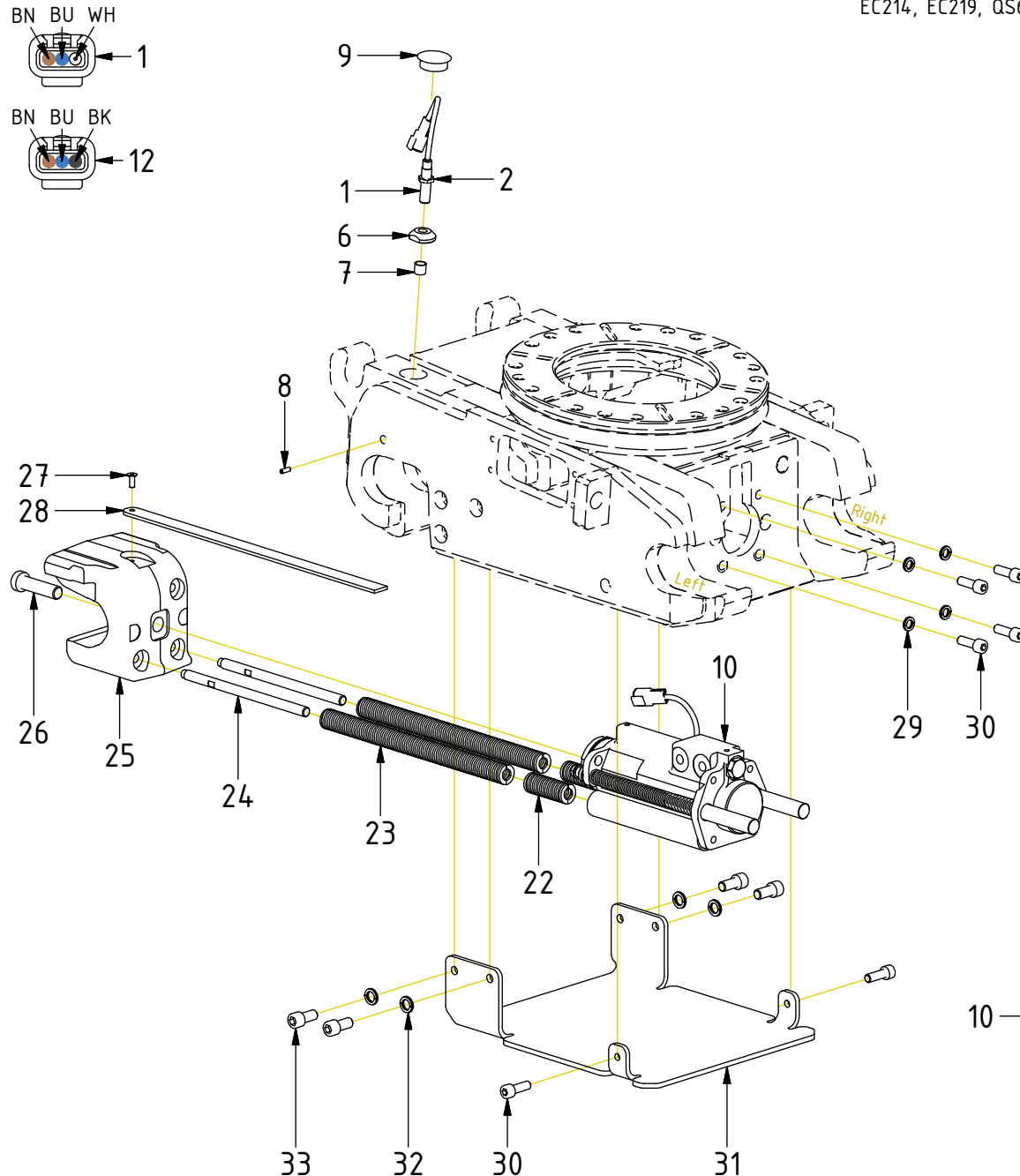
Indicates instruction.



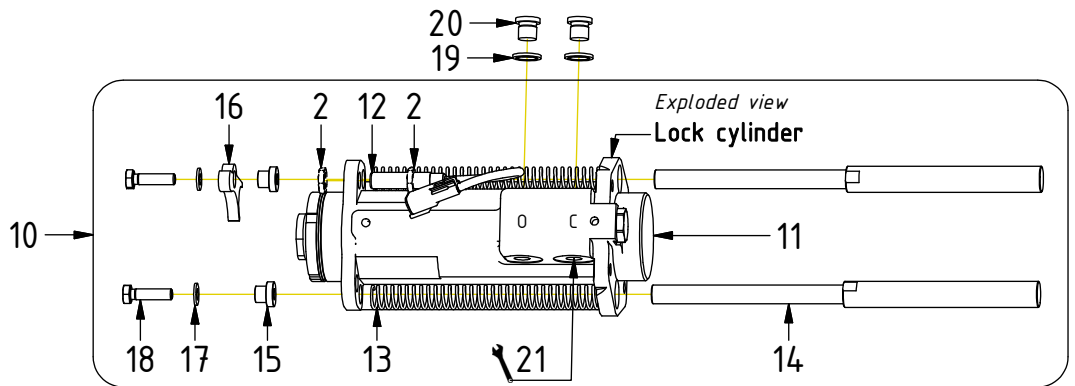
Represents Hose.

Dashed lines for overview, mounts  
on other pages/assemblies.

# Std. Hitch components - QS60

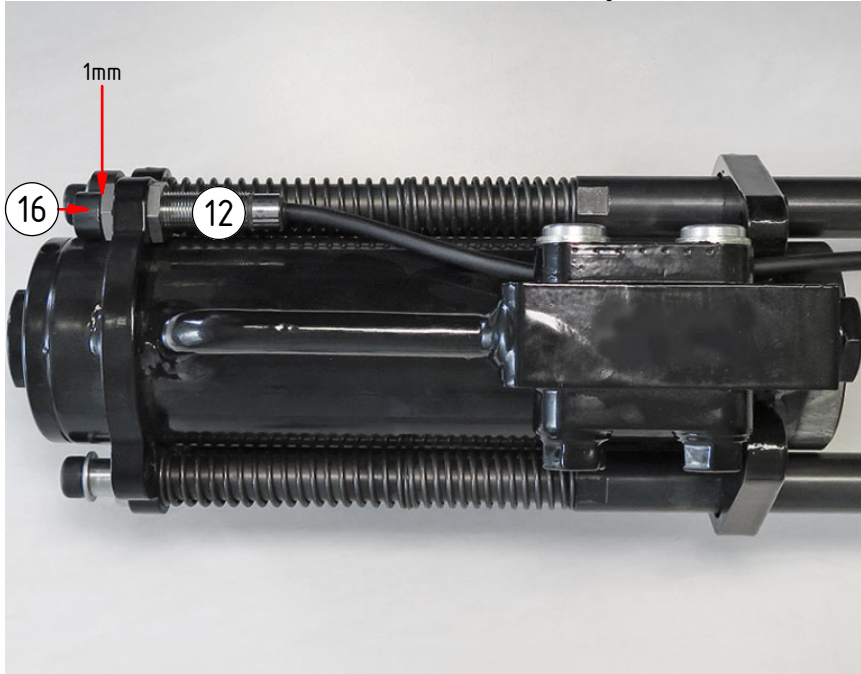


POS	DESCRIPTION	PART	QTY	COMMENTS
1	Inductive sensor QSC (hook)	1040358	1	Mount just below surface edge
2	Hex nut			(Incl. with sensor)
6	Position nut, inductive sensor	1029432	1	
7	Protection lid, inductive sensor	8000056	1	
8	Set Screw M8x16	610808	1	
9	Cover plug QS/ECO	8000068	1	
10	Lock cyl. QS60 V4 Comp. Forg. QSC	1052550	1	(POS.11-18 incl.)
11	Lock cylinder QS60 V4 Forged	1045379	1	
12	Inductive sensor QSC (cylinder)	1040359	1	Mount 1mm from Sensor plate
13	Spring 16x175	1049973	2	
14	Ejector	1036405	2	
15	Spacer	1036406	2	
16	Sensor plate	1036413	1	Assemble with slight play
17	Flat Washer	611005	2	
18	Screw M6S M8x30 8,8 FZB	611538	2	Loxreal 83-52
19	Washer GBR04 1/4	710702	2	
20	Plug 1/4"	711505	2	
21	Placements differ on machine hitch			See "Machine hitch"
22	Spring 25x64	1024022	2	
23	Spring 25x305	1024021	2	
24	Steering	1025621	2	Loxreal 53-11
25	Hook V2 QS60 Cast	1046654	1	
26	Screw MLC6S M16x60 10.9	610721	1	Loxreal 83-52
27	Screw MF6S M6x16 10.9 untreated	610604	1	Loxreal 83-52
28	Indicator pin QS (610mm)	1036201	1	Cut to fit
29	Washer NL 10mm	611041	4	
30	Screw MC6S M10x30 12.9 ZFSHL	612018	6	QTY: 4 for EC-Oil
31	Cover plate QS60 V2 (hole on side)	1034517	1	No cover plate for EC-Oil
32	Washer NL 12mm	611042	4	
33	Screw MC6S M12x25 12.9 ZFSHL	6000164	4	



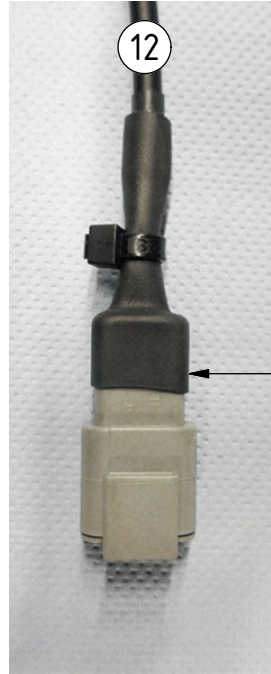
POS in order of assembly

## Sensor Cylinder



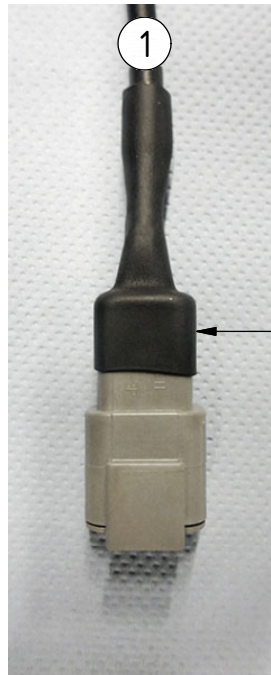
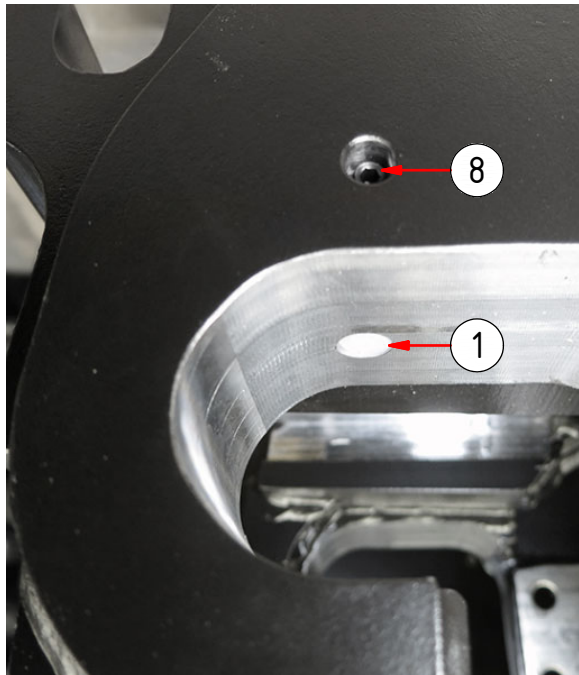
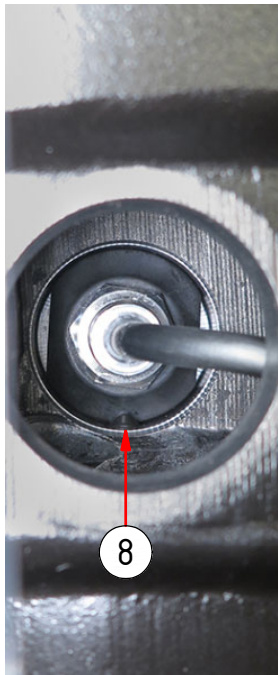
EC214, EC219, QS60

POS	DESCRIPTION	PART	QTY	COMMENTS
1	Inductive sensor QSC (hook)	1040358	1	Mount just below surface edge
3	Apply dielectric compound before inserting wedge. Peel cables 5mm			
4	Shrink tube on both connectors			
5	Cable tie on cylinder connector			
8	Set Screw M8x16	610808	1	
12	Inductive sensor QSC (cylinder)	1040359	1	Mount 1mm from Sensor plate
16	Sensor plate	1036413	1	Assemble with slight play



5  
4

## Sensor Hook



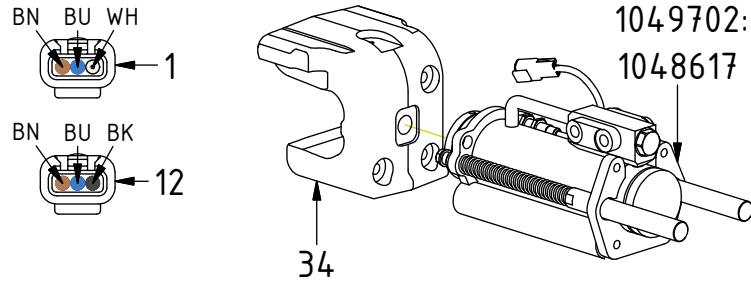
4

POS in order of assembly

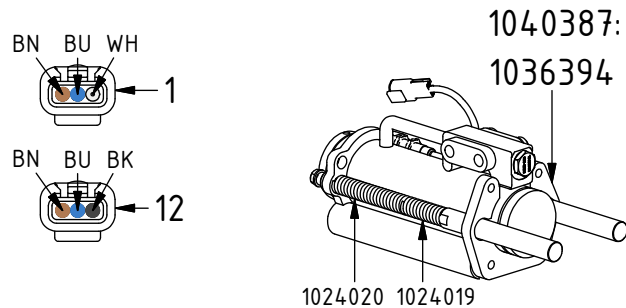
## SPARE PARTS

POS	DESCRIPTION	PART	QTY	COMMENTS
1	Inductive sensor QSC (hook)	1040358	1	Mount just below surface edge
10	Lock cyl. QS60 V4 Comp. Forg. QSC	1052550	1	(POS.11-18 incl.)
11	Lock cylinder QS60 V4 Forged	1045379	1	
12	Inductive sensor QSC (cylinder)	1040359	1	Mount 1mm from Sensor plate
25	Hook V2 QS60 Cast	1046654	1	
34	Hook QS60 Cast	1026154	1	Replaced by POS.25 from 2020-01
35	Spare part cyl. compl. (without QSC)	1058189	1	Spare part use only
36	Inductive sensor (DTM)	1029068	1	Replaced 2018
37	Inductive sensor (cylinder)	1036833	1	Replaced by POS.12 from 2018-01

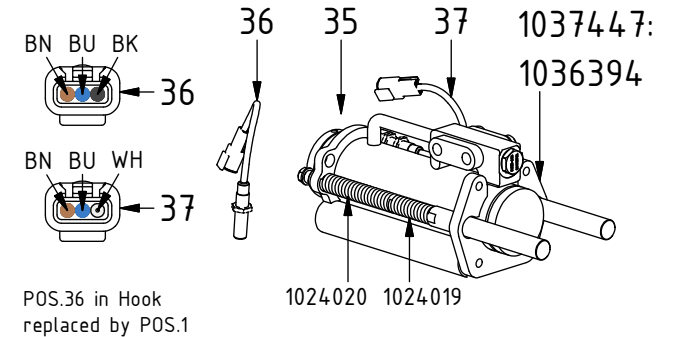
"V4 QSC" replaced by current version from 2020-01



"V3 QSC" replaced by "V4 QSC" from 2018-12



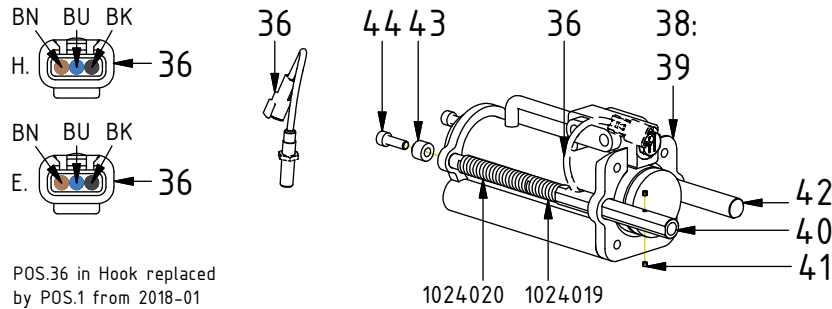
"V3" replaced by "V3 QSC" from 2018-01



## SPARE PARTS

POS	DESCRIPTION	PART	QTY	COMMENTS
1	Inductive sensor QSC (hook)	1040358	1	Mount just below surface edge
14	Ejector	1036405	2	
31	Cover plate QS60 V2 (hole on side)	1034517	1	No cover plate for EC-Oil
34	Hook QS60 Cast	1026154	1	Replaced by POS.25 from 2020-01
36	Inductive sensor (DTM)	1029068	1	Replaced 2018
37	Inductive sensor (cylinder)	1036833	1	Replaced by POS.12 from 2018-01
38	Lock cylinder QS60 V2 Complete	1033081	1	Replaced by 1037447 from 2016-08 (POS.19-20, 39-40, 42-44 incl.)
39	Lock cylinder QS60 V2	1027595	1	Replaced by 1036394 from 2016-08
40	Ejector with inductive sensor	1022799	1	Replaced by POS.14 from 2016-08 (POS.36, 41 incl.)
41	Set screw MC6S 8x25	610816	2	
42	Ejector	1022930	1	Replaced by POS.14 from 2016-08
43	Spacer	1025462	2	
44	Screw MC6S M8x25 12.9	610434	2	
45	Cover plate QS60 (holes in back)	1028105	1	Replacd by POS.31. Note holes
46	Inductive sensor without connector	810463	2	Replaced by POS.36 from 2015-04
47	Connector Deutsch DT04-6P	820109	1	Used until 2015-04
48	Pipe plug M12x1,5	711533	1	Used until 2016-01
49	Washer NL 8mm	611040	2	Used until 2016-01
50	Cable support QS60GR	1024453	1	(Still relevant on GRR)

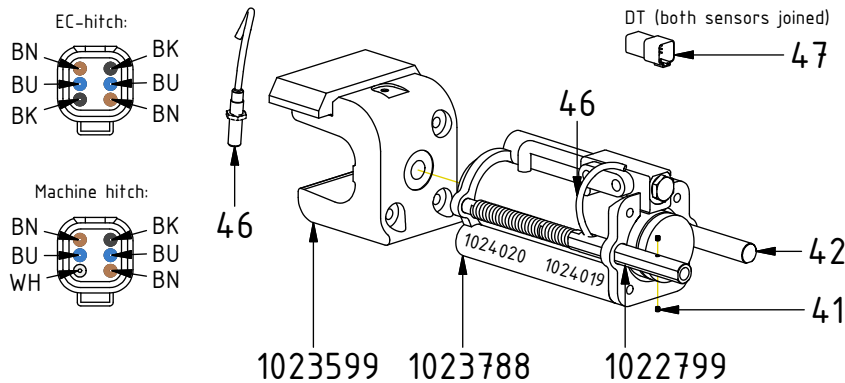
"V2" replaced by "V3" from 2016-08



POS.36 in Hook replaced by POS.1 from 2018-01

POS.36 on Ejector replaced by POS.37 on cylinder from 2016-08

"V1" replaced by "V2" from 2015-04



Replacing Hook with current version:  
Cylinder replacement is optional

Replacing Cylinder with current version:  
Hook must also be replaced

Replaced by POS.31 between 2016-2017.

