

COVERSHEET

Planned document changes:

Briefly:

No planned changes.

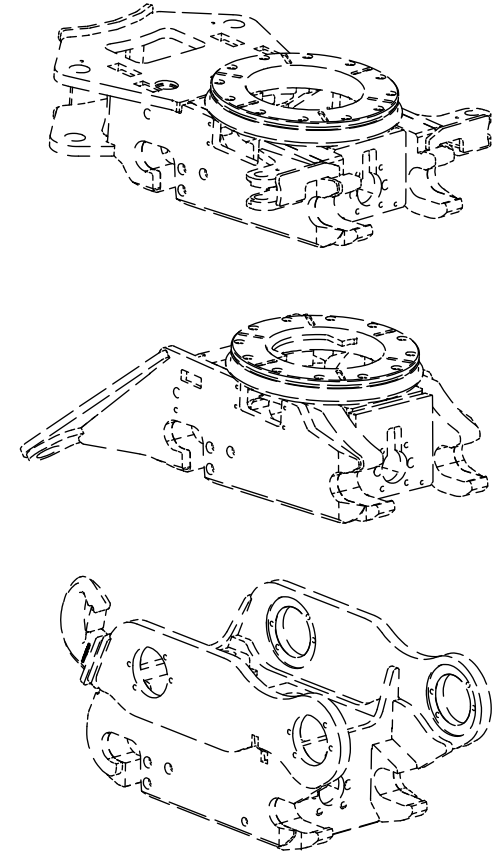
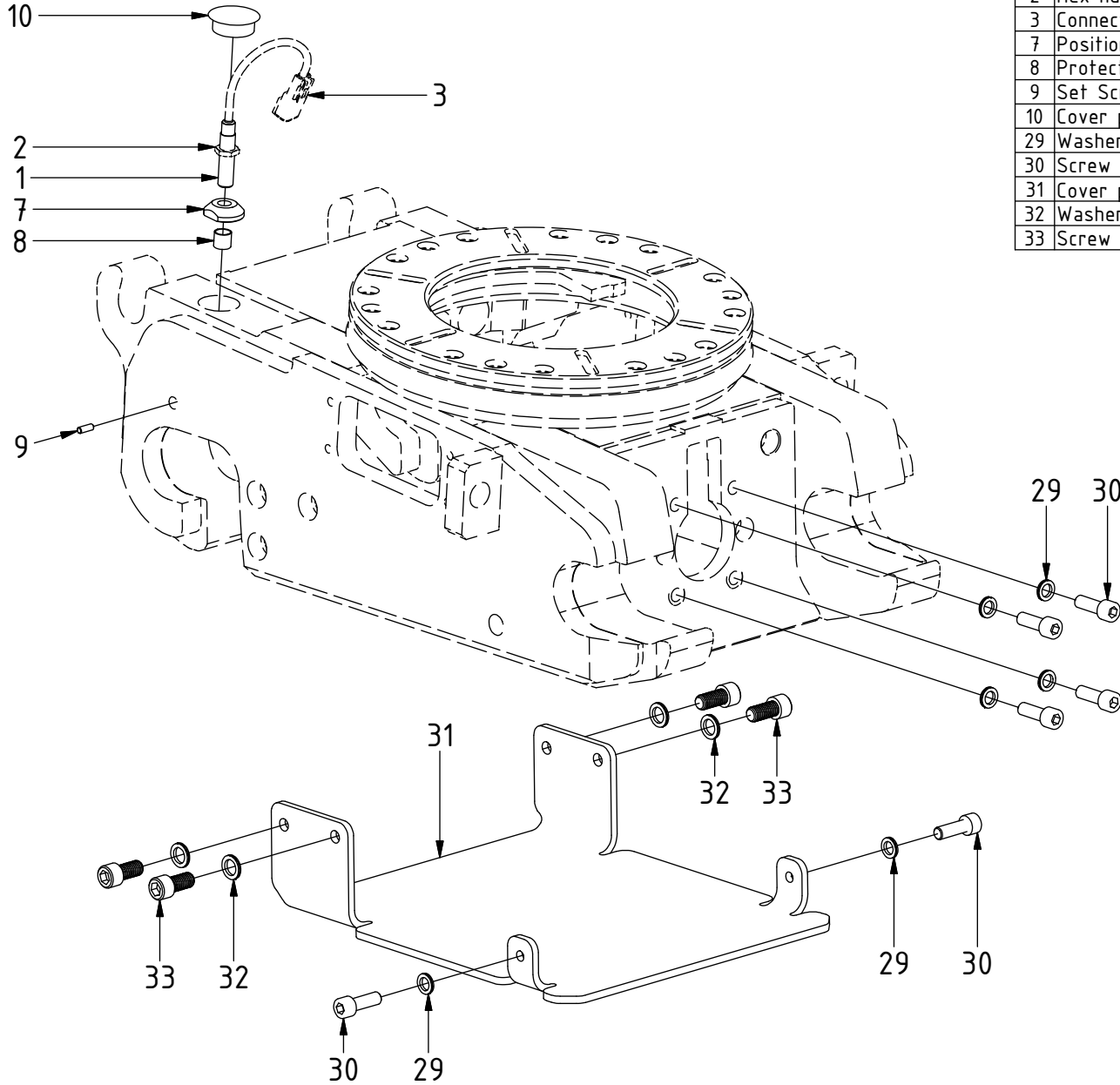
Document changes:

Date:	Change:	Rev. after change:
2020-03-30	Lock cylinder replaced. Hook replaced.	I
2019-01-15	Spare parts updated.	H
2018-11-30	Lock cylinder replaced. New spare parts page added.	G
2018-05-24	Layout/irrelevant.	F
2018-04-12	Layout/irrelevant.	E
2018-02-22	Major changes to all pages: photos, QSC, spare parts added and/or updated. Coversheet added.	D

QS60 - Std components

EC214, EC219, QS60

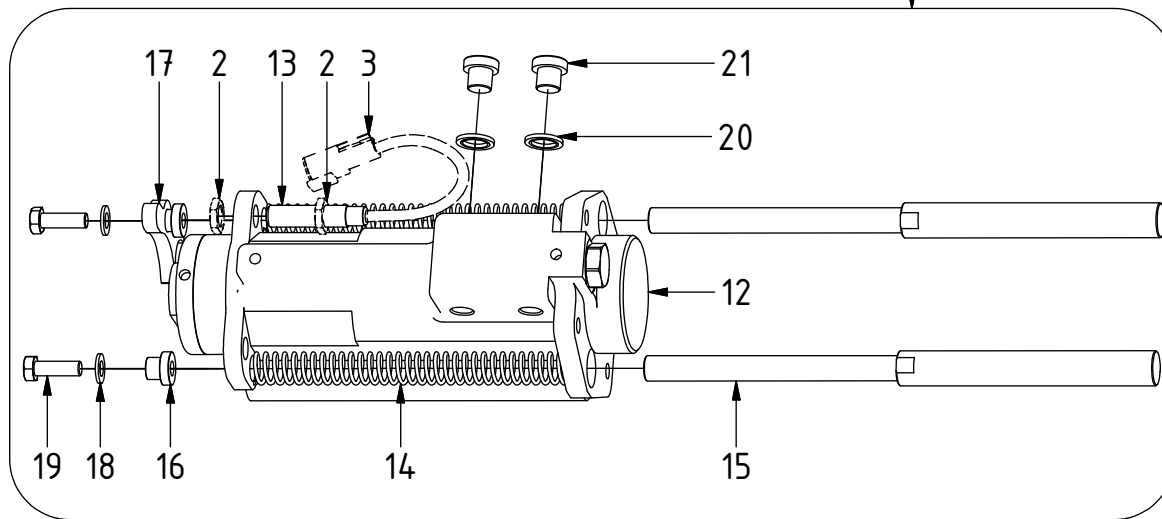
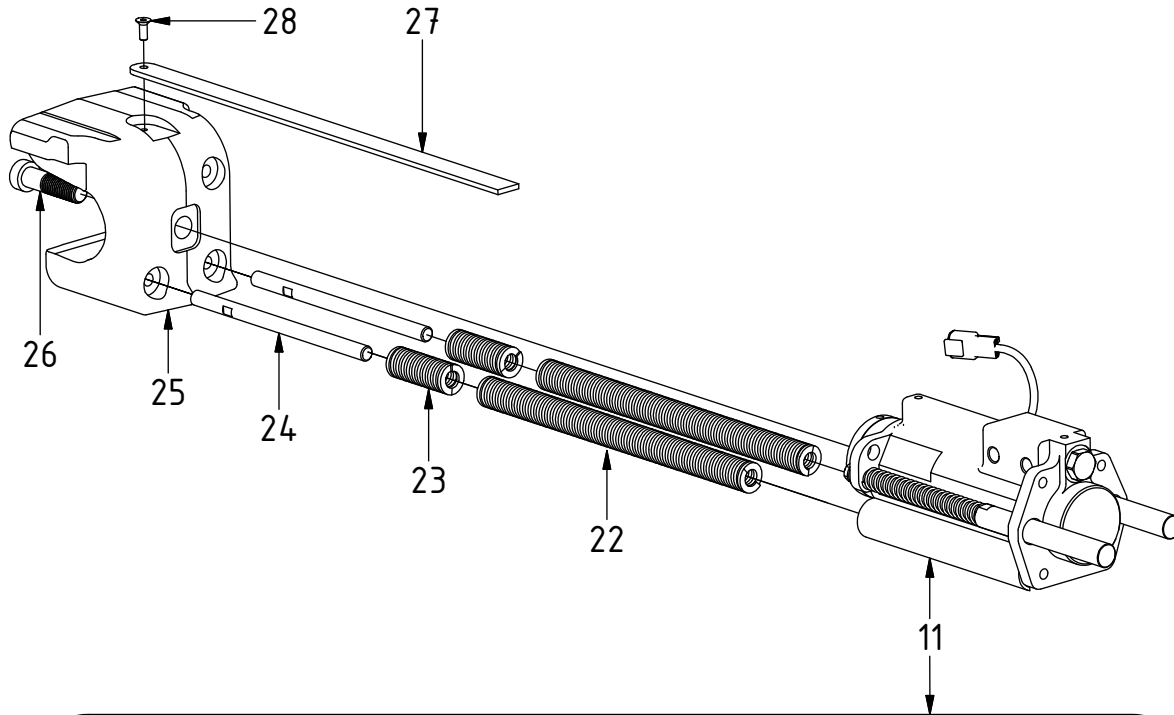
POS	DESCRIPTION	PART	QTY	COMMENTS
1	Inductive sensor QSC (hook)	1040358	1	Mount just below surface edge (POS.2-3 included)
2	Hex nut			(Included with sensor)
3	Connector Deutsch DTM04-3P	8000064	2	
7	Position nut, inductive sensor	1029432	1	Used from 2016-01
8	Protection lid, inductive sensor	8000056	1	Used from 2016-01
9	Set Screw M8x16	610808	1	Used from 2016-01
10	Cover plug QS/ECO	8000068	1	
29	Washer NL10	611041	6	QTY: 4 for EC-Oil
30	Screw MC6S 10x30	610452	6	QTY: 4 for EC-Oil
31	Cover plate QS60 V2 (hole on side)	1034517	1	No cover plate for EC-Oil
32	Washer NL12	611042	4	
33	Screw MC6S 12x25H	610473	4	



POS in order of assembly

QS60 - Std components

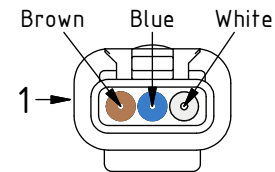
EC214, EC219, QS60



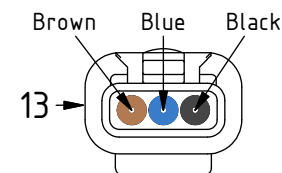
POS	DESCRIPTION	PART	QTY	COMMENTS
1	Inductive sensor QSC (hook)	1040358	1	Mount just below surface edge (POS.2-3 included)
2	Hex nut			(Included with sensor)
3	Connector Deutsch DTM04-3P	8000064	2	
11	Lock cyl. QS60 V4 Compl. Cast QSC	1052550	1	(POS.12-21 included)
12	Lock cylinder QS60 V4 Cast	1045379	1	See "Lock cylinders"
13	Inductive sensor QSC (cylinder)	1040359	1	Mount 1mm from Sensor plate (POS.2-3 included)
14	Spring 16x175	1049973	2	
15	Ejector	1036405	2	
16	Spacer	1036406	2	
17	Sensor plate	1036413	1	Assemble with slight play
18	Flat Washer	611005	2	
19	Screw M6S 8x25	610124	2	Loctite 2700
20	Seal washer GBR04 1/4"	710702	2	
21	Plug 1/4"	711505	2	
22	Spring 25x305	1024021	2	
23	Spring 25x64	1024022	2	
24	Steering	1025621	2	Loctite 6300
25	Hook V2 QS60 Cast	1046654	1	
26	Screw MLC6S 16x60	610721	1	Loctite 2700
27	Indicator pin QS (610mm)	1036201	1	Cut to fit
28	Screw MF6S 6x16	610604	1	

POS in order of assembly

Hook:



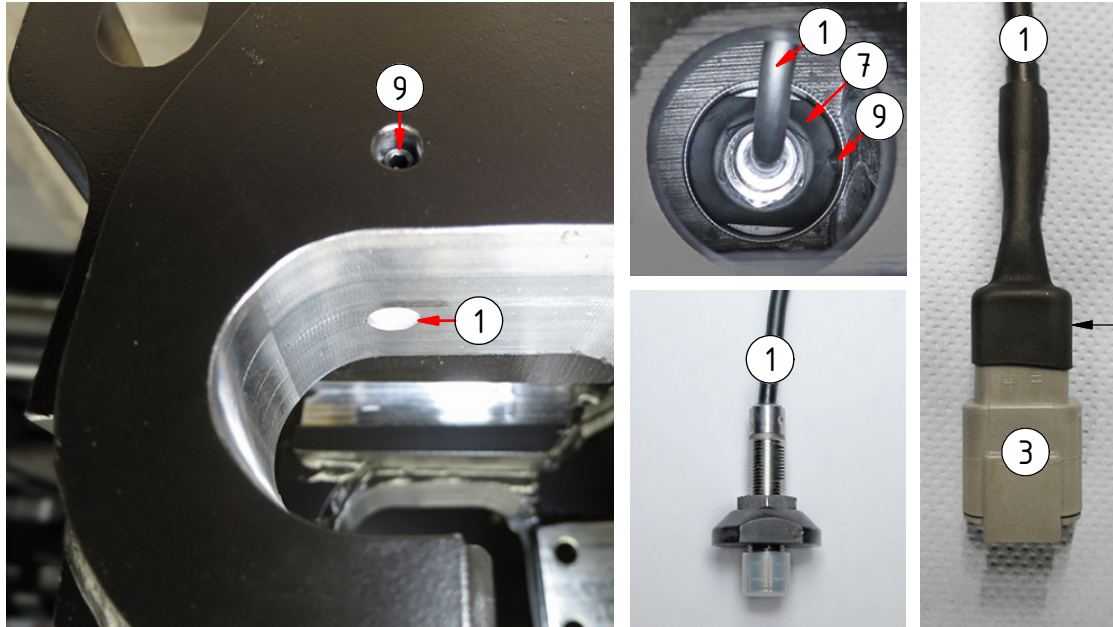
Cylinder:



QS60 - Std components

EC214, EC219, QS60

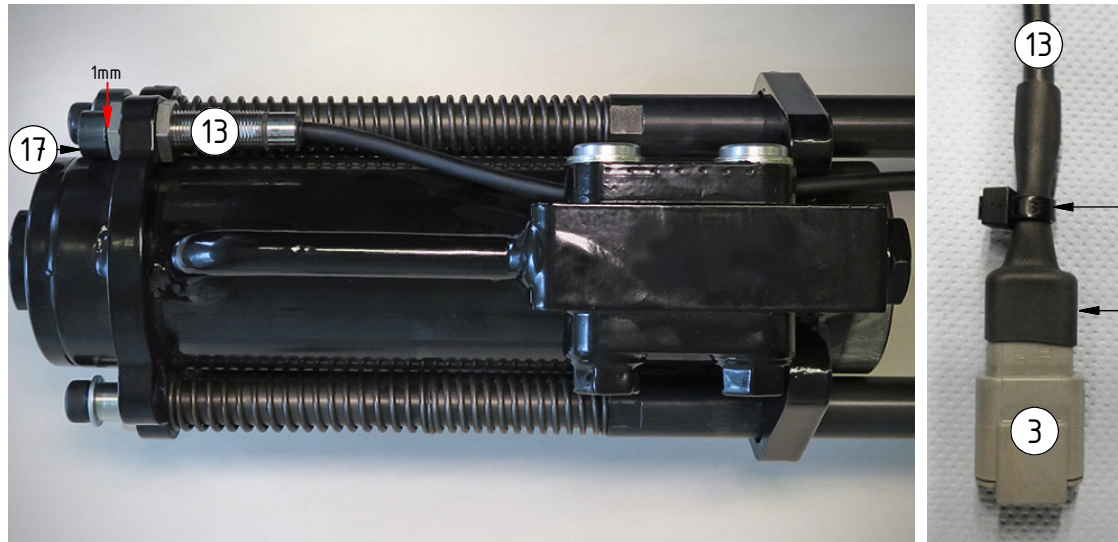
Hook:



POS	DESCRIPTION	PART	QTY	COMMENTS
1	Inductive sensor QSC (hook)	1040358	1	Mount just below surface edge (POS.2-3 included)
3	Connector Deutsch DTM04-3P	8000064	2	
4	Apply dielectric compound before inserting wedge. Peel cables 5mm			
5	Shrink tube on both connectors			
6	Cable tie on cylinder connector			
7	Position nut, inductive sensor	1029432	1	Used from 2016-01
9	Set Screw M8x16	610808	1	Used from 2016-01
13	Inductive sensor QSC (cylinder)	1040359	1	Mount 1mm from Sensor plate (POS.2-3 included)
17	Sensor plate	1036413	1	Assemble with slight play

POS in order of assembly

Cylinder:



QS60 - Std components

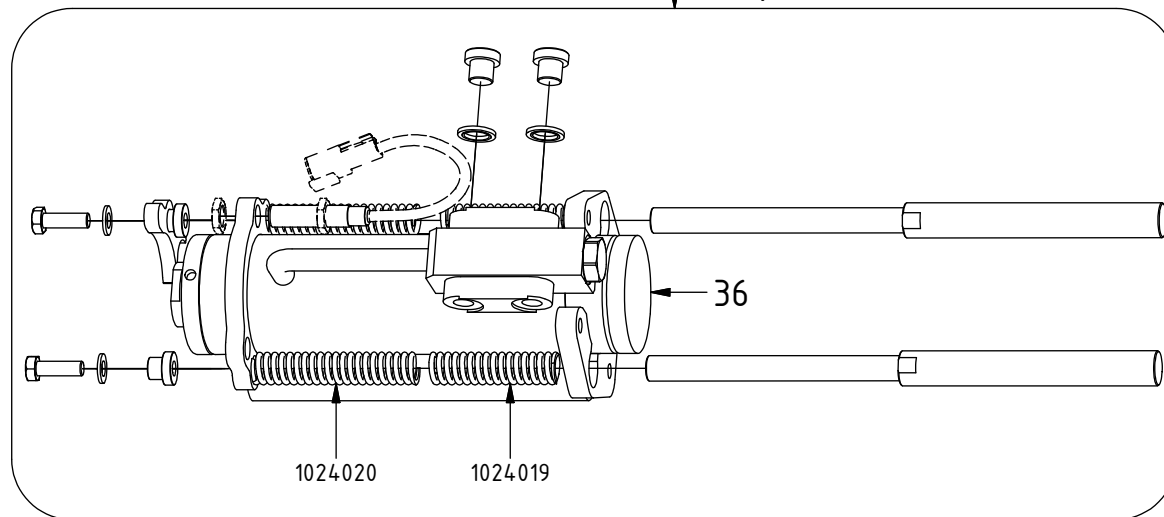
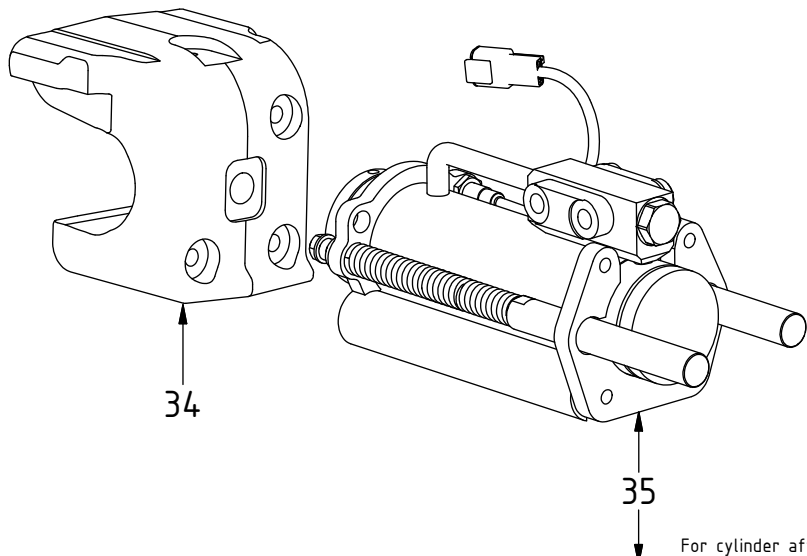
EC214, EC219, QS60

Related spare parts

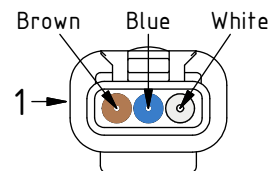
"V4 QSC" Replaced by "V4 QSC Cast" from 2020-01

POS	DESCRIPTION	PART	QTY	COMMENTS
11	Lock cyl. QS60 V4 Compl. Cast QSC	1052550	1	(POS.12-21 included)
12	Lock cylinder QS60 V4 Cast	1045379	1	See "Lock cylinders"
25	Hook V2 QS60 Cast	1046654	1	
34	Hook QS60 Cast	1026154	1	Replaced by POS.25 from 2020-01
35	Lock cylinder QS60 V4 Compl. QSC	1049702	1	Replaced by POS.11 from 2020-01 (POS.13, 15-21, 36 included)
36	Lock cylinder QS60 V4	1048617	1	Replaced by POS.12 from 2020-01

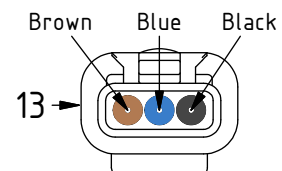
POS in order of assembly



Hook:



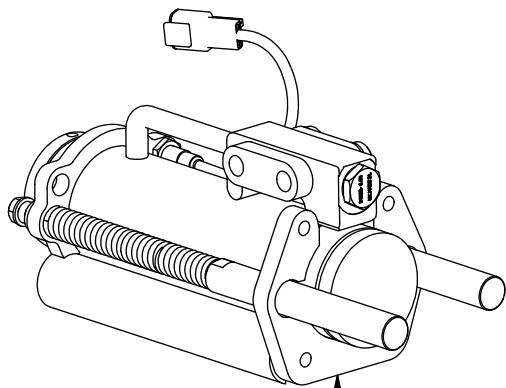
Cylinder:



Related spare parts

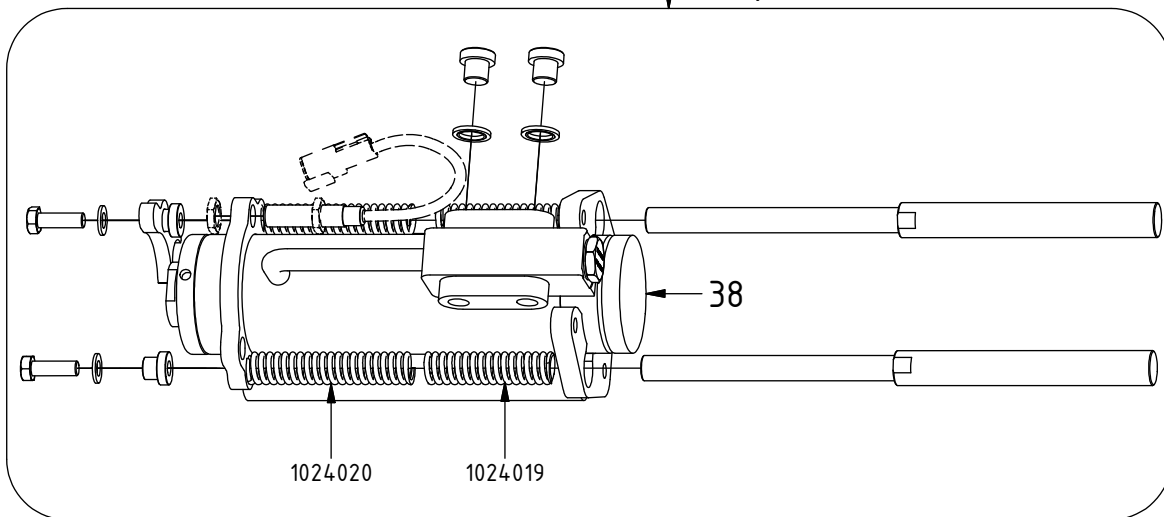
"V3 QSC" Replaced by "V4 QSC" from 2018-12

POS	DESCRIPTION	PART	QTY	COMMENTS
35	Lock cylinder QS60 V4 Compl. QSC	1049702	1	Replaced by POS.11 from 2020-01 (POS.13, 15-21, 36 included)
36	Lock cylinder QS60 V4	1048617	1	Replaced by POS.12 from 2020-01
37	Lock cylinder QS60 V3 Compl. QSC	1040387	1	Replaced by POS.35 from 2018-12 (POS.13, 15-21, 38 included)
38	Lock cylinder QS60 V3	1036394	1	Replaced by POS.36 from 2018-12

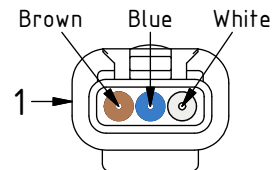


37

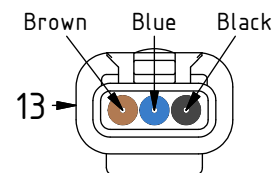
For cylinder after 2018-01 *without* QSC: use 1050635



Hook:

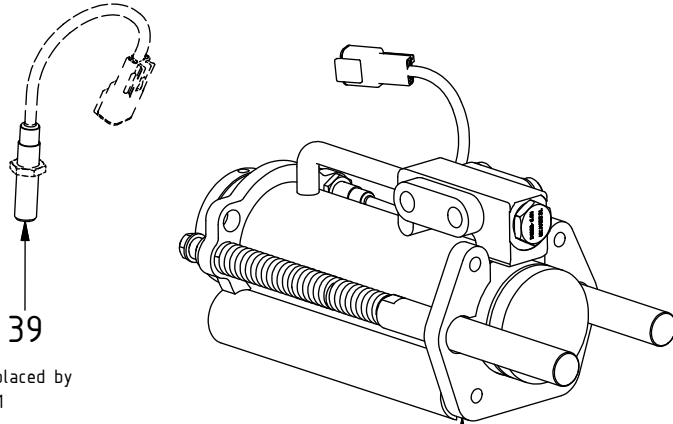


Cylinder:



Related spare parts

"V3" Replaced by "V3 QSC" from 2018-01

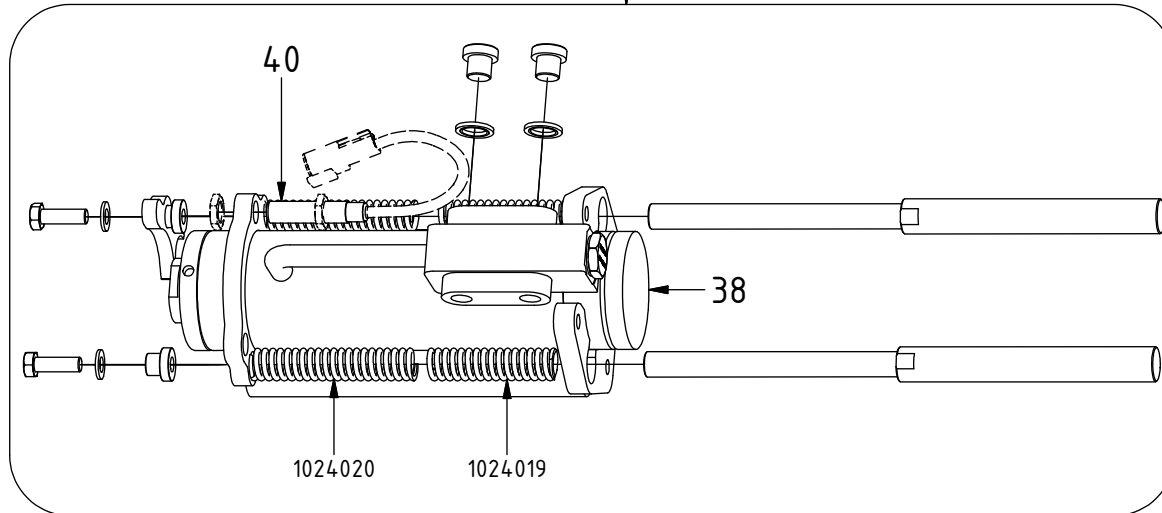


POS.39 in hook replaced by POS.1 from 2018-01

1037447

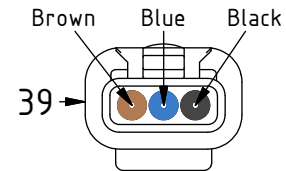
Used on models not QSC-ready until 2018-01, note connectors. Replaced by POS.37 from 2018-01

For cylinder after 2018-01 **without** QSC: use 1050635

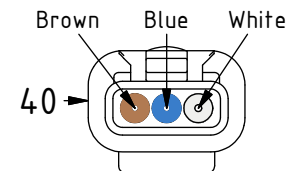


POS	DESCRIPTION	PART	QTY	COMMENTS
1	Inductive sensor QSC (hook)	1040358	1	Mount just below surface edge (POS.2-3 included)
13	Inductive sensor QSC (cylinder)	1040359	1	Mount 1mm from Sensor plate (POS.2-3 included)
36	Lock cylinder QS60 V4	1048617	1	Replaced by POS.12 from 2020-01
37	Lock cylinder QS60 V3 Compl. QSC	1040387	1	Replaced by POS.35 from 2018-12 (POS.13, 15-21, 38 included)
38	Lock cylinder QS60 V3	1036394	1	Replaced by POS.36 from 2018-12
39	Inductive sensor (DTM)	1029068	1	Replaced 2018. (POS.2-3 included) Mount just below surface edge
40	Inductive sensor (cylinder)	1036833	1	Replaced by POS.13 from 2018-01 Mount 1mm from Sensor plate (POS.2-3 included)
54	Lock cylinder QS60 V4 Compl. (Spare part only)	1050635	1	Replaces 1037447. Used without QSC (POS.14-21, 36, 40 included)

Hook:

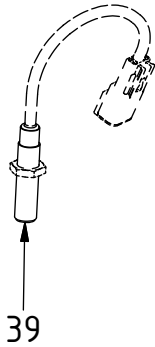


Cylinder:

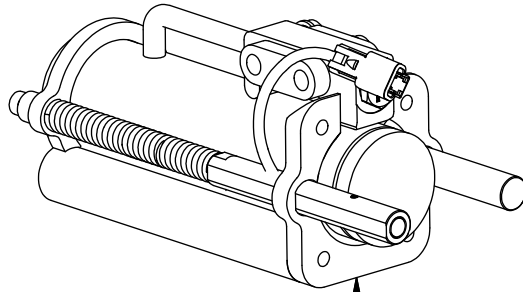


Related spare parts

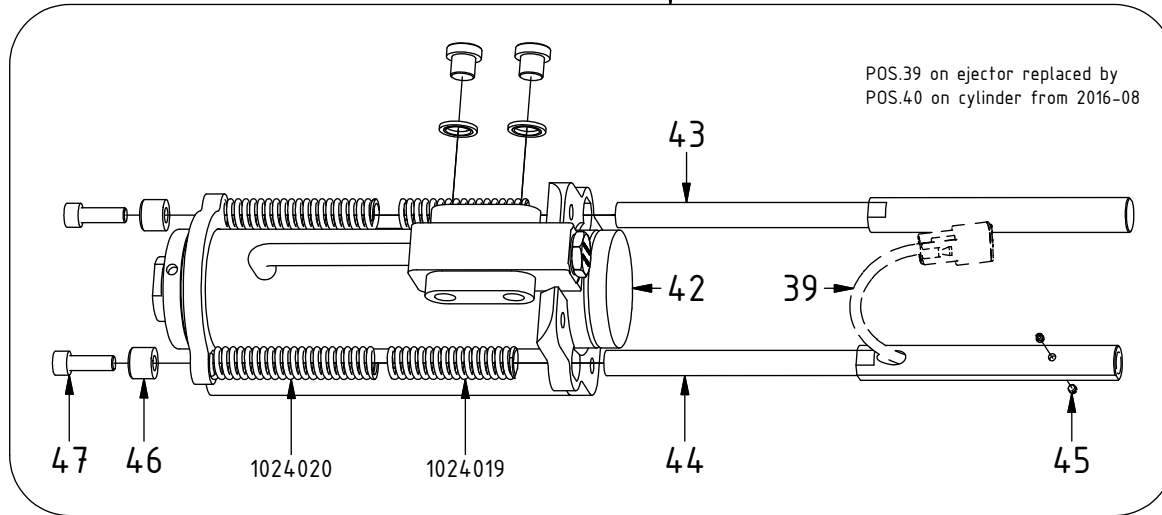
"V2" Replaced by "V3" from 2016-08



POS.39 in hook replaced by POS.1 from 2018-01



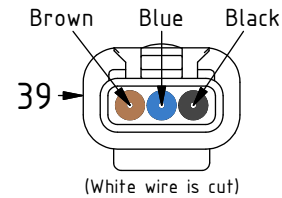
41



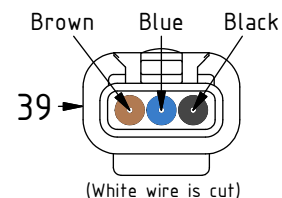
POS	DESCRIPTION	PART	QTY	COMMENTS
1	Inductive sensor QSC (hook)	1040358	1	Mount just below surface edge (POS.2-3 included)
15	Ejector	1036405	2	
31	Cover plate QS60 V2 (hole on side)	1034517	1	No cover plate for EC-Oil
38	Lock cylinder QS60 V3	1036394	1	Replaced by POS.36 from 2018-12
39	Inductive sensor (DTM)	1029068	1	Replaced 2018. (POS.2-3 included) Mount just below surface edge
40	Inductive sensor (cylinder)	1036833	1	Replaced by POS.13 from 2018-01 Mount 1mm from Sensor plate (POS.2-3 included)
41	Lock cylinder QS60 V2 Compl.	1033081	1	Replaced by 1037447 from 2016-08 (POS.20-21, 42-44, 46-47)
42	Lock cylinder QS60 V2	1027595	1	Replaced by POS.38 from 2016-08
43	Ejector	1022930	1	Replaced by POS.15 from 2016-08
44	Ejector with inductive sensor	1029066	1	Replaced by POS.15 from 2016-08 (POS.39, 45 included)
45	Screw MC6S 8x25	610816	2	Used until 2015-04
46	Spacer QS45	1025462	2	
47	Screw MC6S 8x25	610434	2	
48	Cover plate QS60 (holes in back)	1028105	1	Replacd by POS.31. Note holes

POS in order of assembly

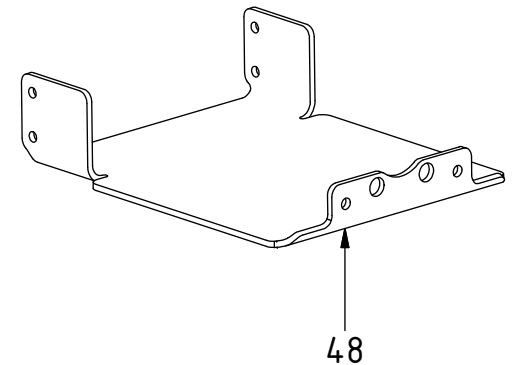
Hook:



Ejector:



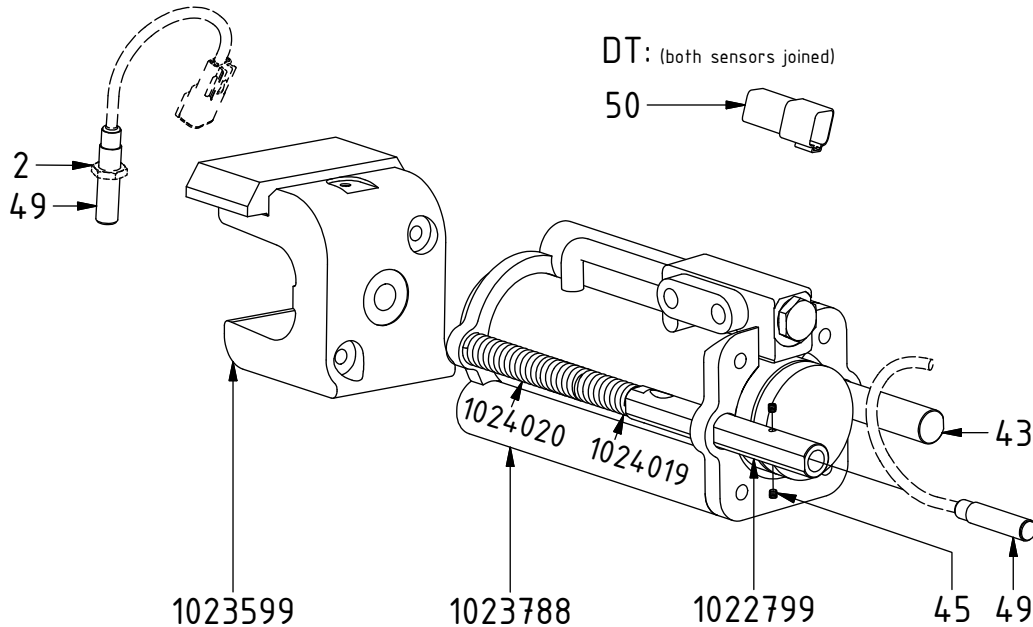
Replaced by POS.31 between 2016-2017.
Used on hitches with holes in back.



QS60 - Std components

Related spare parts

"V1" Replaced by "V2" from 2015-04



1023599

Replaced by POS.34 from 2015-04

Replacing Hook with current version: Lock cylinder replacement is optional

1023788

Replaced by POS.42 from 2015-02

Replacing Lock cylinder with current version: You must also replace the Hook

1022799

Replaced by POS.44 from 2015-04

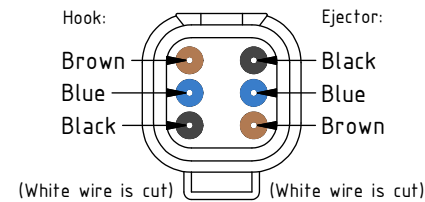
DT: (both sensors joined)

50

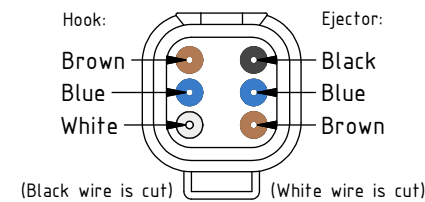
POS	DESCRIPTION	PART	QTY	COMMENTS
2	Hex nut			(Included with sensor)
3	Connector Deutsch DTM04-3P	8000064	2	
15	Ejector	1036405	2	
34	Hook QS60 Cast	1026154	1	Replaced by POS.25 from 2020-01
39	Inductive sensor (DTM)	1029068	1	Replaced 2018. (POS.2-3 included) Mount just below surface edge
42	Lock cylinder QS60 V2	1027595	1	Replaced by POS.38 from 2016-08
43	Ejector	1022930	1	Replaced by POS.15 from 2016-08
44	Ejector with inductive sensor	1029066	1	Replaced by POS.15 from 2016-08 (POS.39, 45 included)
45	Screw MC6S 8x25	610816	2	Used until 2015-04
47	Screw MC6S 8x25	610434	2	
49	Inductive sensor without connector	810463	2	Replaced by POS.39 from 2015-04 (POS.2 included)
50	Connector Deutsch DT04-6P	820109	1	Replaced by POS.3 from 2015-04
51	Pipe plug M12x1,5	711533	1	Used until 2016-01
52	Washer NL8	611040	2	Used until 2016-01
53	Cable support QS60GR	1024453	1	Used until 2016-01 (Still relevant on GRR)

POS in order of assembly

EC-hitch:



Machine hitch:



Used until 2016-01

