

COVERSHEET

Planned document changes:

Briefly:

No planned changes.

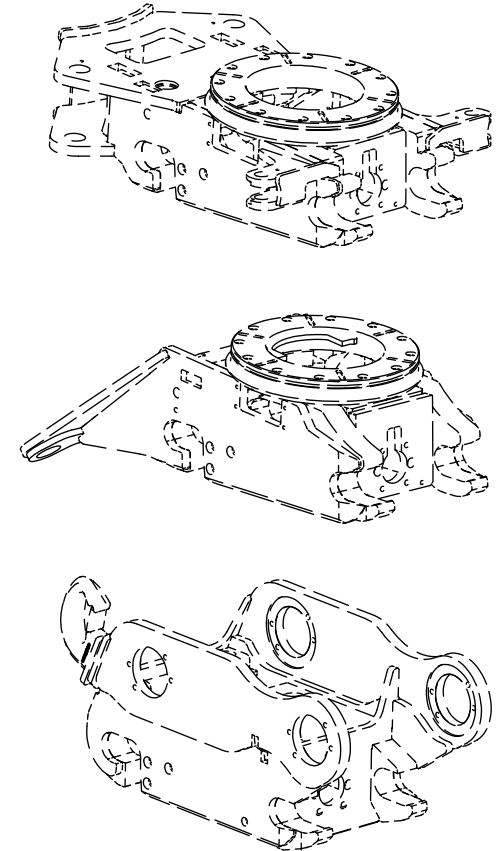
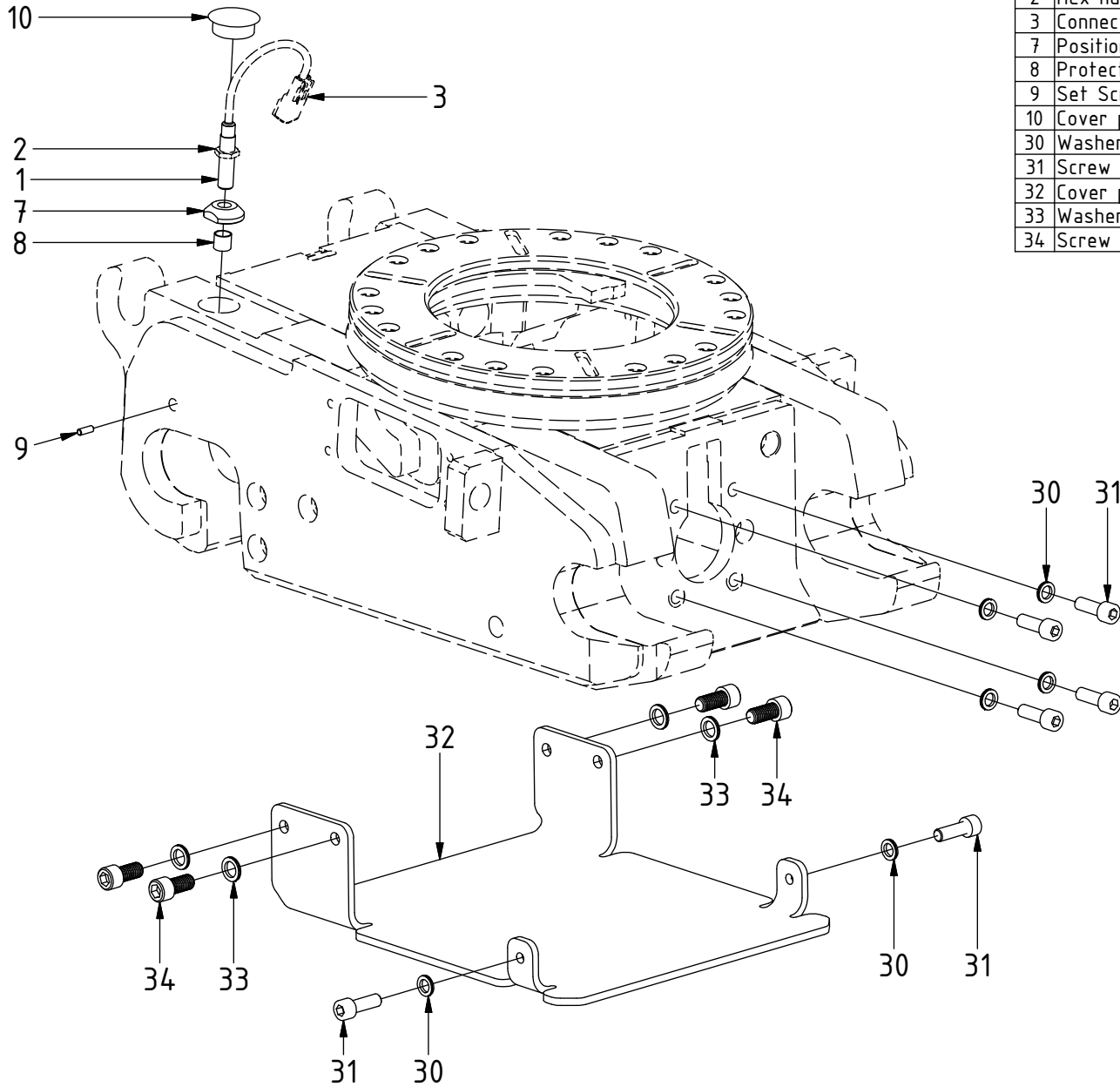
Document changes:

Date:	Change:	Rev. after change:
2019-01-15	Missing loctite in partslist added. Spare parts updated.	H
2018-11-30	Lock cylinder replaced. New spare parts page added.	G
2018-05-24	Layout/irrelevant.	F
2018-04-12	Layout/irrelevant.	E
2018-02-22	Major changes to all pages: photos, QSC, spare parts added and/or updated. Coversheet added.	D

QS60 - Std components

EC214, EC219, QS60

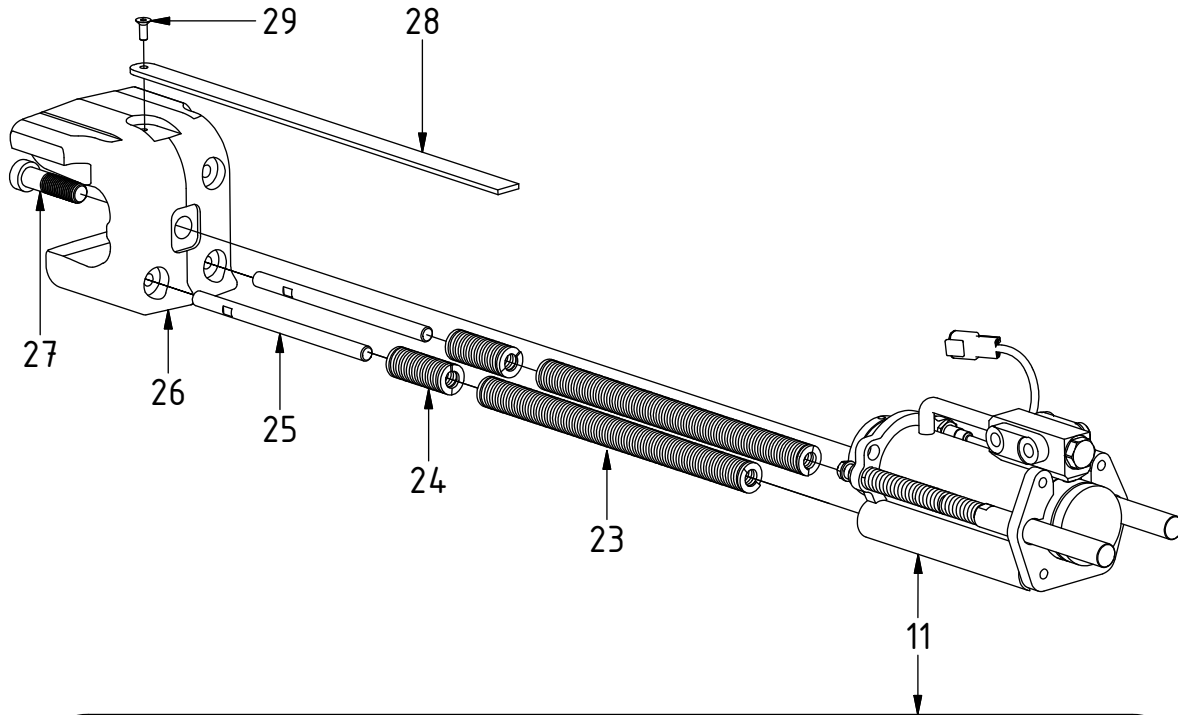
POS	DESCRIPTION	PART	QTY	COMMENTS
1	Inductive sensor QSC (hook)	1040358	1	Mount just below surface edge (POS.2-3 included)
2	Hex nut			(Included with sensor)
3	Connector Deutsch DTM04-3P	8000064	2	
7	Position nut, inductive sensor	1029432	1	Used from 2016-01
8	Protection lid, inductive sensor	8000056	1	Used from 2016-01
9	Set Screw M8x16	610808	1	Used from 2016-01
10	Cover plug QS/ECO	8000068	1	
30	Washer NL10	611041	6	QTY: 4 for EC-Oil
31	Screw MC6S 10x30	610452	6	QTY: 4 for EC-Oil
32	Cover plate QS60 V2 (hole on side)	1034517	1	No cover plate for EC-Oil
33	Washer NL12	611042	4	
34	Screw MC6S 12x25H	610473	4	



POS in order of assembly

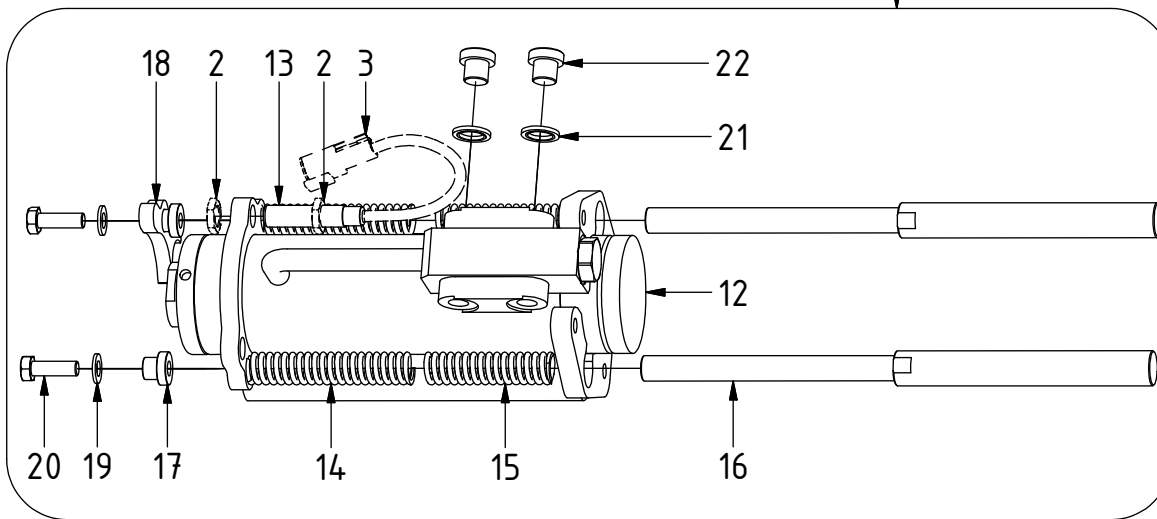
QS60 - Std components

EC214, EC219, QS60

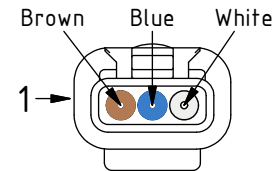


POS	DESCRIPTION	PART	QTY	COMMENTS
1	Inductive sensor QSC (hook)	1040358	1	Mount just below surface edge (POS.2-3 included)
2	Hex nut			(Included with sensor)
3	Connector Deutsch DTM04-3P	8000064	2	
11	Lock cylinder QS60 V4 Compl. QSC	1049702	1	(POS.12-22 included)
12	Lock cylinder QS60 V4	1048617	1	See "Lock cylinders"
13	Inductive sensor QSC (cylinder)	1040359	1	Mount 1mm from Sensor plate (POS.2-3 included)
14	Spring 16x104	1024020	2	
15	Spring 16x71	1024019	2	
16	Ejector	1036405	2	
17	Spacer	1036406	2	
18	Sensor plate	1036413	1	Assemble with slight play
19	Flat Washer	611005	2	
20	Screw M6S 8x25	610124	2	Loctite 2700
21	Seal washer GBR04 1/4"	710702	2	
22	Plug 1/4"	711505	2	
23	Spring 25x305	1024021	2	
24	Spring 25x64	1024022	2	
25	Steering	1025621	2	Loctite 2700
26	Hook QS60 cast	1026154	1	
27	Screw MLC6S 16x60	610721	1	Loctite 2700
28	Indicator pin	1027361	1	Cut to fit
29	Screw MF6S 6x16	610604	1	

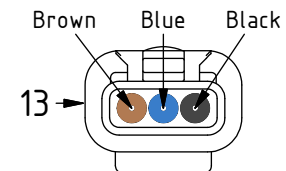
POS in: order of assembly



Hook:



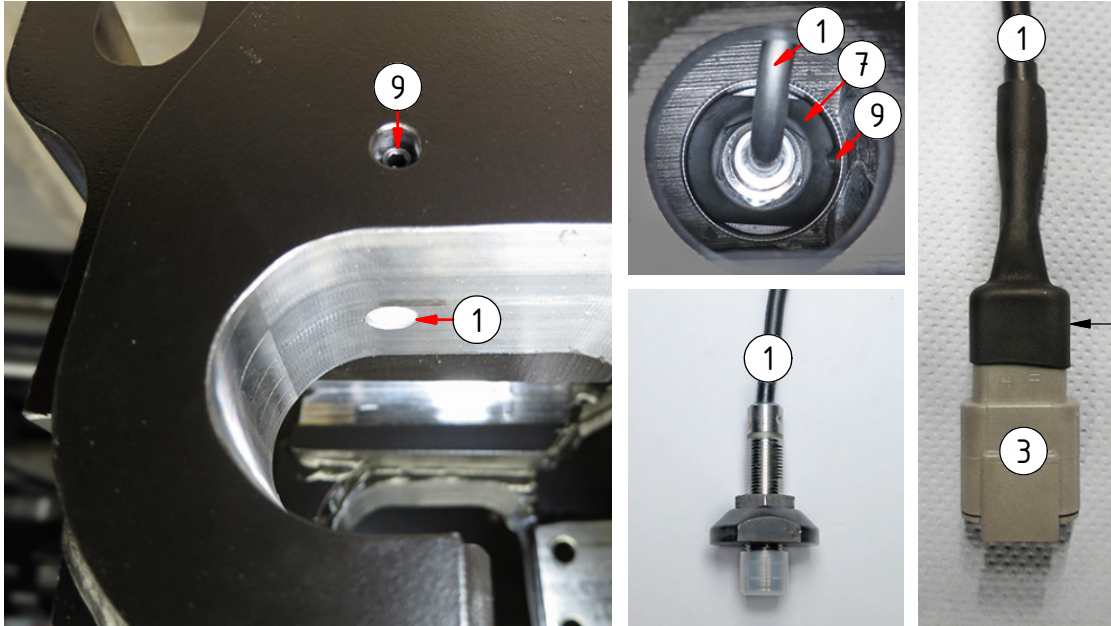
Cylinder:



QS60 - Std components

EC214, EC219, QS60

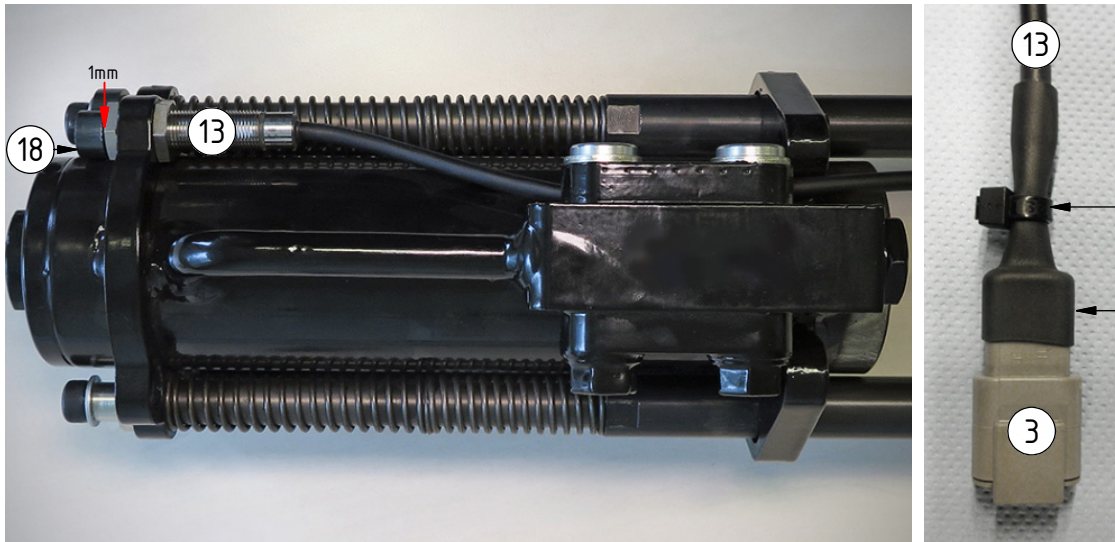
Hook:



POS	DESCRIPTION	PART	QTY	COMMENTS
1	Inductive sensor QSC (hook)	1040358	1	Mount just below surface edge (POS.2-3 included)
3	Connector Deutsch DTM04-3P	8000064	2	
4	Apply dielectric compound before inserting wedge. Peel cables 5mm			
5	Shrink tube on both connectors			
6	Cable tie on cylinder connector			
7	Position nut, inductive sensor	1029432	1	Used from 2016-01
9	Set Screw M8x16	610808	1	Used from 2016-01
13	Inductive sensor QSC (cylinder)	1040359	1	Mount 1mm from Sensor plate (POS.2-3 included)
18	Sensor plate	1036413	1	Assemble with slight play

POS in order of assembly

Cylinder:

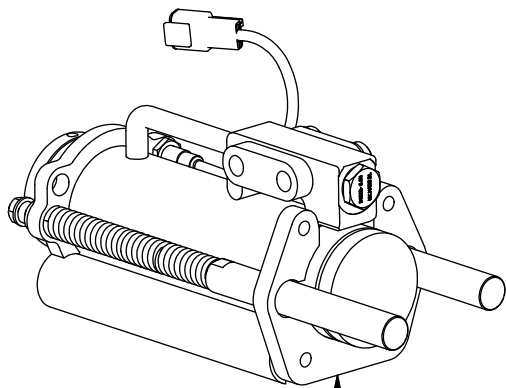


QS60 - Std components

Related spare parts:

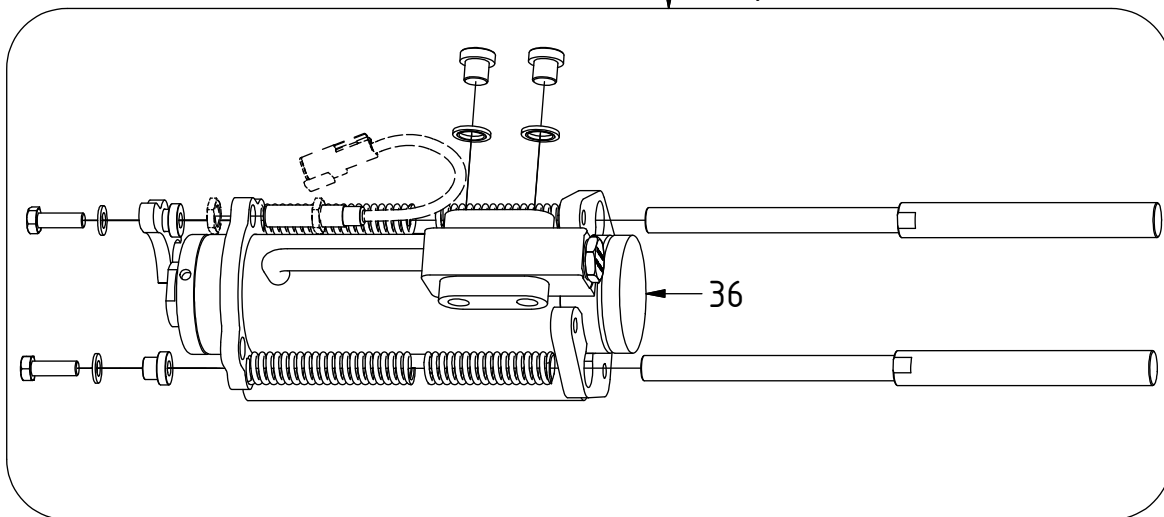
"V3 QSC" Replaced by "V4 QSC" from 2018-12

POS	DESCRIPTION	PART	QTY	COMMENTS
11	Lock cylinder QS60 V4 Compl. QSC	1049702	1	(POS.12-22 included)
12	Lock cylinder QS60 V4	1048617	1	See "Lock cylinders"
35	Lock cylinder QS60 V3 Compl. QSC	1040387	1	Replaced by POS.11 from 2018-12 (POS.13-22, 36 included)
36	Lock cylinder QS60 V3	1036394	1	Replaced by POS.12 from 2018-12



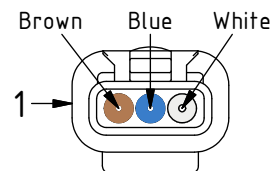
35

For cylinder after 2018-01 *without* QSC: use 1050635

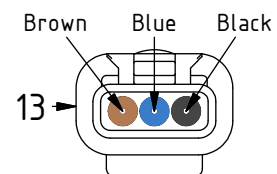


36

Hook:

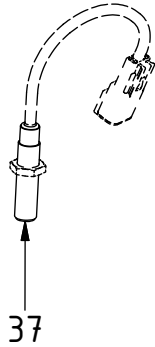


Cylinder:

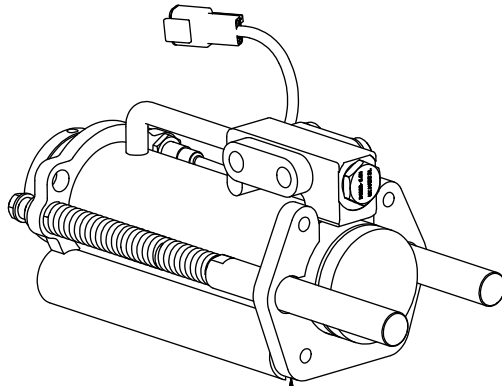


Related spare parts:

"V3" Replaced by "V3 QSC" from 2018-01



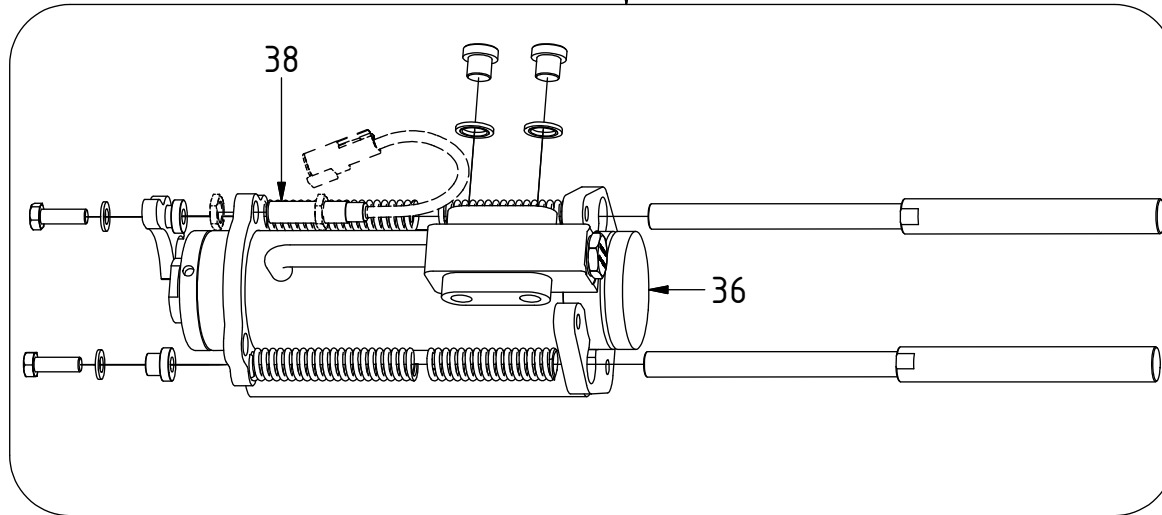
POS.37 in hook replaced by POS.1 from 2018-01



1037447

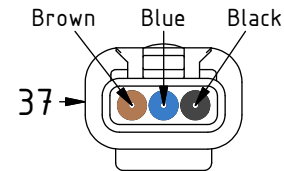
Used on models not QSC-ready until 2018-01, note connectors. Replaced by POS.35 from 2018-01

For cylinder after 2018-01 **without** QSC: use 1050635

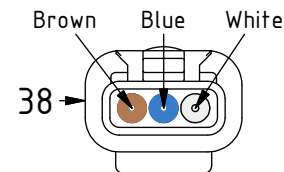


POS	DESCRIPTION	PART	QTY	COMMENTS
1	Inductive sensor QSC (hook)	1040358	1	Mount just below surface edge (POS.2-3 included)
12	Lock cylinder QS60 V4	1048617	1	See "Lock cylinders"
13	Inductive sensor QSC (cylinder)	1040359	1	Mount 1mm from Sensor plate (POS.2-3 included)
35	Lock cylinder QS60 V3 Compl. QSC	1040387	1	Replaced by POS.11 from 2018-12 (POS.13-22, 36 included)
36	Lock cylinder QS60 V3	1036394	1	Replaced by POS.12 from 2018-12
37	Inductive sensor (DTM)	1029068	1	Replaced 2018. (POS.2-3 included) Mount just below surface edge
38	Inductive sensor (cylinder)	1036833	1	Replaced by POS.13 from 2018-01 Mount 1mm from Sensor plate (POS.2-3 included)
52	Lock cylinder QS60 V4 Compl. (Spare part only)	1050635	1	Replaces 1037447. Used without QSC (POS.12, 14-22, 38 included)

Hook:



Cylinder:



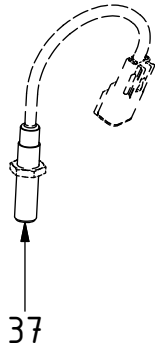
QS60 - Std components

POS in order of assembly

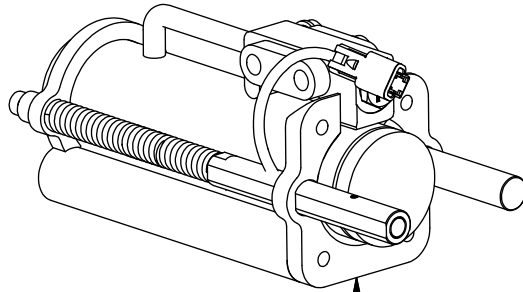
Related spare parts:

"V2" Replaced by "V3" from 2016-08

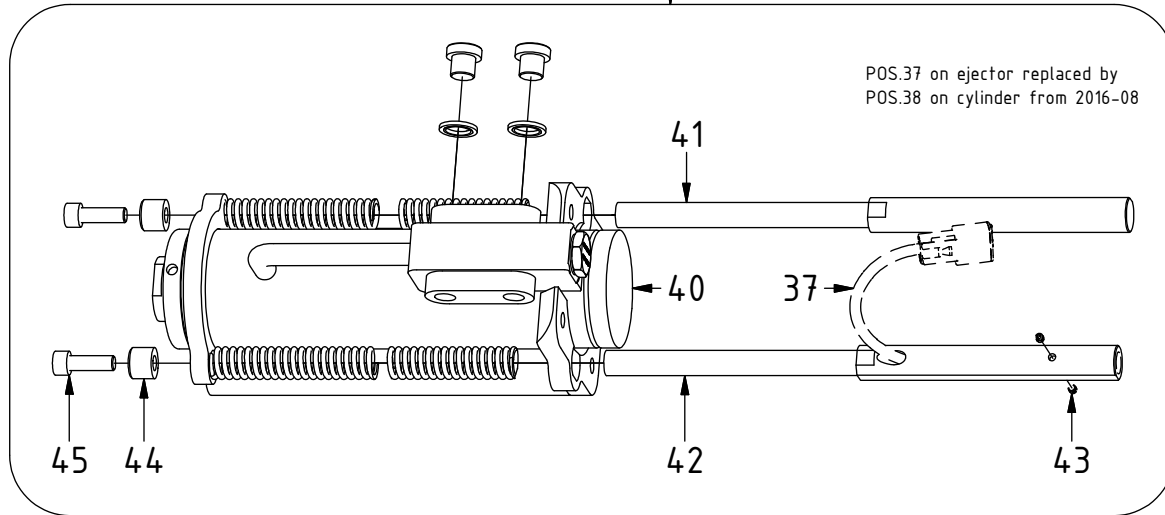
POS	DESCRIPTION	PART	QTY	COMMENTS
1	Inductive sensor QSC (hook)	1040358	1	Mount just below surface edge (POS.2-3 included)
16	Ejector	1036405	2	
32	Cover plate QS60 V2 (hole on side)	1034517	1	No cover plate for EC-Oil
36	Lock cylinder QS60 V3	1036394	1	Replaced by POS.12 from 2018-12
37	Inductive sensor (DTM)	1029068	1	Replaced 2018. (POS.2-3 included) Mount just below surface edge
38	Inductive sensor (cylinder)	1036833	1	Replaced by POS.13 from 2018-01 Mount 1mm from Sensor plate (POS.2-3 included)
39	Lock cylinder QS60 V2 Compl.	1033081	1	Replaced by 1037447 from 2016-08 (POS.14-15, 21-22, 40-42, 44-45)
40	Lock cylinder QS60 V2	1027595	1	Replaced by POS.36 from 2016-08
41	Ejector	1022930	1	Replaced by POS.16 from 2016-08
42	Ejector with inductive sensor	1029066	1	Replaced by POS.16 from 2016-08 (POS.37, 43 included)
43	Screw MC6S 8x25	610816	2	Used until 2015-04
44	Spacer QS45	1025462	2	
45	Screw MC6S 8x25	610434	2	
46	Cover plate QS60 (holes in back)	1028105	1	Replacd by POS.32. Note holes



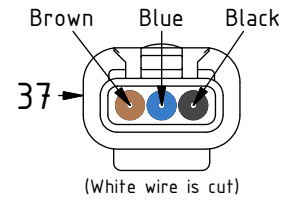
POS.37 in hook replaced by POS.1 from 2018-01



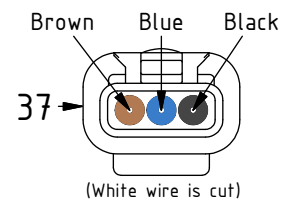
39



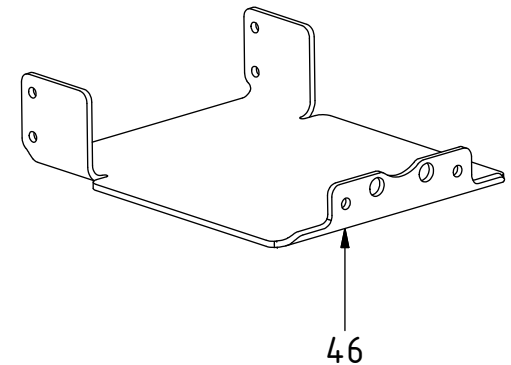
Hook:



Ejector:



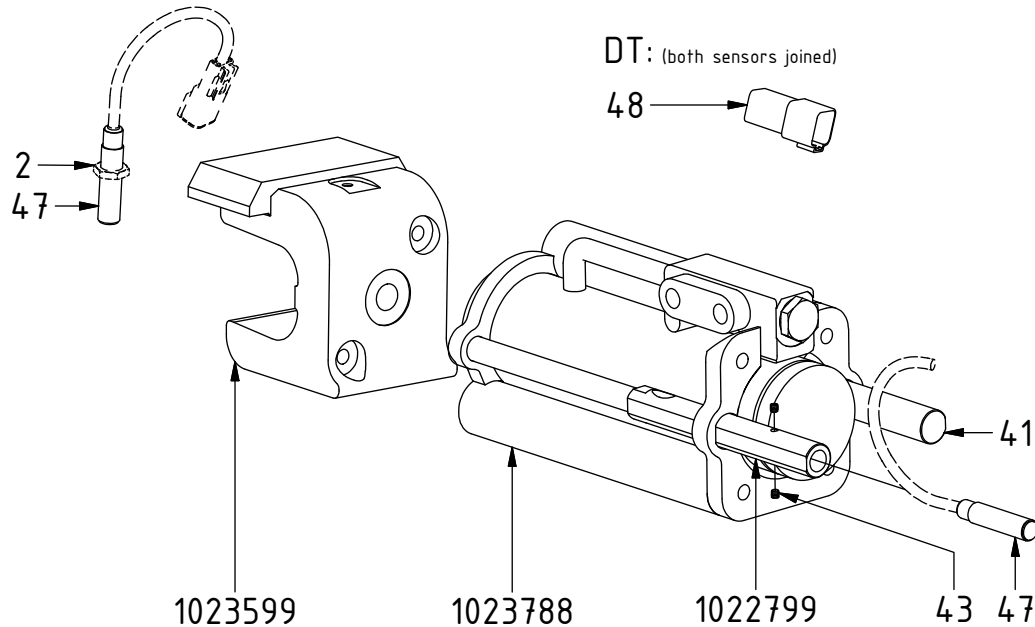
Replaced by POS.32 between 2016-2017.
Used on hitches with holes in back.



QS60 - Std components

Related spare parts:

"V1" Replaced by "V2" from 2015-04



1023599

Replaced by POS.26 from 2015-04

Replacing Hook with current version: Lock cylinder replacement is optional

1023788

Replaced by POS.40 from 2015-02

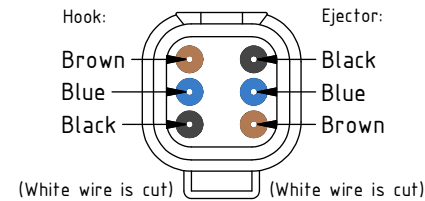
Replacing Lock cylinder with current version: You must also replace the Hook

1022799

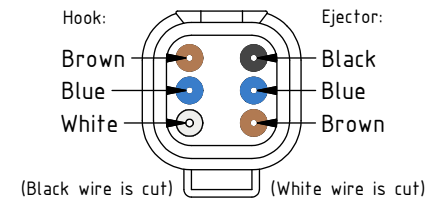
Replaced by POS.42 from 2015-04

POS	DESCRIPTION	PART	QTY	COMMENTS
2	Hex nut			(Included with sensor)
3	Connector Deutsch DTM04-3P	8000064	2	
16	Ejector	1036405	2	
26	Hook QS60 cast	1026154	1	
37	Inductive sensor (DTM)	1029068	1	Replaced 2018. (POS.2-3 included) Mount just below surface edge
40	Lock cylinder QS60 V2	1027595	1	Replaced by POS.36 from 2016-08
41	Ejector	1022930	1	Replaced by POS.16 from 2016-08
42	Ejector with inductive sensor	1029066	1	Replaced by POS.16 from 2016-08 (POS.37, 43 included)
43	Screw MC6S 8x25	610816	2	Used until 2015-04
45	Screw MC6S 8x25	610434	2	
47	Inductive sensor without connector	810463	2	Replaced by POS.37 from 2015-04 (POS.2 included)
48	Connector Deutsch DT04-6P	820109	1	Replaced by POS.3 from 2015-04
49	Pipe plug M12x1,5	711533	1	Used until 2016-01
50	Washer NL8	611040	2	Used until 2016-01
51	Cable support QS60GR	1024453	1	Used until 2016-01 (Still relevant on GRR)

EC-hitch:



Machine hitch:



Used until 2016-01

