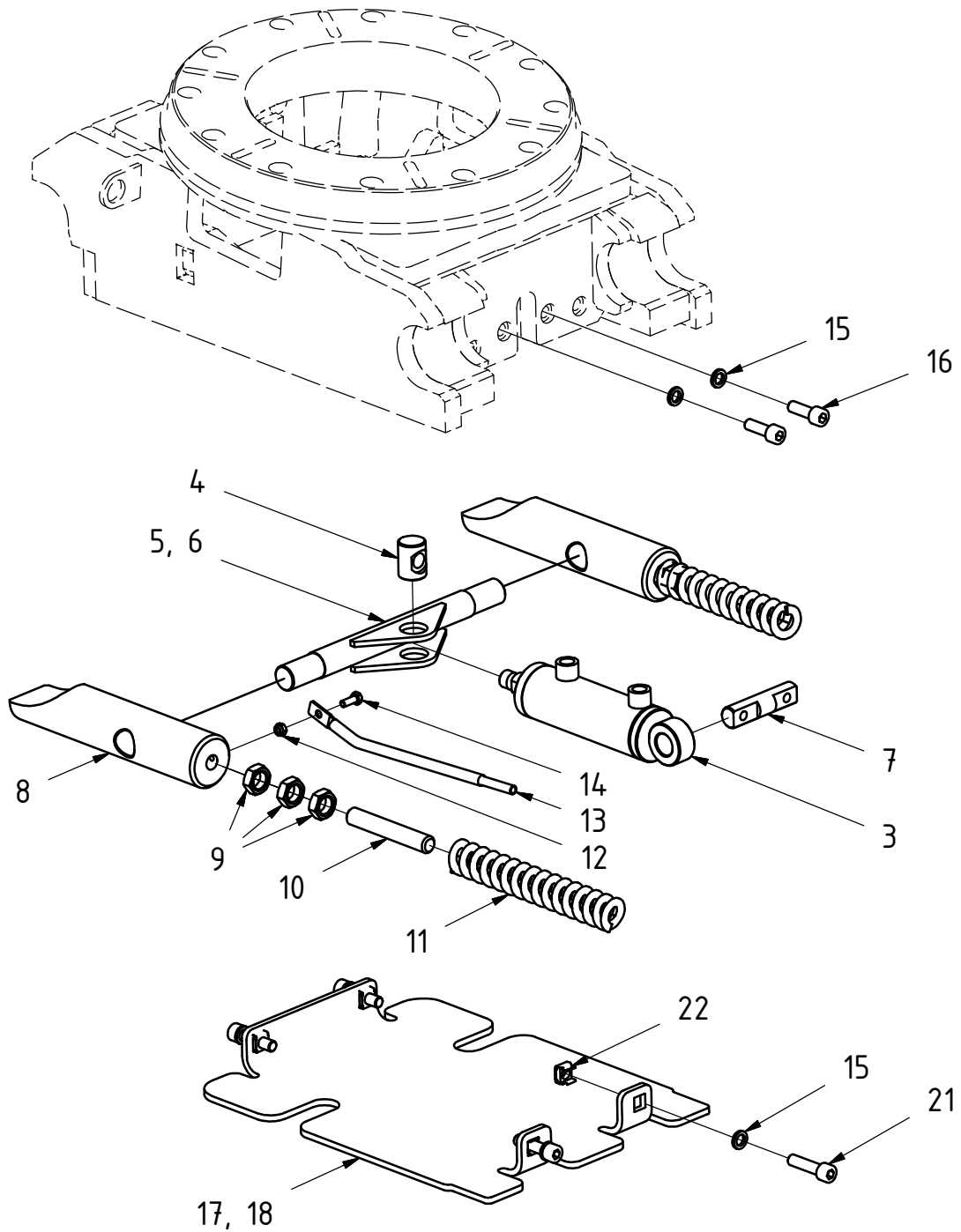
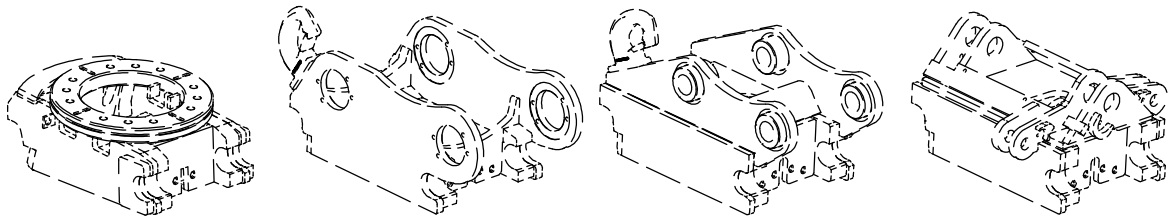


S60 - Std Components

EC15B, EC20B, EC214, EC219, RFS60, TFS60

Published: 2014-07-08

Drawing No: 1026402/



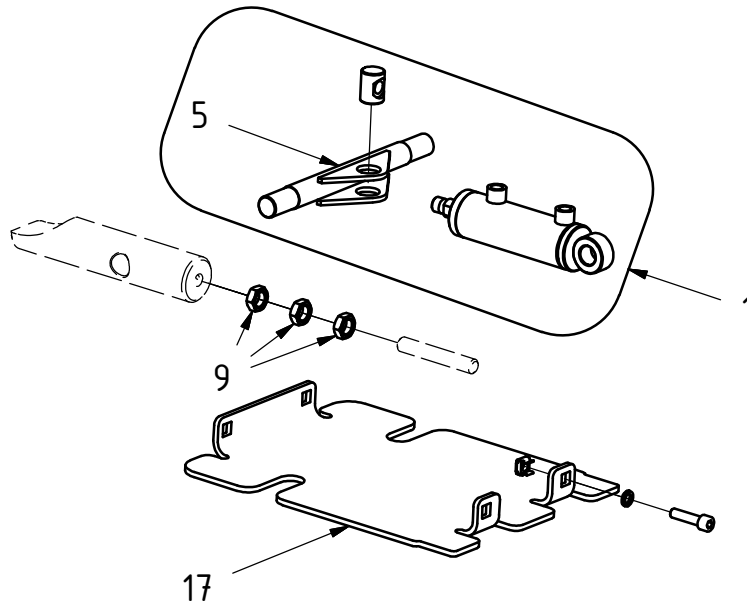
S60 - Std Components

EC15B, EC20B, EC214, EC219, RFS60, TFS60

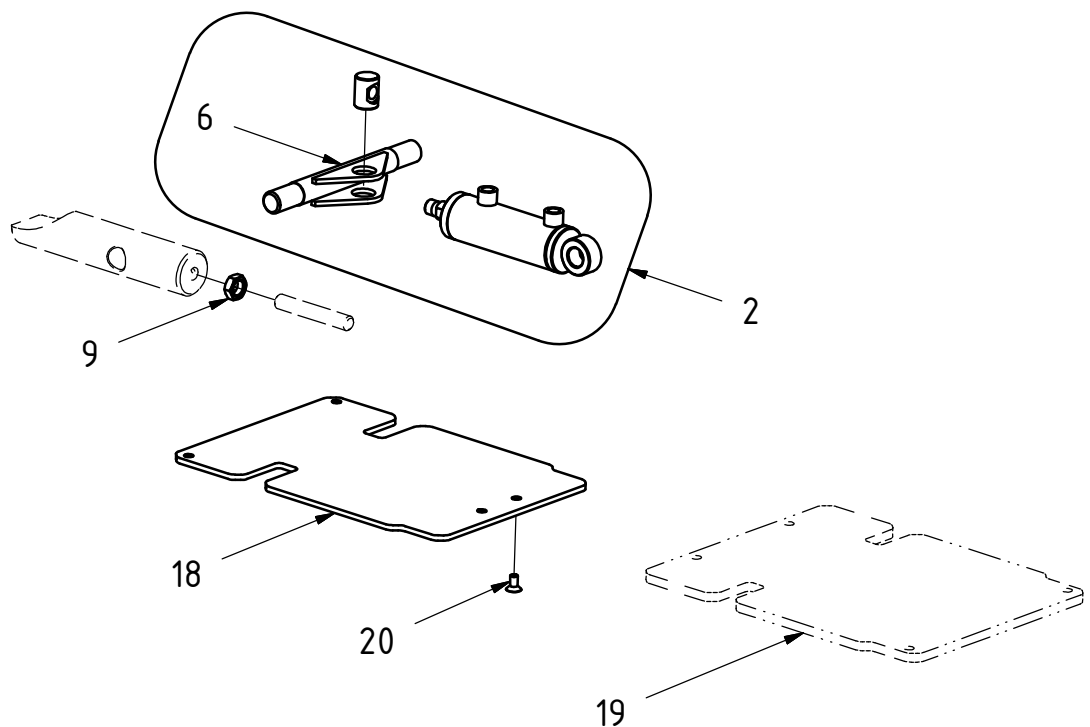
Published: 2014-07-08

Drawing No: 1026402/

EC219, RF & TF



EC15B & EC20B



S60 - Std Components

EC15B, EC20B, EC214, EC219, RFS60, TFS60

Published: 2014-07-08

Drawing No: 1026402/

POS	DESCRIPTION	PART	QTY	COMMENTS
1	Locking Cylinder S60 (EC219) Complete	400986	1	(POS. 3, 4, 5 included) See subheading Locking Cylinders for exploded view
2	Locking Cylinder S60 (EC15B/EC20B) Complete	400849	1	(POS. 3, 4, 6 included) See subheading Locking Cylinders for exploded view
3	Locking Cylinder	300732	1	
4	Locking Pin	400449	1	
5	Locking Yoke S60 (EC219)	301083	1	For EC219, RF & TF
6	Locking Yoke S60 (EC15B/EC20B)	301005	1	For EC15B & EC20B
7	Locking Shaft S45-S60	402537	1	
8	Locking Wedge	302331	2	
9	Flat Hex. Nut M16	610947	6	QTY: 2 for EC15B & EC20B (1 on each side)
10	Guide pin	400674	2	
11	Spring 32x203 Blue	640101	2	
12	Hex. Nut M6 Nylon	610921	1	
13	Indicator Pin	401619	1	
14	Hex. Head Screw 6x16	610109	1	
15	Nordlock washer 10	611041	6	QTY: 2 for EC15B & EC20B
16	Socket Head Screw 10x30	610452	2	
17	Cover Plate S60 (EC219) Bent	1003109	1	For EC219, RF & TF
18	Cover Plate S60 (EC15B/EC20B)	301533	1	For EC15B & EC20B
19	Cover Plate S60 (EC15)	302224	1	For EC15 (Until 2009-02-04)
20	Flat Head Socket Screw 8x16	610607	4	For EC15B & EC20B
21	Socket Head Screw 10x40	610453	4	For EC219, RF & TF
22	Cage Nut M10 C	610957	4	For EC219, RF & TF