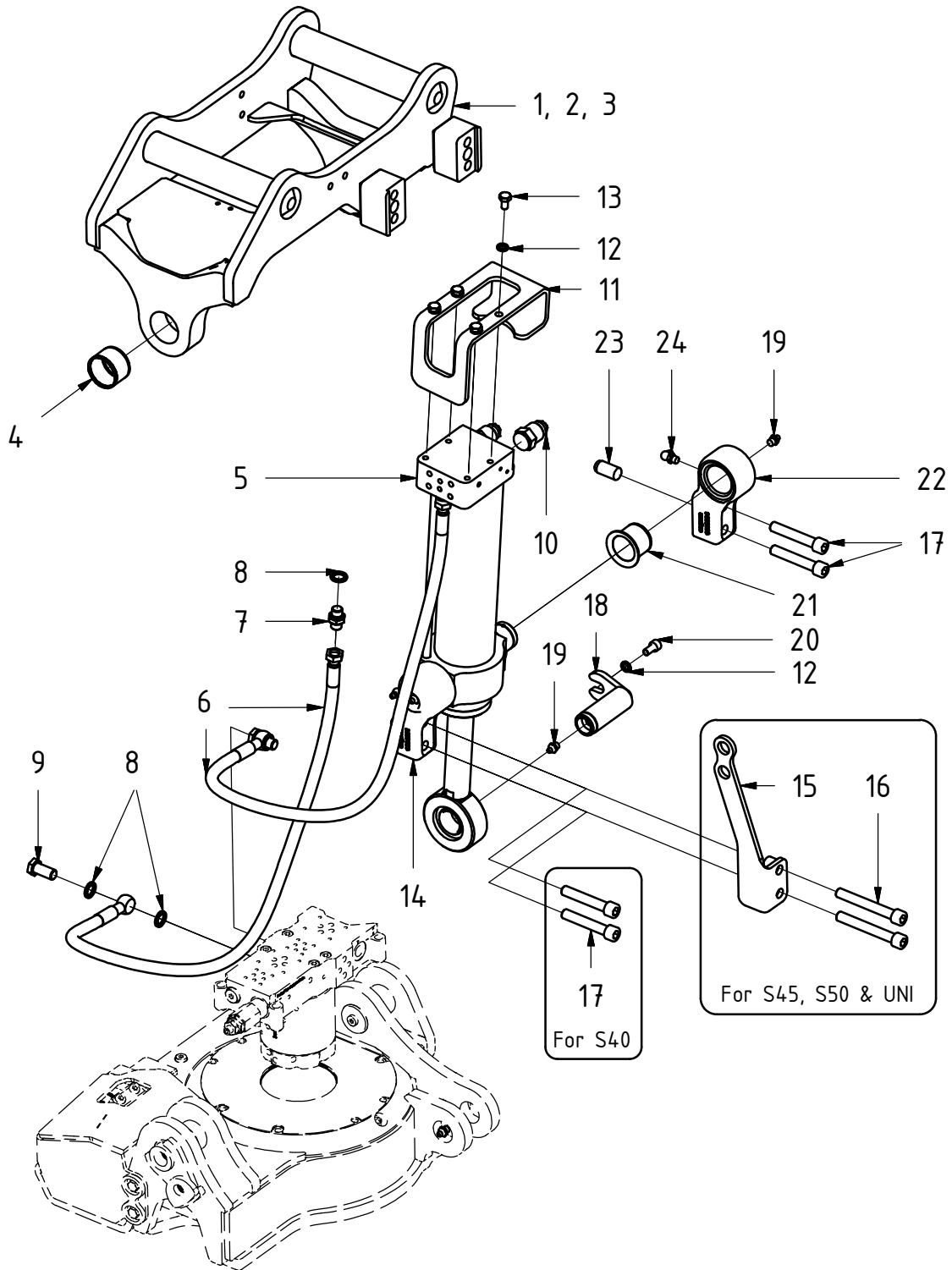


EC05B - Top Part base

Published:2015-02-11

Drawing No:1026272/A



EC05B - Top Part base

Published:2015-02-11				Drawing No:1026272/A	
POS	DESCRIPTION	PART	QTY	COMMENTS	
1	Top part S40 EC05B	1002844	1		
2	Top part S45 EC05B	1001860	1		
3	Top part S50 EC05B	1006938	1		
4	Bushing 40/44x30	630307	2		
5	Tilt cylinder EC05B 63/32	1001840	1	See subheading Tilt cylinders for exploded view	
6	Hose Tilt	740558	2		
7	Adapter 136-04-04	710135	2		
8	Seal washer 04 (1/4")	710702	6		
9	Banjo bolt	710271	2		
10	Overcentrevalve adjustable	730269	2		
11	Hose protection	1003774	1		
12	Washer NL M8	611040	5		
13	Flat head socket screw 8x14	610188	4		
14	Bracket Complete Left	1004131K	1		
15	Hose terminal bracket Left	1009681	1	For S45, S50 & UNI	
16	Socket Head Screw 12x90	610486	2	For S45, S50 & UNI	
17	Socket Head Screw 12x70	610482	2	For S40; QTY 2	
18	Cylinderaxle ø30	404276	1	(POS. 19 included)	
19	Grease Nipple	711403	3		
20	Socket Head Screw 8x16	610432	1		
21	Bushing WB802 35/39/50x35WF	630402	2		
22	Bracket Complete Right	1003904K	1		
23	CPK ø16x36 M6	650215	2		
24	Grease Nipple 90°	711402	2		