

## COVERSHEET

## Planned document changes:

**Briefly:**

No planned changes.

## Document changes:

Date:	Change:	Rev. after change:
2024-02-02	Cover plate updated.	G
2023-05-30	Gasket for cover plate added.	F
2022-02-02	Coversheet added.	E

*Readers note:*

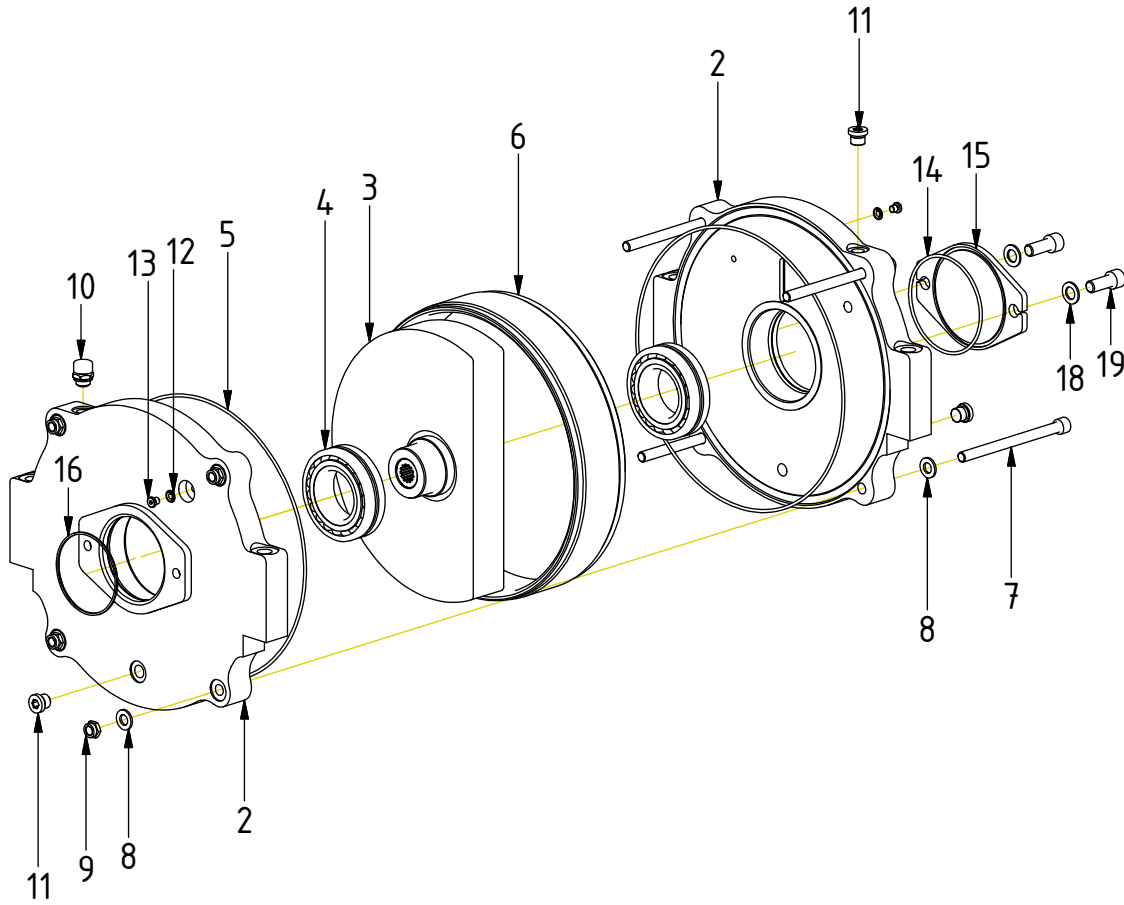
Indicates instruction.



Represents Hose.

Dashed lines for overview, mounts  
on other pages/assemblies.

POS in order of assembly



POS	DESCRIPTION	PART	QTY	COMMENTS
1	Generator PP3200	1011618	1	(POS.2-19 incl.)
2	End weld	1011612	2	
3	Weight PP3200	1011621	1	
4	Roller bearing	620203	2	
5	O-ring $\varnothing 331 \times 3$	710962	2	
6	Generator tube	1011613	1	
7	Screw MC6S 12x160 12.9 Geomet	610495	4	
8	Washer BRB 13x24x2,5 200 HV FZB	611007	8	
9	Lock Nut M6M M12x1,75 8,8 FZB	610924	4	
10	Breathing plug with filter	7000105	1	
11	Plug 70125-06 (3/8")	711504	3	
12	Seal washer M8	7001167	2	
13	Plug Din 908 M8x1-A	7001166	2	
14	O-ring 113x3,5	1074565	1	
15	Cover plate	1074564	1	
16	O-ring 94,5x3,0	710928	1	
18	Washer BRB 15x26x2	611008	2	
19	Screw MC6S M14x35 12.9	610502	2	