

COVERSHEET

Planned document changes:

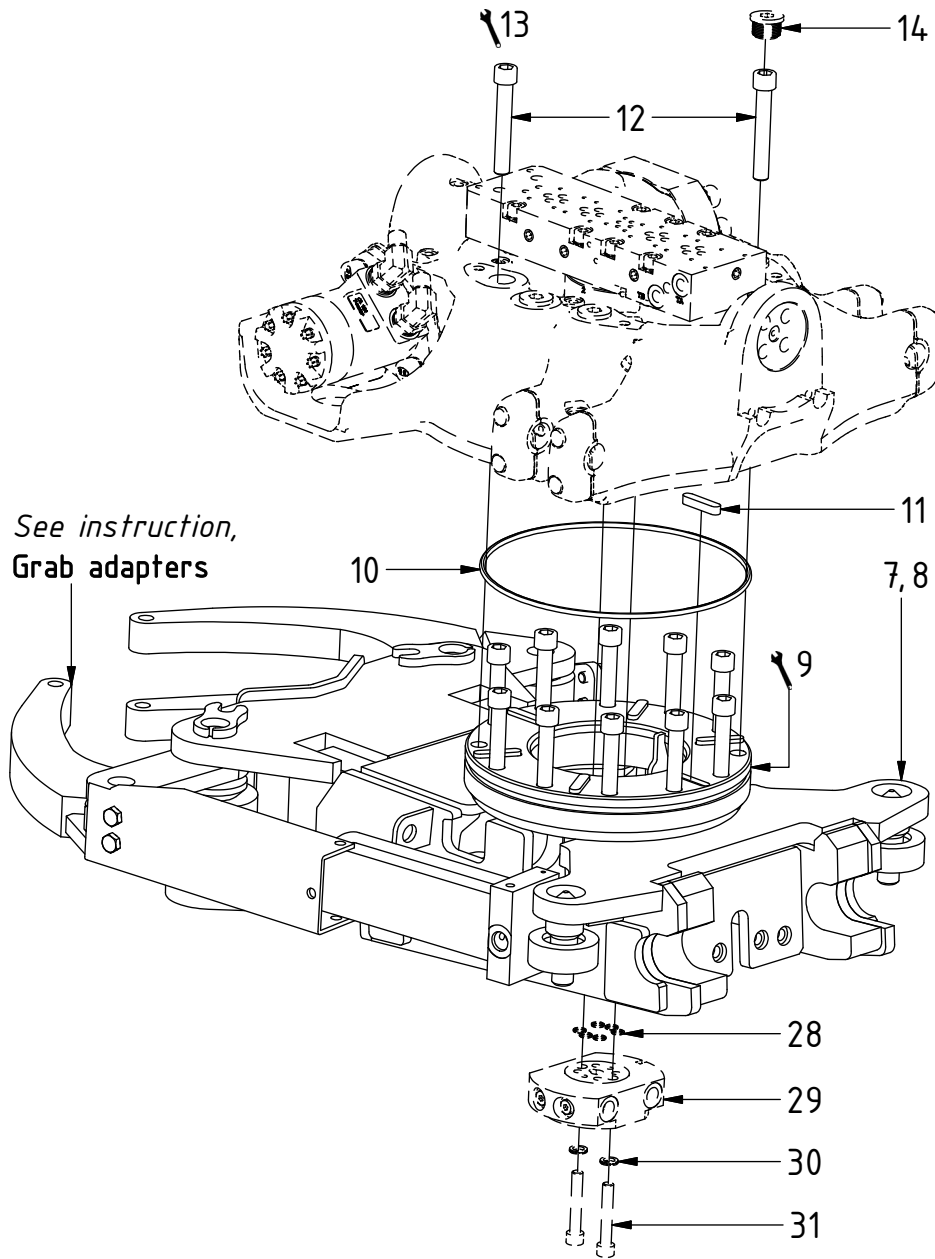
Briefly:

No planned changes.

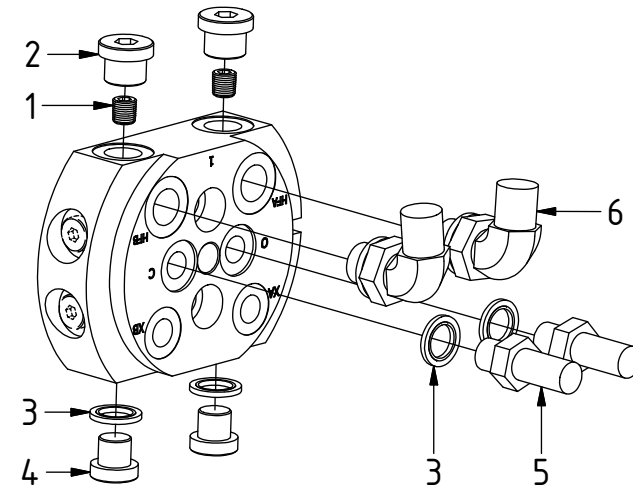
Document changes:

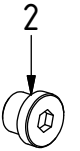
Date:	Change:	Rev. after change:
2023-11-27	O-ring for hitch updated.	G
2018-08-24	Coversheet added.	F

EC209 - S45/S50 GR10



POS	DESCRIPTION	PART	QTY	COMMENTS
1	Plug 1/8" BSPT	711523	2	Loctite
2	Plug 3/8"	711504	2	QTY: 4 for EC209 Without extra
3	Washer GBR04 1/4	710702	18	QTY: 4 part of Grab adapter
4	Plug 1/4"	711505	2	
5	Bulkhead adapter 1/4"	710240	2	
6	Adapter 90° 3/8"	710152	2	
7	Quick hitch S45 GR10 EC209 Complete	1022095	1	Grab adapter included
8	Quick hitch S50 GR10 EC209 Complete	1022140	1	Grab adapter included
9	Grease the ring			
10	O-ring 242x5	7001663	1	
11	Feather Key	650101	6	
12	Screw MC6S 14x90 12.9 ZFSLH	6000158	12	Torque: 217Nm
13	Torque tighten quick hitch to rotator frame, six holes. Rotate to access the remaining holes			
14	Pipe Plug M26x1,5	650409	6	Part of rotator frame assembly
28	O-ring 9,25x1,78	710901	6	Part of rotator frame assembly
29	Connection block EC209 (for slipping)	1025502	1	Part of rotator frame assembly
30	Washer NL10	611041	2	Part of rotator frame assembly
31	Socket Head Screw 10x60	610460	2	Part of rotator frame assembly

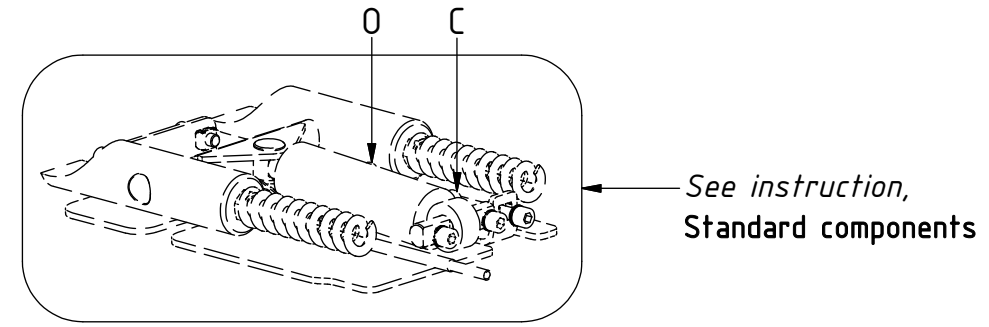
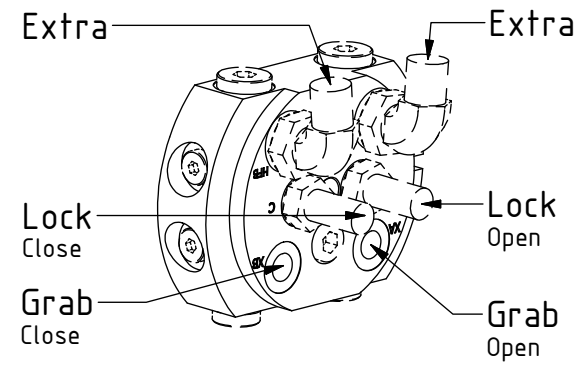
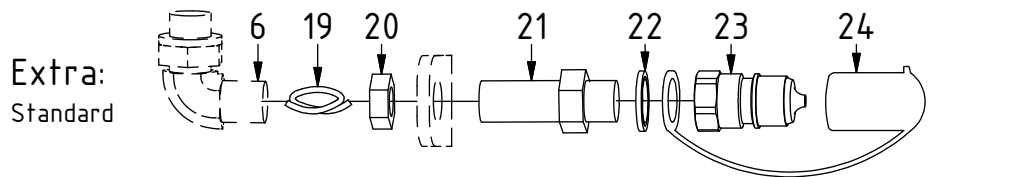
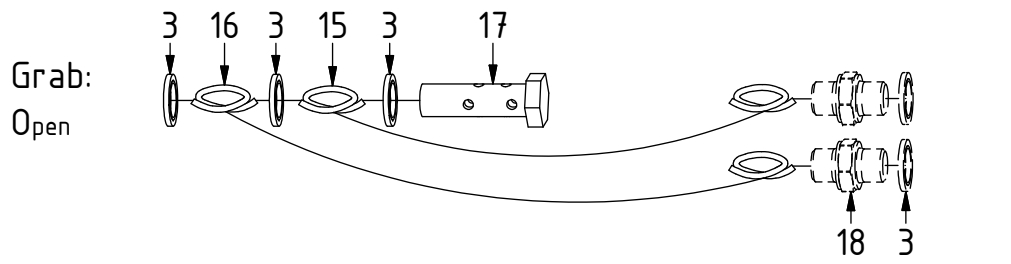
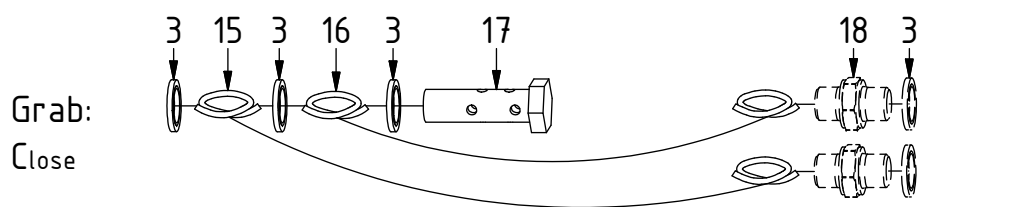
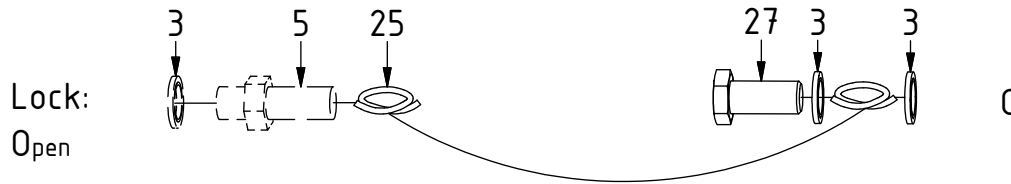
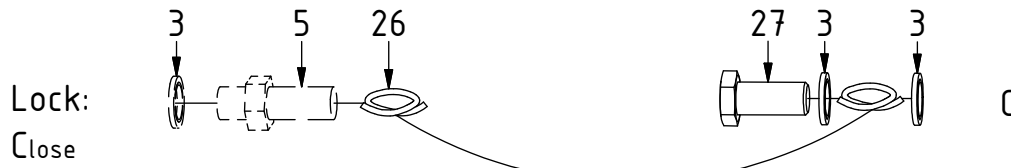


Without Extra:

 Replaces POS.6

EC209 - S45/S50 GR10

POS in order of assembly

POS	DESCRIPTION	PART	QTY	COMMENTS
3	Washer GBR04 1/4"	710702	18	QTY: 4 part of Grab adapter
5	Bulkhead adapter 1/4"	710240	2	
6	Adapter 90° 3/8"	710152	2	
15	Hose Grab Short	742809	2	
16	Hose Grab Long	742856	2	Replaces 742810 from 2015-04
17	Banjobolt 1/4" Extended	712214	2	
18	Adapter 1/4"	710135	4	Part of Grab adapter assembly
19	Hose Extra	742803	2	
20	Bulkhead Adapter Nut	710252	2	
21	Bulkhead adapter 3/8"	710242	2	
22	Washer GBR06 3/8"	710703	2	
23	Quick coupling 3/8"	790113	2	
24	Dust protection 3/8"	790120	2	
25	Hose Lock Short	7000304	1	
26	Hose Lock Long	7000305	1	
27	Banjobolt 1/4"	710271	2	



EC209 - S45/S50 GR10

POS	DESCRIPTION	PART	QTY	COMMENTS
15	Hose Grab Short	742809	2	
16	Hose Grab Long	742856	2	Replaces 742810 from 2015-04
19	Hose Extra	742803	2	
25	Hose Lock Short	7000304	1	
26	Hose Lock Long	7000305	1	

POS in order of assembly

