

## COVERSHEET

### Planned document changes:


**Briefly:**

No planned changes.

### Document changes:

Date:	Change:	Rev. after change:
2023-05-25	Coversheet added.	C

*Readers note:*

 Indicates instruction.

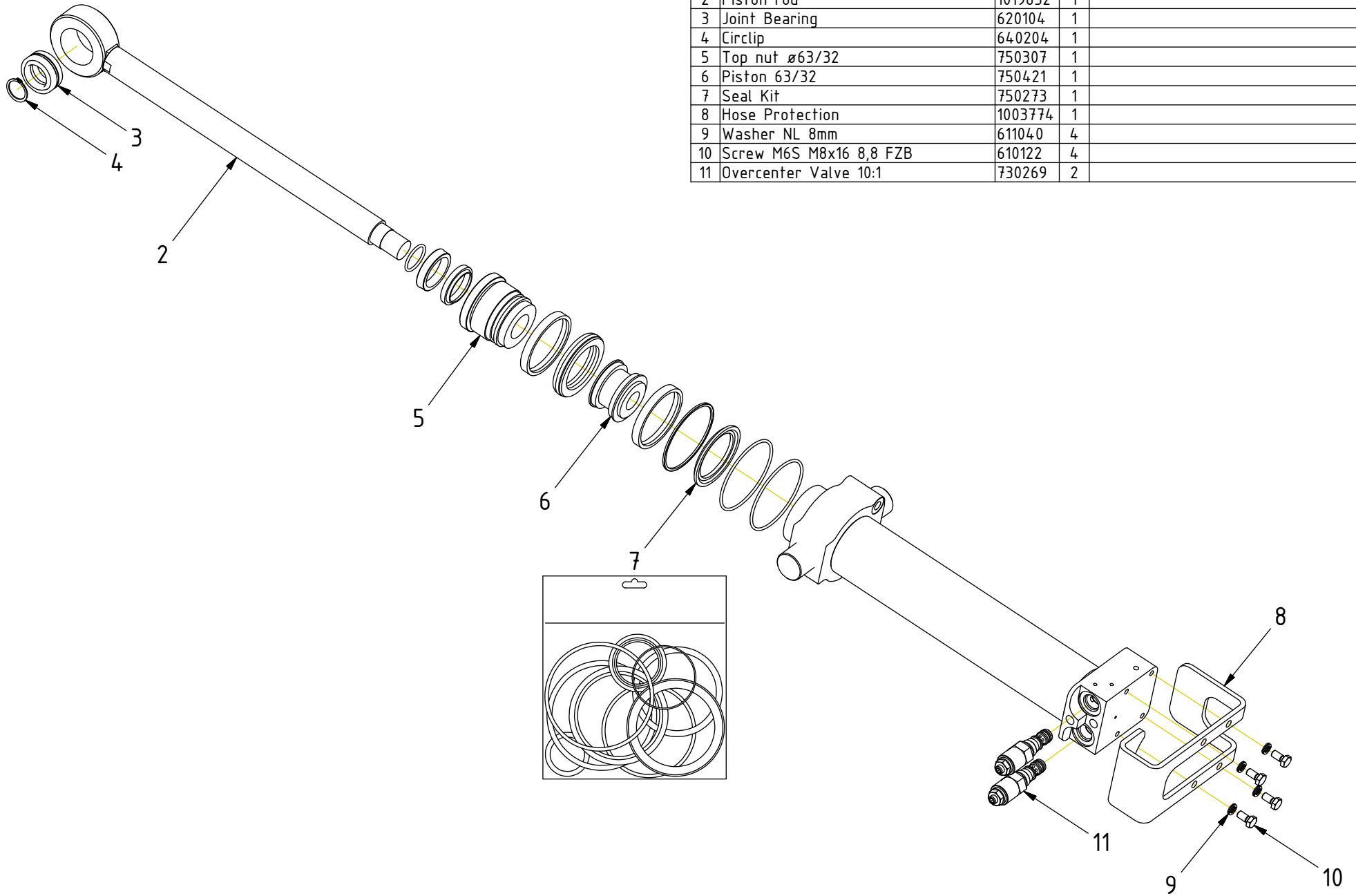
 Represents Hose.

Dashed lines for overview, mounts  
on other pages/assemblies.

# Tilt cylinder - EC209

POS in order of assembly

POS	DESCRIPTION	PART	QTY	COMMENTS
1	Tilt cylinder EC209	1019630	1	(POS.2-7 incl.)
2	Piston rod	1019652	1	
3	Joint Bearing	620104	1	
4	Circlip	640204	1	
5	Top nut $\varnothing 63/32$	750307	1	
6	Piston 63/32	750421	1	
7	Seal Kit	750273	1	
8	Hose Protection	1003774	1	
9	Washer NL 8mm	611040	4	
10	Screw M6S M8x16 8,8 FZB	610122	4	
11	Overcenter Valve 10:1	730269	2	

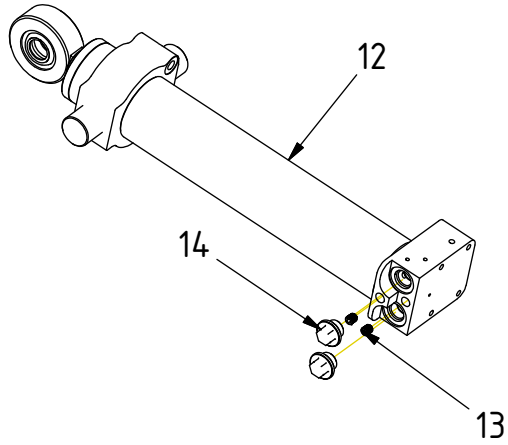


## SPARE PARTS

POS	DESCRIPTION	PART	QTY	COMMENTS
11	Overcenter Valve 10:1	730269	2	
12	Tilt cylinder EC209 incl. Plugs	1023761	1	Used until 2017-01 (POS.2-7, 13-14 incl.)
13	Plug 1/8 BSPT	711523	2	
14	Plug M20x1,5 w. o-ring	1022297	2	

POS in order of assembly

Tilt cylinder incl. Plugs



Tilt cylinder incl. Overcenter

