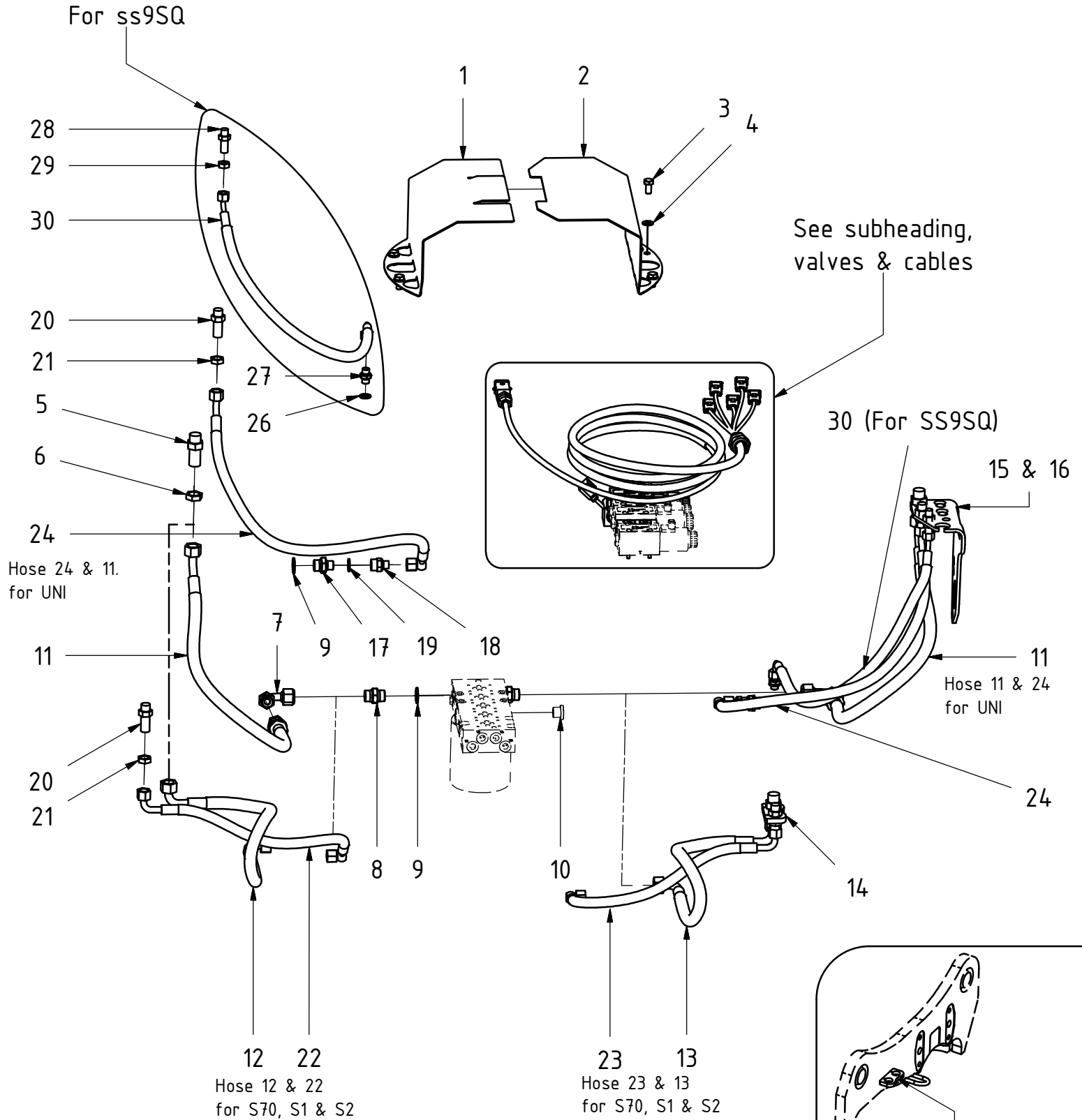


EC226 - Control system 9

Published:2014-08-04

Drawing No:1022228/B



EC226 - Control system 9

Published:2014-08-04				Drawing No:1022228/B	
POS	DESCRIPTION	PART	QTY	COMMENTS	
1	Coverplate half with lip EC226	1016410	1		
2	Coverplate half EC226	1016411	1		
3	Hex Head Screw 10 x 20	610141	4		
4	Flat Washer	611006	4		
5	Bulkhead connector (1/2")	710244	2		
6	Nut 1275-08 (1/2")	710254	2		
7	Adapter 90° 488-08-08	712209	2		
8	Adapter 136-08-08	710108	2		
9	Sealing washer 08 (1/2")	710704	2		
10	Plug-08	711500	4		
11	Hose T/P 1/2" UNI	742321	2	For separate terminal - UNI	
12	Hose T 1/2" S70, S1 & S2 V270°	742314	1	For welded terminal - S70, S1 & S2	
13	Hose P 1/2" S70, S1 & S2 V90°	742315	1	For welded terminal - S70, S1 & S2	
14	Terminal Welded S70, S1 & S2	1018867	2	For S70, S1 & S2	
15	Terminal Left UNI	1005725	1	For UNI	
16	Terminal Right UNI	1005726	1	For UNI	
17	Adapter 135-06-08	710122	2		
18	Adapter 236-06-06	710131	2		
19	Sealing washer 06 (3/8")	710703	2		
20	Bulkhead connector (3/8")	710242	4		
21	Nut 1270-06 (3/8")	710252	4		
22	Hose R 3/8" S70, S1 & S2 Right	742316	1	For welded terminal - S70, S1 & S2	
23	Hose R 3/8" S70, S1 & S2 Left	742317	1	For welded terminal - S70, S1 & S2	
24	Hose R 3/8" UNI	742320	2	For separate terminal - UNI	
26	Sealing washer 04 (1/4")	710702	2		
27	Adapter 136-04-04	100216	2		
28	Bulkhead connector (1/4")	710240	2		
29	Nut 1270-04 (1/4")	710250	2		
30	Hose Lock 1/4" UNI	742322	2	For SS9SQ	