

**EC219 - Control system 5**

Published:2014-08-01

Drawing No:1022202/A

## COVERSHEET

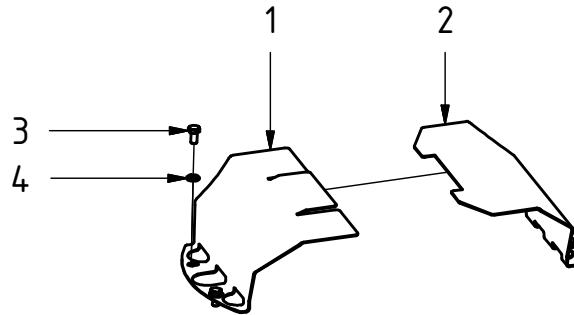
## Planned document changes:

Valve protection with lip: 1027796. It replaces 1025997 from 2015-02. 1025997 replaces POS.1 from 2014-07.  
Valve protection: 1027795. It replaces 1025998 from 2015-02. 1025998 replaces POS.2 from 2014-07.

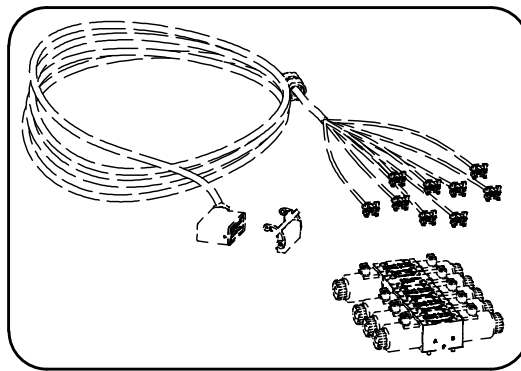
# EC219 - Control system 5

Published: 2014-08-01

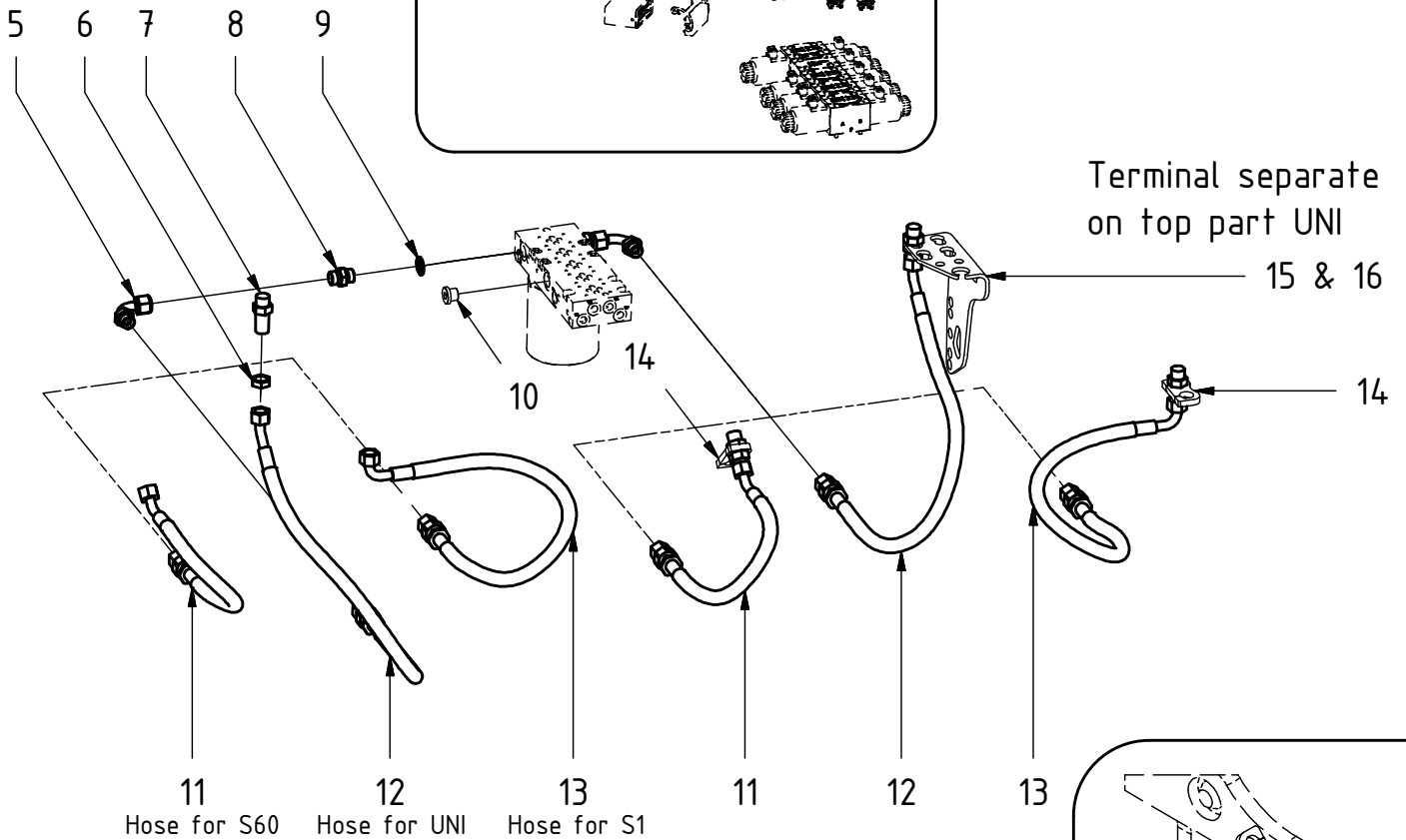
Drawing No: 1022202/A



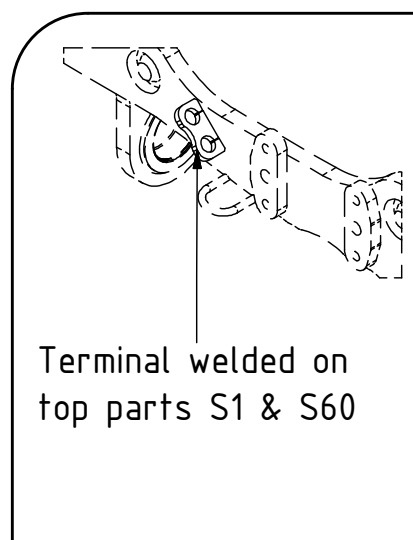
See subheading,  
valves & cables



Terminal separate  
on top part UNI



Terminal welded on  
top parts S1 & S60



**EC219 - Control system 5**

Published: 2014-08-01				Drawing No: 1022202/A	
POS	DESCRIPTION	PART	QTY	COMMENTS	
1	Coverplate half with lip EC219	1016424	1		
2	Coverplate half EC219	1016425	1		
3	Hex Head Screw 10 x 20	610141	4		
4	Flat Washer	611006	4		
5	Adapter 90° 488-08-08	712209	2		
6	Nut 1275-08 (1/2")	710254	2		
7	Bulkhead connector (1/2")	710244	2		
8	Adapter 136-08-08	710108	2		
9	Sealing washer 08 (1/2")	710704	2		
10	Plug-08	711500	4		
11	Hose T/P 1/2" S60	742607	2	For welded terminal - S60	
12	Hose T/P 1/2" UNI	742620	2	For separate terminal - UNI	
13	Hose T/P 1/2" S1	742621	2	For welded terminal - S1	
14	Terminal Welded S60, S1	1018867	2	For S60, S1	
15	Terminal Left UNI	1005725	1	For UNI	
16	Terminal Right UNI	1005726	1	For UNI	