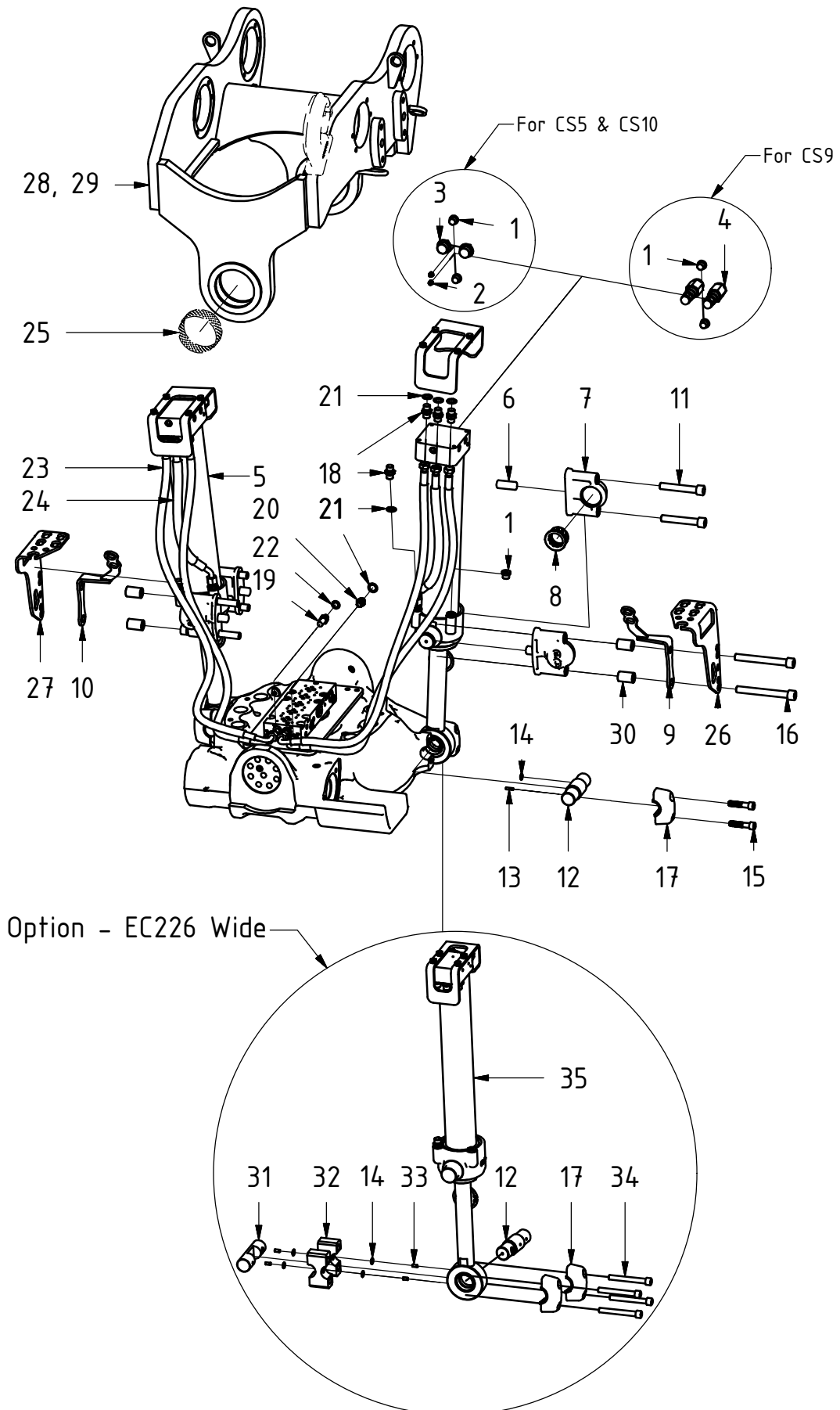


EC226 - Top part base

Published:2015-06-11

Drawing No:1019182/C



EC226 - Top part base

| Published:2015-06-11 | | | | Drawing No:1019182/C | |
|----------------------|---------------------------|---------|-----|---|--|
| POS | DESCRIPTION | PART | QTY | COMMENTS | |
| 1 | Plug-06 VSTIR38ED | 711504 | 10 | QTY: 2, +4 CS5 & CS10 or +4 CS9 | |
| 2 | Plug-BSPT-Colly | 711523 | 12 | CS5 & CS10 | |
| 3 | Plug M27x1,5 w. o-ring | 1015821 | 12 | CS5 & CS10 | |
| 4 | Overcentre valve 4:1 | 730277 | 8 | CS9 | |
| 5 | Tilt cylinder EC226 | 1017259 | 2 | See subheading Tilt cylinders for exploded view | |
| 6 | CPK ø20x50 | 650211 | 4 | | |
| 7 | Cast yoke | 1017151 | 4 | | |
| 8 | BWG-F 40/50/55/5-30 | 631001 | 4 | | |
| 9 | Terminal left | 1017931 | 1 | 2x 1/2" | |
| 10 | Terminal right | 1017932 | 1 | 2x 1/2" | |
| 11 | Socket Head Screw 16x100 | 610532 | 4 | | |
| 12 | Cylinderaxle ø40 | 1016398 | 2 | | |
| 13 | Slotted pin ISO8741 5x20 | 640413 | 2 | | |
| 14 | O-ring 9,92x2,62 | 710968 | 11 | | |
| 15 | Socket Head Screw 12x55 | 610587 | 8 | | |
| 16 | Socket Head Screw 16x140 | 610576 | 4 | | |
| 17 | Clamping half | 1016393 | 4 | | |
| 18 | Adapter 136-06-06 | 710106 | 22 | | |
| 19 | Adapter Straight | 710240 | 2 | | |
| 20 | Adapter 136-04-04 | 710104 | 2 | | |
| 21 | Seal washer 06 (3/8") | 710703 | 24 | | |
| 22 | Seal washer 04 (1/4") | 710702 | 2 | | |
| 23 | Hose Tilt | 740276 | 4 | CC1095 | |
| 24 | Hose Tiltcyl | 742308 | 2 | CC425 | |
| 25 | Bushing WB802 100/105 L40 | 630320 | 4 | | |
| 26 | Terminal UNI left | 1005725 | 1 | | |
| 27 | Terminal UNI right | 1005726 | 1 | | |
| 28 | Top part S60 EC226 | 1015989 | 1 | (POS.25 included) | |
| 29 | Top part QS70 EC226 | 1024776 | 1 | (POS.25 included) | |
| 30 | Spacer terminal | 1005911 | 4 | | |
| 31 | Axle, EC226W | 1016534 | 2 | | |
| 32 | Spacer, EC226W | 1016533 | 4 | | |
| 33 | Spring rod | 640410 | 9 | | |
| 34 | Socket Head Screw 12x100 | 611514 | 8 | | |
| 35 | Tilt cylinder EC226W | 1023811 | 2 | See subheading Tilt cylinders for exploded view | |
| 36 | Bracket 3/4" | 1029301 | 2 | | |
| 37 | Bracket | 1029642 | 2 | | |