

COVERSHEET

Planned document changes:


Briefly:

No planned changes.

Document changes:

Date:	Change:	Rev. after change:
2023-06-12.	Coversheet added.	F

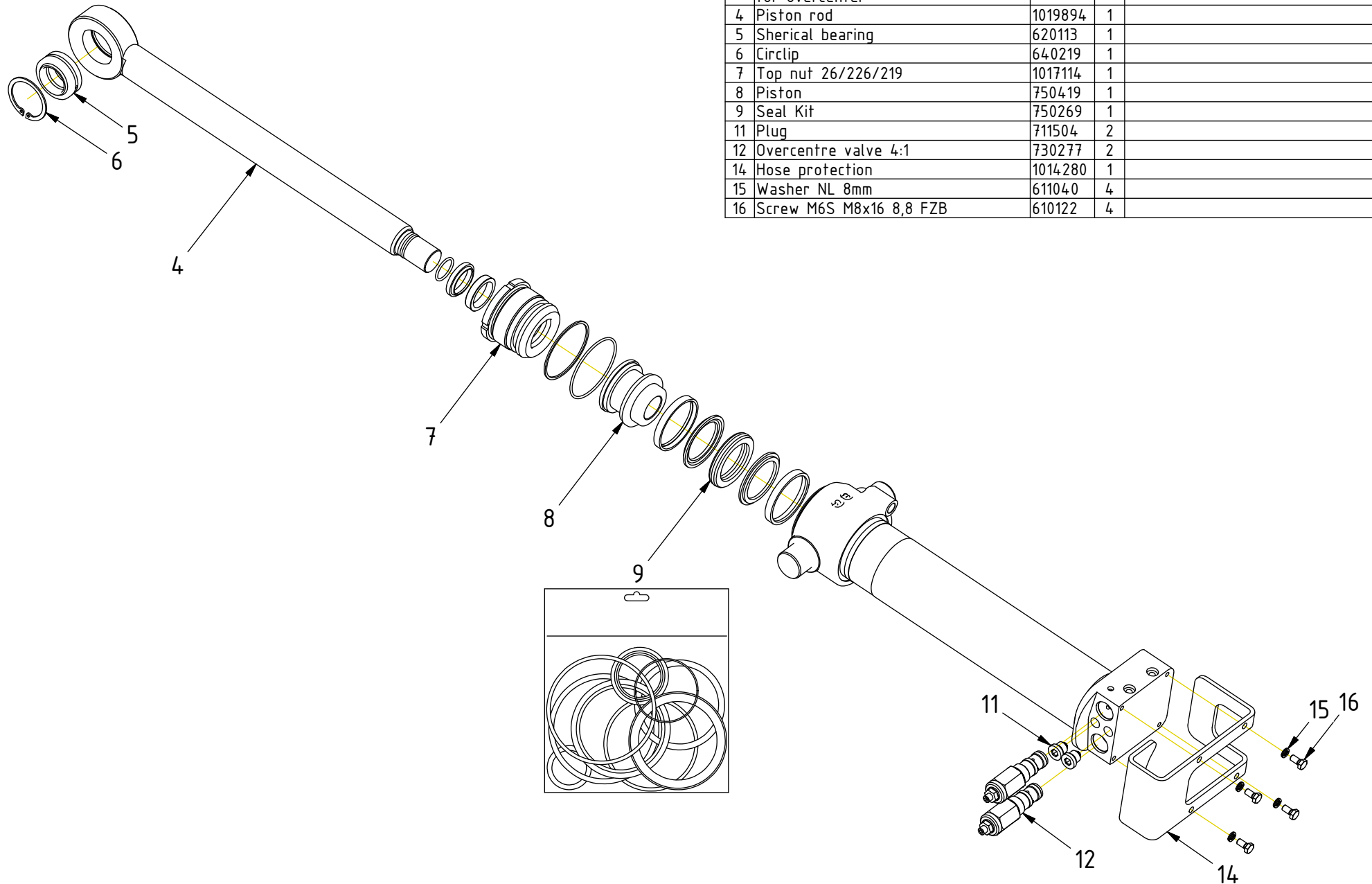
Readers note:

 Indicates instruction.

 Represents Hose.

Dashed lines for overview, mounts
on other pages/assemblies.

Tilt cylinder - EC219



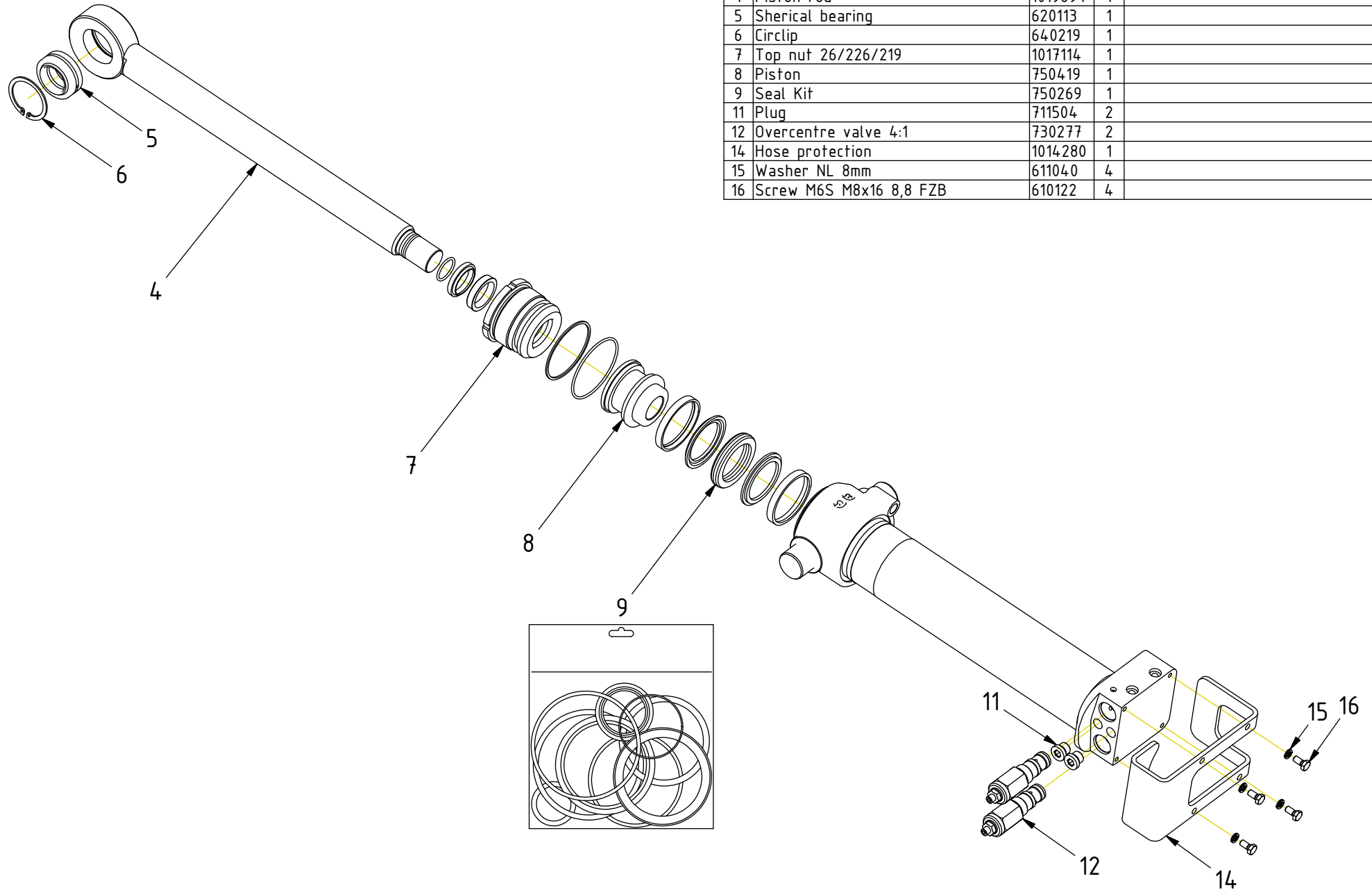
POS	DESCRIPTION	PART	QTY	COMMENTS
1	Tilt cylinder EC219 (cast waist) for overcenter	1019892	1	(POS.4-9, 11 incl.)
4	Piston rod	1019894	1	
5	Spherical bearing	620113	1	
6	Circlip	640219	1	
7	Top nut 26/226/219	1017114	1	
8	Piston	750419	1	
9	Seal Kit	750269	1	
11	Plug	711504	2	
12	Overcentre valve 4:1	730277	2	
14	Hose protection	1014280	1	
15	Washer NL 8mm	611040	4	
16	Screw M6S M8x16 8,8 FZB	610122	4	

POS in order of assembly

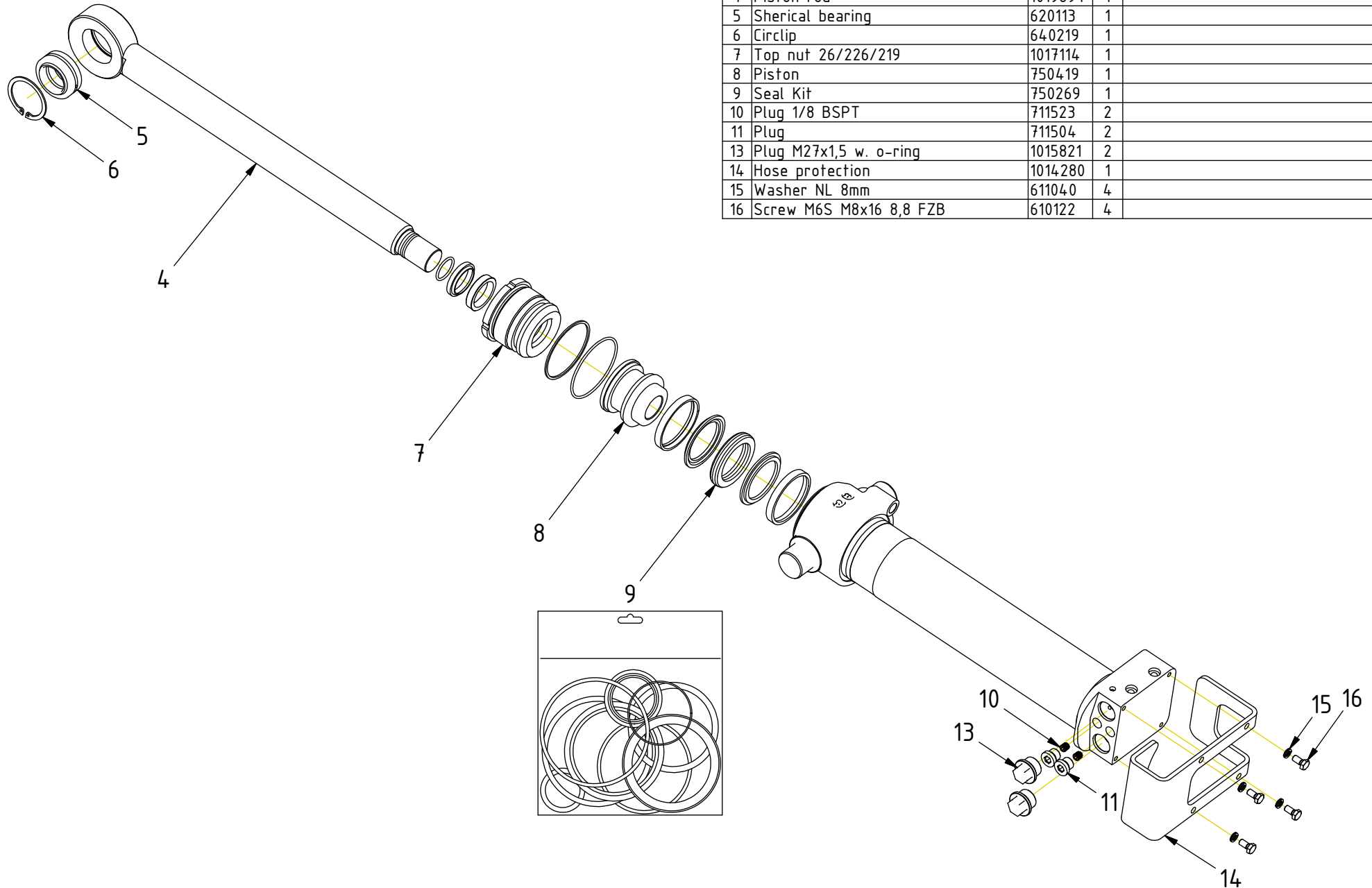
Tilt cylinder - EC219

POS in order of assembly

POS	DESCRIPTION	PART	QTY	COMMENTS
2	Tilt cylindr EC219 incl. overcenter	1023713	1	(POS.4-9, 11-12 incl.)
4	Piston rod	1019894	1	
5	Sherical bearing	620113	1	
6	Circlip	640219	1	
7	Top nut 26/226/219	1017114	1	
8	Piston	750419	1	
9	Seal Kit	750269	1	
11	Plug	711504	2	
12	Overcentre valve 4:1	730277	2	
14	Hose protection	1014280	1	
15	Washer NL 8mm	611040	4	
16	Screw M6S M8x16 8,8 FZB	610122	4	



Tilt cylinder - EC219



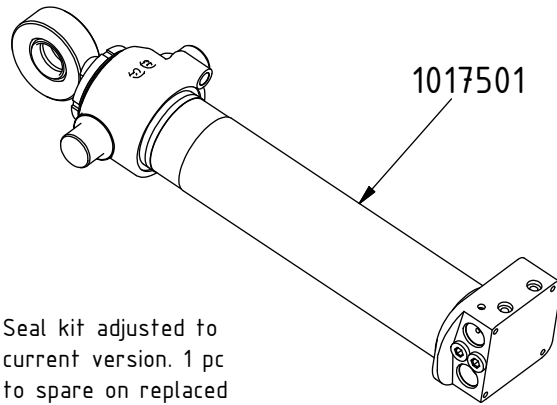
POS	DESCRIPTION	PART	QTY	COMMENTS
3	Tilt cylinder EC219 incl. Plugs	1023714	1	(POS.4-9, 10-11, 13 incl.)
4	Piston rod	1019894	1	
5	Spherical bearing	620113	1	
6	Circlip	640219	1	
7	Top nut 26/226/219	1017114	1	
8	Piston	750419	1	
9	Seal Kit	750269	1	
10	Plug 1/8 BSPT	711523	2	
11	Plug	711504	2	
13	Plug M27x1,5 w. o-ring	1015821	2	
14	Hose protection	1014280	1	
15	Washer NL 8mm	611040	4	
16	Screw M6S M8x16 8,8 FZB	610122	4	

SPARE PARTS

POS	DESCRIPTION	PART	QTY	COMMENTS
-----	-------------	------	-----	----------

POS in order of assembly

Tilt cylinder EC219



Seal kit adjusted to current version. 1 pc to spare on replaced version 1.