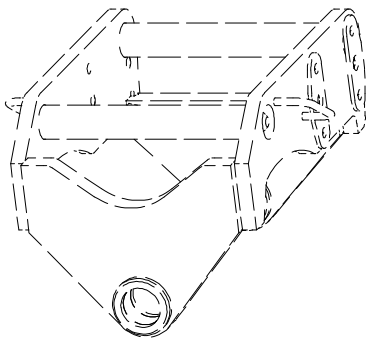


Upperpart EC10B

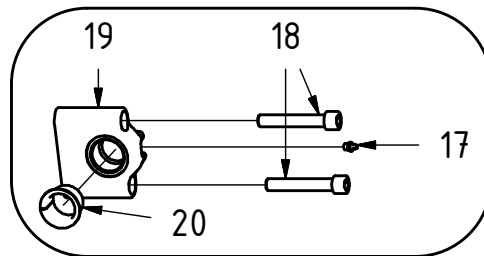
Published: 2014-06-25

Drawing No: 1017521/A

POS	DESCRIPTION	PART	QTY	COMMENTS
1	CPK $\varnothing 20 \times 50$	650211	8	
2	Tiltcylinder EC10B	1011835	2	Exploded view of tilt cylinder 1011835
3	Bracket Complete	1017151	4	Lubrication free
4	Axle tilt cylinder	1008258	2	
5	Countersink spacer	400659	2	
6	Flat head socket screw 8x20	610634	2	
7	Bushing BWG-F 40/50/55/5x30	631001	4	Lubrication free
8	Banjobult	710271	4	
9	Sealing washer 04 (1/4")	710702	12	
10	Adapter	710106	2	
11	Sealing washer 06 (3/8")	710703	8	
12	Adapter BSP 1/4"x3/8"	710118	6	
13	Hose tiltcyl	74.0197	2	3/8"- KL210 4511-06-06/4511-06-06
14	Hose tilt	74.0196	4	3/8"- KL730 4550-04-06/4511-06-06
15	Plug	711504	2	
16	Socket Head Screw 16 x 100	610532	8	
17	Grease Nipple	711403	6	
18	Socket Head Screw 16 x 95	610577	8	12.9 Untreated ISO 4762
19	Bracket Complete	1001146K	4	
20	Bushing WB802 40/44/55x30WF	630408	4	



Delivered until 2012-11



For tilt cylinder parts see separate drawing, 1011835.

