

COVERSHEET

Planned document changes:


Briefly:

No planned changes.

Document changes:

Date:	Change:	Rev. after change:
2024-04-25	Part no for hose protection corrected.	G
2023-05-29	Coversheet added.	F

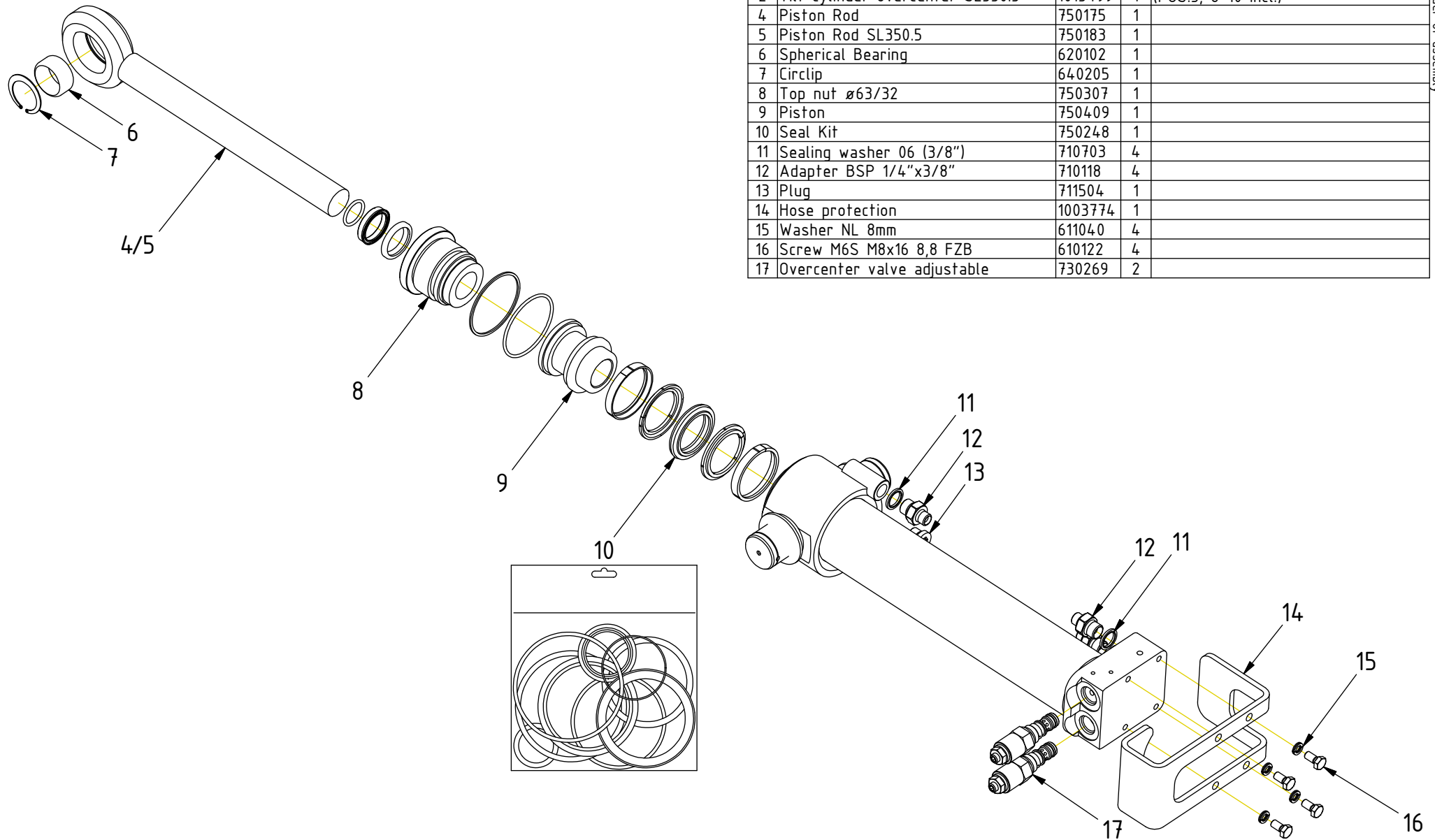
Readers note:

 Indicates instruction.

 Represents Hose.

Dashed lines for overview, mounts
on other pages/assemblies.

Tilt cylinder - EC15B



POS	DESCRIPTION	PART	QTY	COMMENTS
1	Tilt cylinder overcenter	1011838	1	(POS.4, 6-10 incl.)
2	Tilt cylinder overcenter SL350.5	1013499	1	(POS.5, 6-10 incl.)
4	Piston Rod	750175	1	
5	Piston Rod SL350.5	750183	1	
6	Spherical Bearing	620102	1	
7	Circlip	640205	1	
8	Top nut $\varnothing 63/32$	750307	1	
9	Piston	750409	1	
10	Seal Kit	750248	1	
11	Sealing washer 06 (3/8")	710703	4	
12	Adapter BSP 1/4"x3/8"	710118	4	
13	Plug	711504	1	
14	Hose protection	1003774	1	
15	Washer NL 8mm	611040	4	
16	Screw M6S M8x16 8,8 FZB	610122	4	
17	Overcenter valve adjustable	730269	2	

POS in order of assembly

Tilt cylinder - EC15B

POS in order of assembly

POS	DESCRIPTION	PART	QTY	COMMENTS
3	Tilt cylinder	1011836	1	(POS.4, 6-10. 15, 18-19 incl.)
4	Piston Rod	750175	1	
6	Spherical Bearing	620102	1	
7	Circlip	640205	1	
8	Top nut $\varnothing 63/32$	750307	1	
9	Piston	750409	1	
10	Seal Kit	750248	1	
11	Sealing washer 06 (3/8")	710703	4	
12	Adapter BSP 1/4"x3/8"	710118	4	
13	Plug	711504	1	
15	Washer NL 8mm	611040	4	
18	Hose protection	1000371	1	
19	Screw M6S M8x25 8,8 FZB	610124	4	

