

COVERSHEET

Planned document changes:


Briefly:

No planned changes.

Document changes:

Date:	Change:	Rev. after change:
2023-05-31	Coversheet added.	I

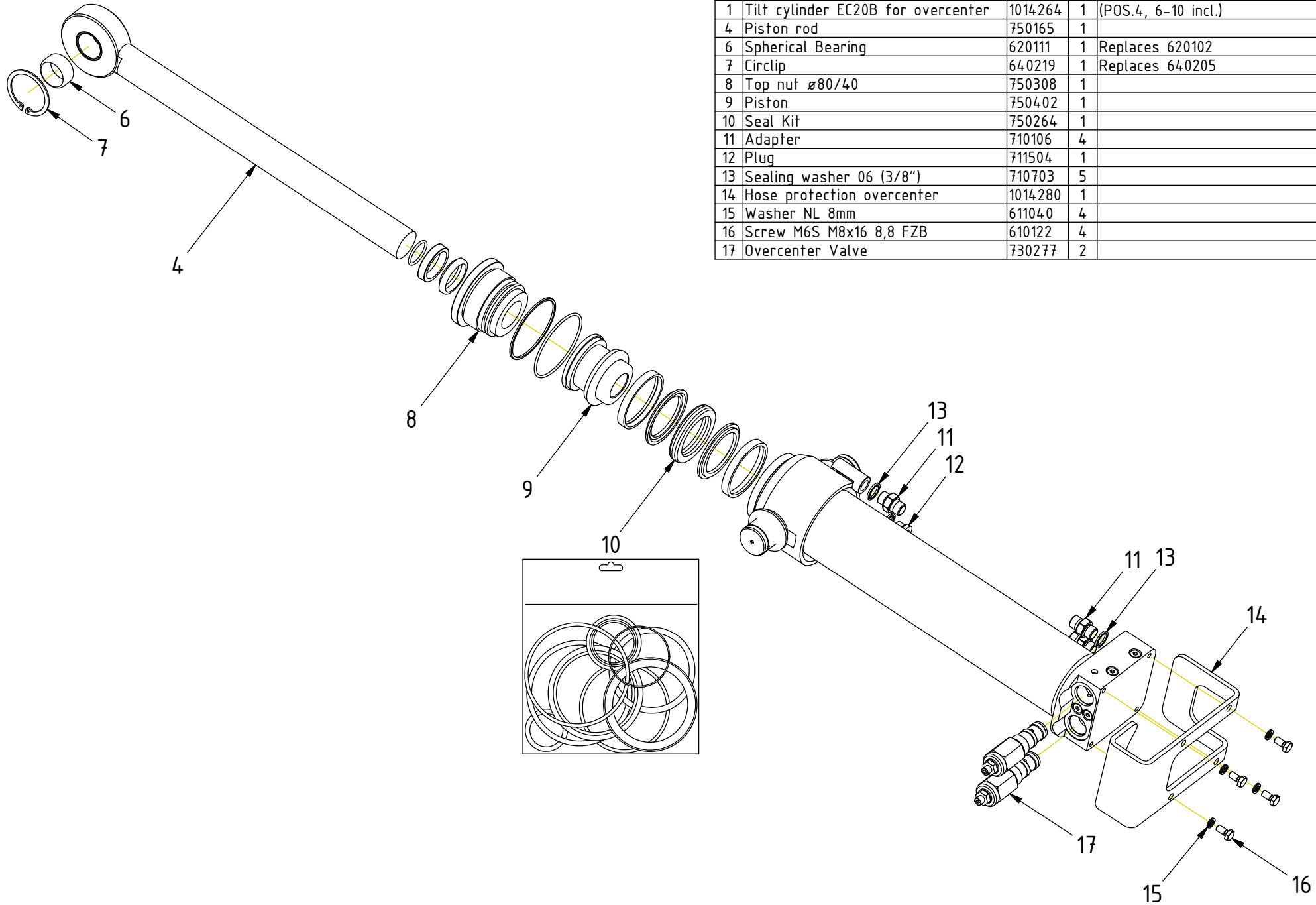
Readers note:

 Indicates instruction.

 Represents Hose.

Dashed lines for overview, mounts
on other pages/assemblies.

Tilt cylinder EC20/EC20B

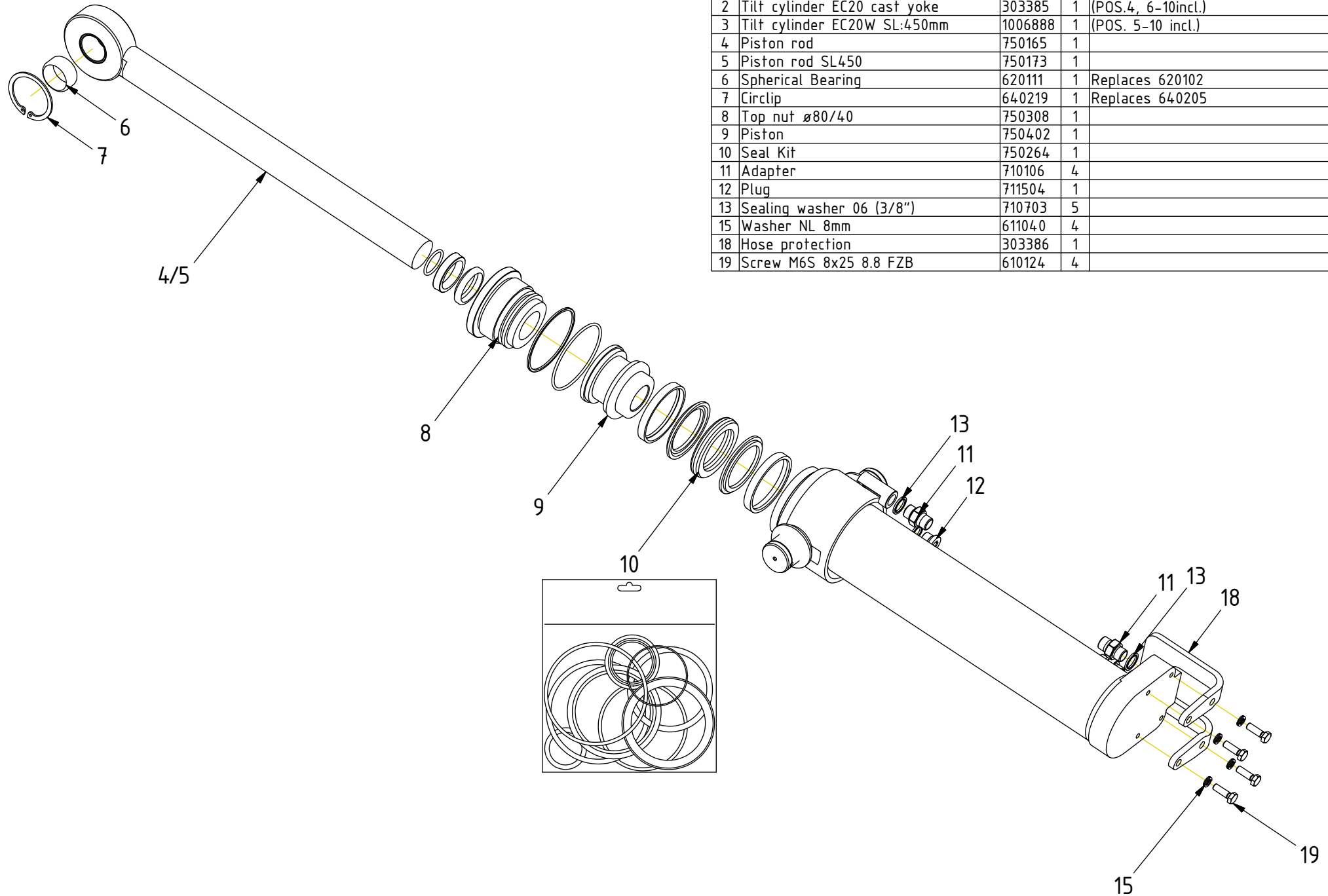


POS	DESCRIPTION	PART	QTY	COMMENTS
1	Tilt cylinder EC20B for overcenter	1014264	1	(POS.4, 6-10 incl.)
4	Piston rod	750165	1	
6	Spherical Bearing	620111	1	Replaces 620102
7	Circlip	640219	1	Replaces 640205
8	Top nut $\varnothing 80/40$	750308	1	
9	Piston	750402	1	
10	Seal Kit	750264	1	
11	Adapter	710106	4	
12	Plug	711504	1	
13	Sealing washer 06 (3/8")	710703	5	
14	Hose protection overcenter	1014280	1	
15	Washer NL 8mm	611040	4	
16	Screw M6S M8x16 8,8 FZB	610122	4	
17	Overcenter Valve	730277	2	

POS in order of assembly

Tilt cylinder EC20/EC20B

POS	DESCRIPTION	PART	QTY	COMMENTS
2	Tilt cylinder EC20 cast yoke	303385	1	(POS.4, 6-10incl.)
3	Tilt cylinder EC20W SL:450mm	1006888	1	(POS. 5-10 incl.)
4	Piston rod	750165	1	
5	Piston rod SL450	750173	1	
6	Spherical Bearing	620111	1	Replaces 620102
7	Circlip	640219	1	Replaces 640205
8	Top nut ø80/40	750308	1	
9	Piston	750402	1	
10	Seal Kit	750264	1	
11	Adapter	710106	4	
12	Plug	711504	1	
13	Sealing washer 06 (3/8")	710703	5	
15	Washer NL 8mm	611040	4	
18	Hose protection	303386	1	
19	Screw M6S 8x25 8.8 FZB	610124	4	



POS in order of assembly

SPARE PARTS

POS	DESCRIPTION	PART	QTY	COMMENTS
-----	-------------	------	-----	----------

POS in order of assembly

Tilt cylinder EC20 SL:350,5

