

## COVERSHEET

### Planned document changes:

**Briefly:**

No planned changes.

### Document changes:

Date:	Change:	Rev. after change:
2023-05-29	Coversheet added.	G

*Readers note:*



Indicates instruction.



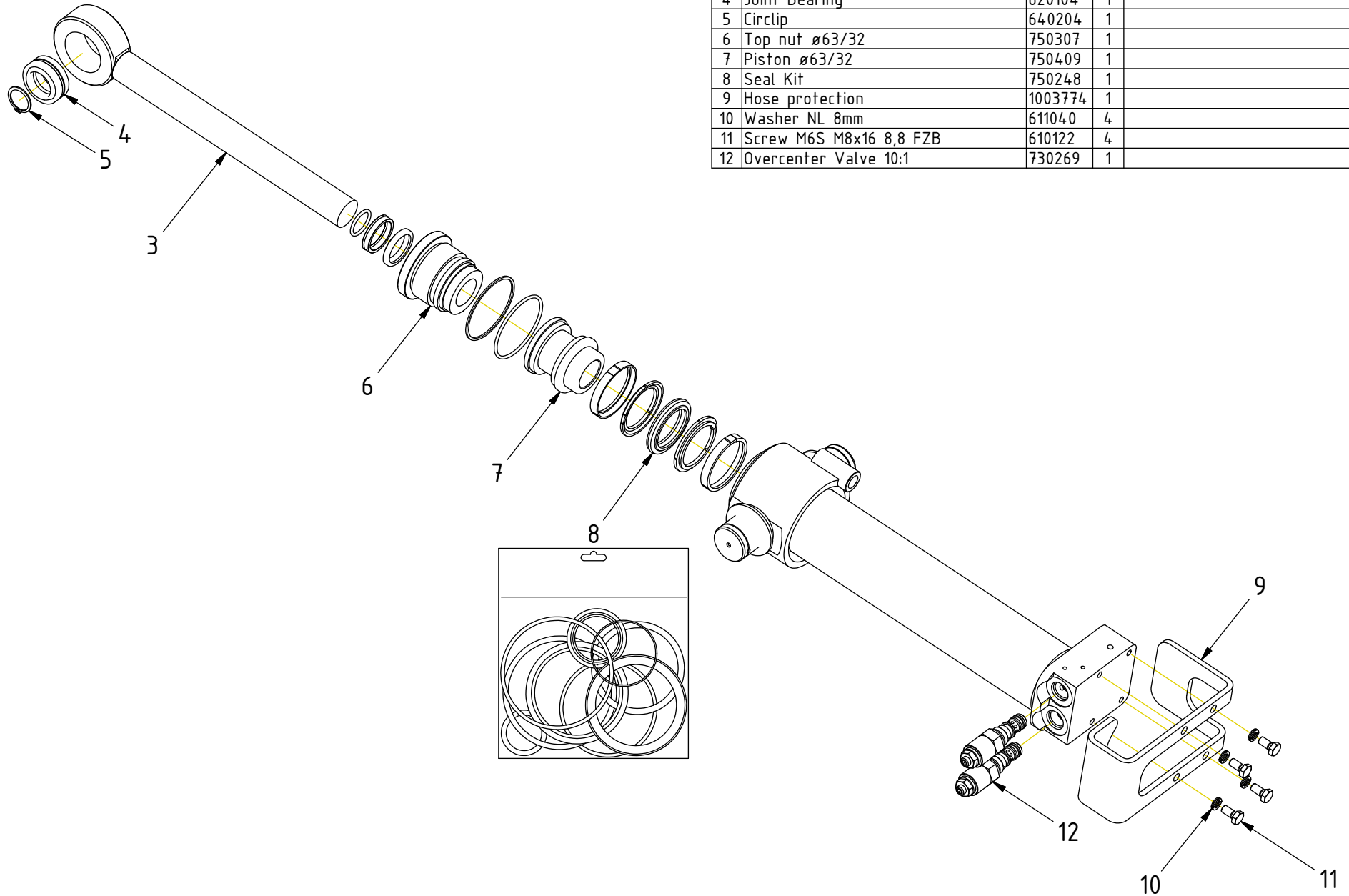
Represents Hose.

Dashed lines for overview, mounts  
on other pages/assemblies.

# Tilt cylinder - EC15

POS in order of assembly

POS	DESCRIPTION	PART	QTY	COMMENTS
1	Tilt cylinder EC15 for overcenter	1008114	1	(POS.3-8 incl.)
3	Cylinder Rod	750161	1	
4	Joint Bearing	620104	1	
5	Circlip	640204	1	
6	Top nut $\varnothing 63/32$	750307	1	
7	Piston $\varnothing 63/32$	750409	1	
8	Seal Kit	750248	1	
9	Hose protection	1003774	1	
10	Washer NL 8mm	611040	4	
11	Screw M6S M8x16 8,8 FZB	610122	4	
12	Overcenter Valve 10:1	730269	1	



# Tilt cylinder - EC15

POS in order of assembly

POS	DESCRIPTION	PART	QTY	COMMENTS
2	Tilt cylinder EC15 (cast yoke)	1000312	1	(POS.3-8, 10, 13-14 incl.)
3	Cylinder Rod	750161	1	
4	Joint Bearing	620104	1	
5	Circlip	640204	1	
6	Top nut $\varnothing 63/32$	750307	1	
7	Piston $\varnothing 63/32$	750409	1	
8	Seal Kit	750248	1	
10	Washer NL 8mm	611040	4	
13	Hose protection	1000371	1	
14	Screw M6S M8x25 8,8 FZB	610124	4	

