

COVERSHEET

Planned document changes:

Briefly:

No planned changes.

Document changes:

Date:	Change:	Rev. after change:
2023-05-26	Coversheet added.	F

Readers note:



Indicates instruction.

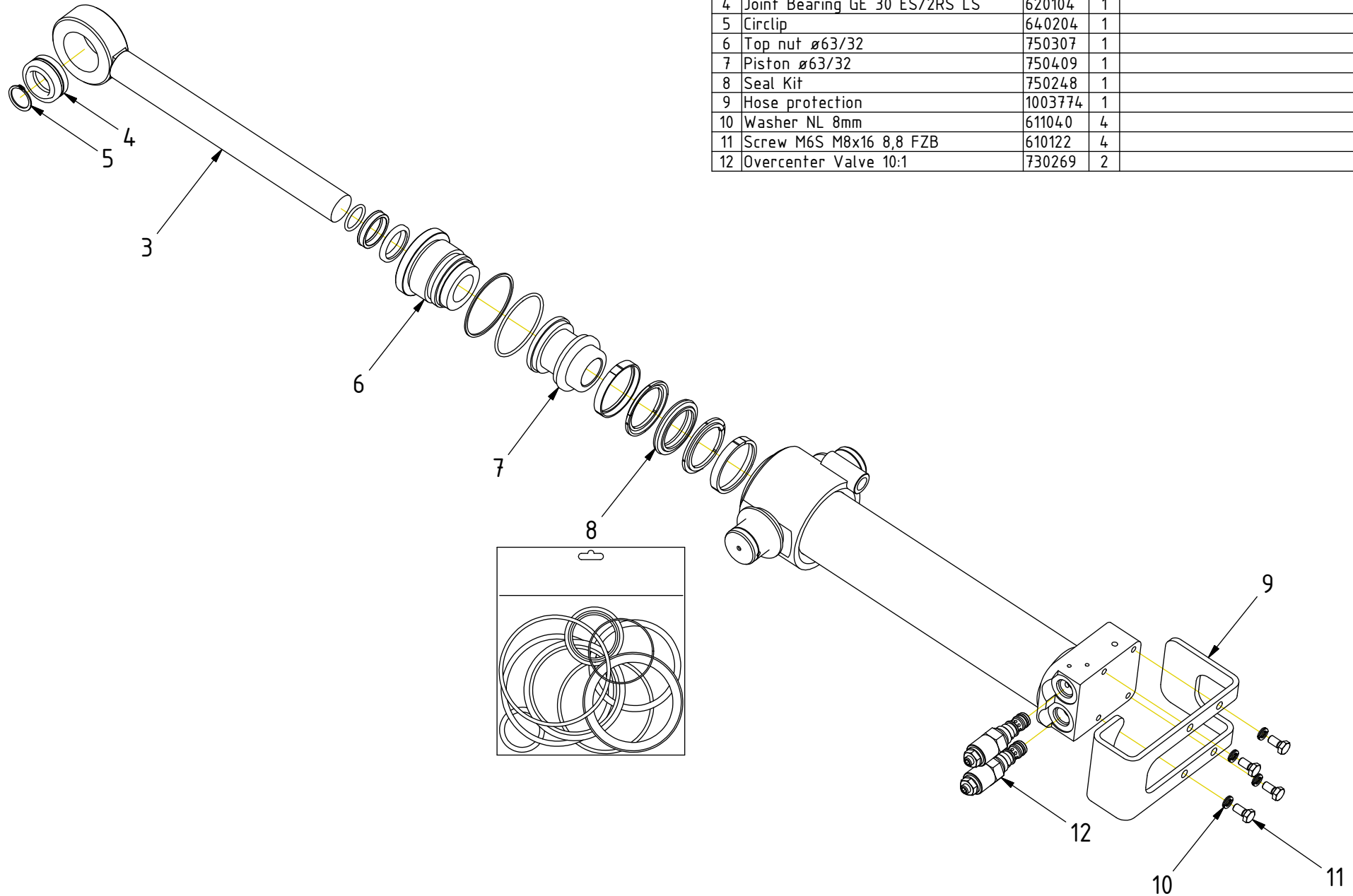


Represents Hose.

Dashed lines for overview, mounts
on other pages/assemblies.

Tilt cylinder - EC10

POS in order of assembly



POS	DESCRIPTION	PART	QTY	COMMENTS
1	Tilt cylinder EC10 for overcenter	1008113	1	(POS.3-8 incl.)
3	Cylinder Rod	750163	1	
4	Joint Bearing GE 30 ES/2RS LS	620104	1	
5	Circlip	640204	1	
6	Top nut $\varnothing 63/32$	750307	1	
7	Piston $\varnothing 63/32$	750409	1	
8	Seal Kit	750248	1	
9	Hose protection	1003774	1	
10	Washer NL 8mm	611040	4	
11	Screw M6S M8x16 8,8 FZB	610122	4	
12	Overcenter Valve 10:1	730269	2	

Tilt cylinder - EC10

POS in order of assembly

POS	DESCRIPTION	PART	QTY	COMMENTS
2	Tilt cylinder EC10 (cast yoke)	1000311	1	(POS.3-8, 10, 13-14 incl.)
3	Cylinder Rod	750163	1	
4	Joint Bearing GE 30 ES/2RS LS	620104	1	
5	Circlip	640204	1	
6	Top nut $\varnothing 63/32$	750307	1	
7	Piston $\varnothing 63/32$	750409	1	
8	Seal Kit	750248	1	
10	Washer NL 8mm	611040	4	
13	Hose protection	1000371	1	
14	Screw M6S M8x25 8,8 FZB	610124	4	

