

## COVERSHEET

### Planned document changes:

**Briefly:**

No planned changes.

### Document changes:

Date:	Change:	Rev. after change:
2023-05-24	Coversheet added.	1

*Readers note:*



Indicates instruction.

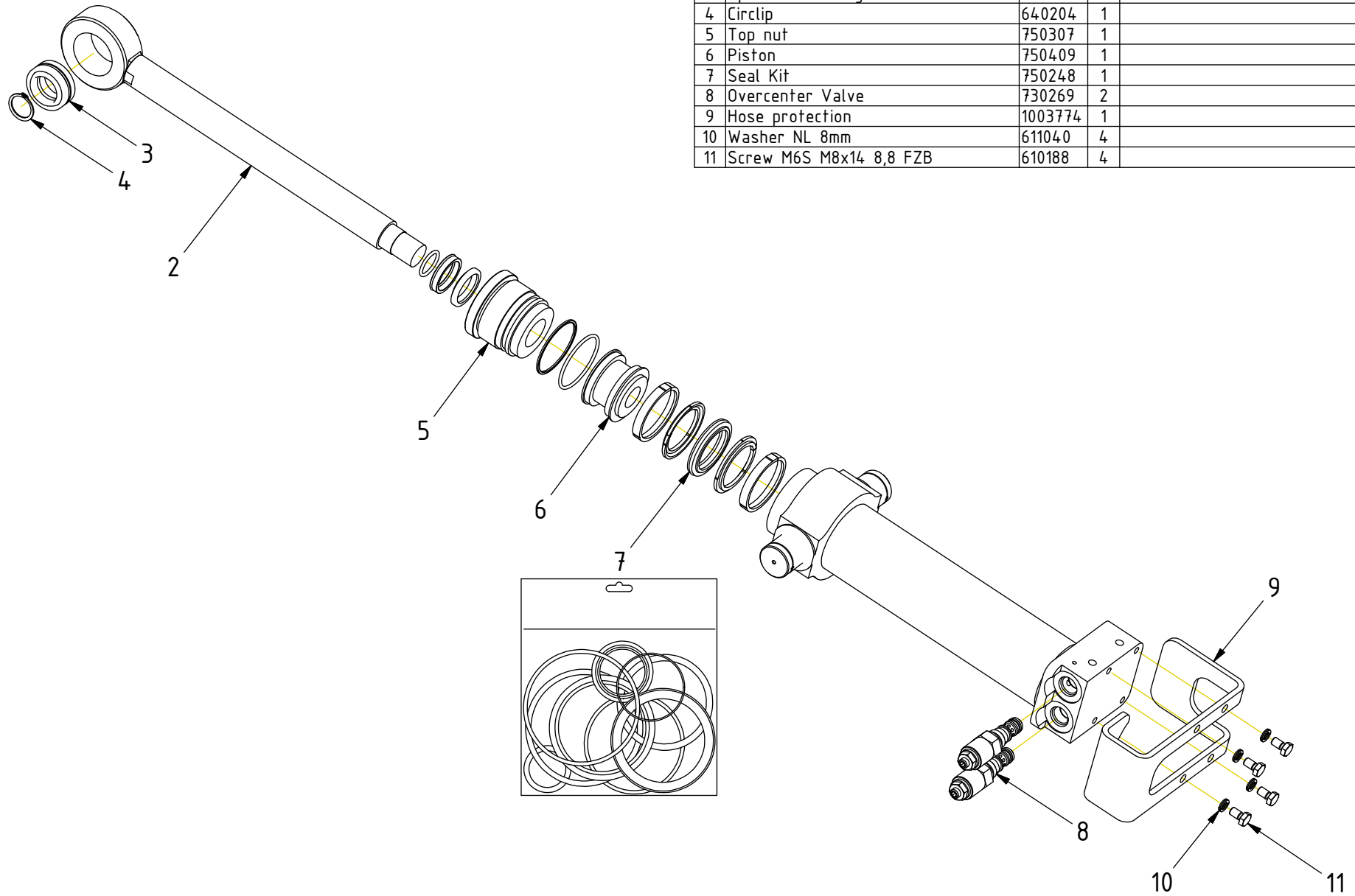


Represents Hose.

Dashed lines for overview, mounts  
on other pages/assemblies.

# Tilt cylinder - EC05B

POS	DESCRIPTION	PART	QTY	COMMENTS
1	Tilt cylindr EC05B for overcentre	1001840	1	(POS.2-7 incl.)
2	Piston rod	750171	1	
3	Spherical Bearing	620104	1	
4	Circlip	640204	1	
5	Top nut	750307	1	
6	Piston	750409	1	
7	Seal Kit	750248	1	
8	Overcenter Valve	730269	2	
9	Hose protection	1003774	1	
10	Washer NL 8mm	611040	4	
11	Screw M6S M8x14 8,8 FZB	610188	4	



POS in order of assembly

SPARE PARTS

POS	DESCRIPTION	PART	QTY	COMMENTS
-----	-------------	------	-----	----------

POS in order of assembly

Tilt cylinder EC05B Bobcat Black

