

COVERSHEET

Planned document changes:


Briefly:

No planned changes.

Document changes:

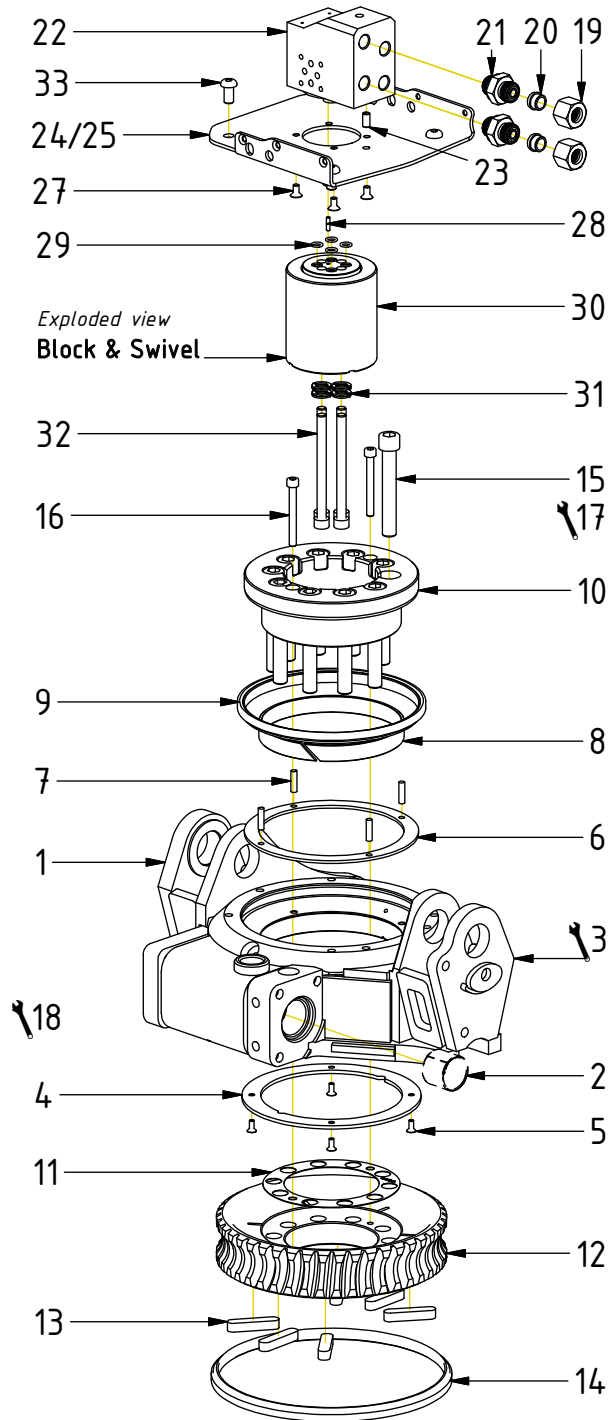
Date:	Change:	Rev. after change:
2023-11-21	Coversheet added.	G

Readers note:

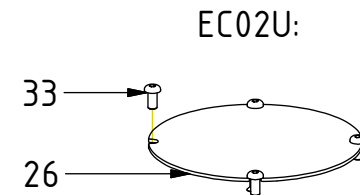
 Indicates instruction.

 Represents Hose.

Dashed lines for overview, mounts
on other pages/assemblies.



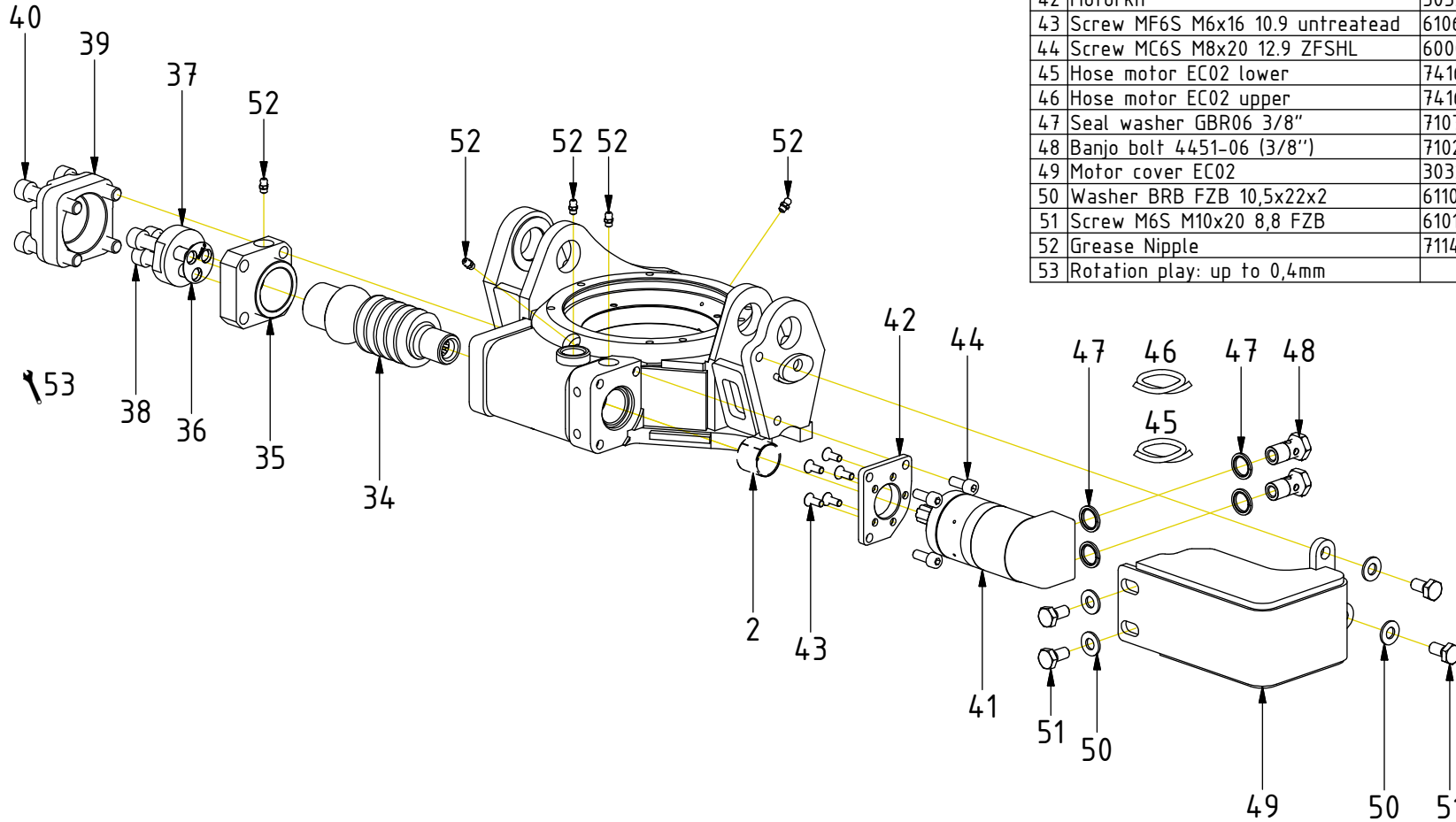
POS	DESCRIPTION	PART	QTY	COMMENTS
1	Rotator frame EC02	102484	1	(POS.2 incl.)
2	Bushing WB700 28/31x25	630004	1	
3	Punch serial no into rotator frame			
4	Wear washer	303292	1	
5	Screw MF6S M4x10 10.9 untreated	610605	4	
6	Wear ring	303334	1	
7	Slotted pin S5x20	640407	4	Must not exceed Wear ring surface
8	Guide belt EC02	710953	1	
9	Wiper seal (centre ring)	710951	1	
10	Centre ring	303290	1	
11	Shims kit Centre ring 0,5-0,6-0,7-0,8-1,0-1,5mm	1010168	1	
12	Worm wheel	303291	1	
13	Feather Key	650101	6	
14	Wiper seal (quick hitch)	710952	1	
15	Screw MC6S M12x80 12.9 ZFSL	6000148	10	Torque: 136Nm
16	Screw MC6S 6x55 12.9 untreated	610421	2	
17	Torque tighten rotator frame to hitch. Rotate to access all holes			
18	Break play: up to 0,3mm			
19	Cutting Ring Nut	710194	2	Assemble before valve block
20	Cutting Ring	710350	2	Assemble before valve block
21	Cutting ring connection	710343	2	Assemble before valve block
22	Valve block EC02	303557	1	Part of control system
23	Spring rod FRP 6x12	640410	1	Part of control system
24	Valve plate EC02 ss0 / ss5 / ss10 (DC2/SVAB)	1001212	1	Part of control system
25	Valve plate EC02 ss9 / ss3	303556	1	Part of control system
26	Valve plate EC02U	303444	1	Part of control system
27	Screw MF6S 5x10H 10.9 FZB	610602	4	
28	Spring rod FRP 3x12	640411	1	Part of control system
29	O-ring 6,1x1,6	710954	4	Part of control system
30	Swivel	303430	1	Part of control system
31	Washer NL 10mm	611041	4	
32	Screw MC6S 8x95 12.9 untreated	610446	4	Torque: 40Nm
33	Screw S6SS 6x12	611810	4	Loxal 55-02



POS in order of assembly

EC02 - Rotator frame

POS in order of assembly



POS	DESCRIPTION	PART	QTY	COMMENTS
2	Bushing WB700 28/31x25	630004	1	
34	Worm Screw	202898	1	
35	Screw bushing	405201	1	
36	Shims kit Worm screw 0,5-0,6-0,7-0,8-1,5mm	1030966	1	
37	Washer worm screw	405234	1	
38	Screw MC6S 12x60 12.9 ZFSHL	6000140	3	Torque: 136Nm
39	End lock	303307	1	
40	Screw MC6S M12x60 12.9 ZFSHL	6000140	4	Torque: 79Nm
41	Hydraulic motor Charlynn 50cc	720119	1	Replaces 720113 from M27444
42	Motor kit	303306	1	
43	Screw MF6S M6x16 10.9 untreated	610604	5	Torque: 14Nm. Loxeal 55-02
44	Screw MC6S M8x20 12.9 ZFSHL	6000157	3	Torque: 40Nm
45	Hose motor EC02 lower	741632	1	
46	Hose motor EC02 upper	741631	1	
47	Seal washer GBR06 3/8"	710703	4	
48	Banjo bolt 4451-06 (3/8")	710272	2	
49	Motor cover EC02	303286	1	
50	Washer BRB FZB 10,5x22x2	611006	4	
51	Screw M6S M10x20 8,8 FZB	610141	4	
52	Grease Nipple	711405	5	
53	Rotation play: up to 0,4mm			