

EC20 Main Components

Published: 2013-04-30

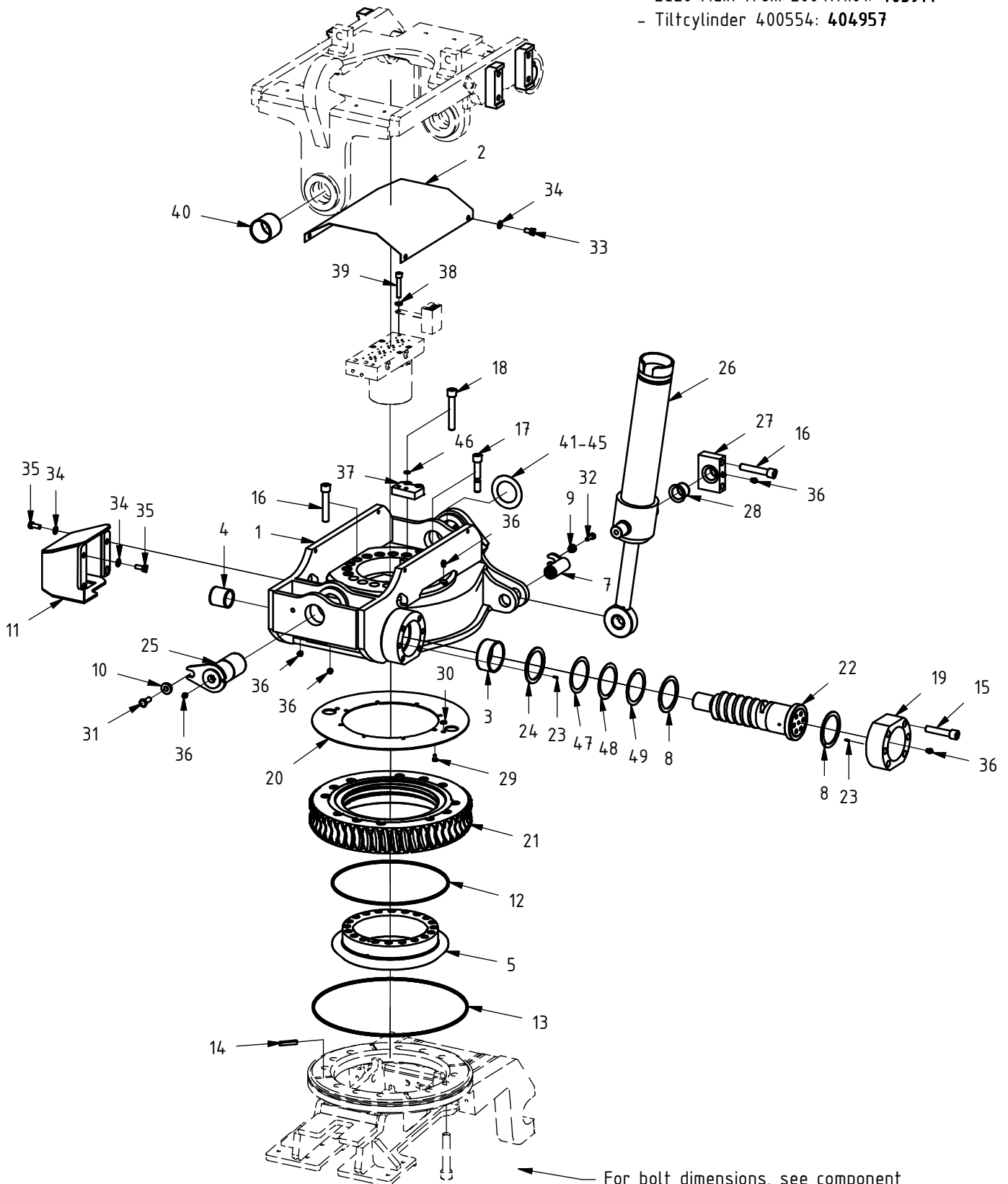
Drawing No: 1000975/B

2000.01.01 - 2004.11.07

(with some exceptions around breakpoint)

For component drawings of:

- Hydraulic system: **1000858**
- Electrical system: **403762**
- EC20 Main from 2004.11.01: **403914**
- Tiltcylinder 400554: **404957**



For bolt dimensions, see component drawing of specific quick attachment, or contact **engcon**

EC20 Main Components

Published: 2013-04-30				Drawing No: 1000975/B	
POS	DESCRIPTION	PART	QTY	COMMENTS	
1	EC20 Housing	100009	1	Replaced by 101277 from 04.11.01, new component drawing 403914	
2	Lid	300118	1		
3	Bushing 80/85x40	630103	1		
4	Bushing 45/50x50	630102	1		
5	Center ring 20	400292	1	Replaced by 300332 from 04.01.07	
6	Center ring 20	300332	1	Replacing 400292 from 04.01.07. Replaced by 302807 from 05.01.01	
7	Cylinder axle EC20	302853	2	Replaces 300033 from 051003	
8	Axial Washer	300031	2		
9	Spacer (small)	400127	2		
10	Spacer (big)	400128	2		
11	Motor Prof. EC20 & 30	100010	1		
12	O-ring	710908	1		
13	O-ring	710909	1		
14	Feather Key	650102	4		
15	Socket Head Screw 16 x 80	610528	6		
16	Socket Head Screw 16 x 90	610530	23		
17	Grease Bolt 10&20	400721	1		
18	Socket Head Screw 16 x 100	610532	2		
19	End Lock EC10,15,20	300032	1		
20	Wear Washer 20	400310	1		
21	Worm Gear	300863	1		
22	Worm Screw	300030	1		
23	Pin	650201	2		
24	Supportring	650301	1		
25	Tiltaxle 20	302830	2	Replaces 300036	
26	Tiltcylinder EC20 E.L	400554	2	Component drawing: 404957	
27	Yoke	300039K	4		
28	Bushing 35/39/50x35	630402	4		
29	Hex Head Screw 6 x 12	610108	8		
30	O-ring	710910	1		
31	Hex Head Screw 12 x 30	610164	2		
32	Hex Head Screw 8 x 25	610124	2		
33	Hex Head Screw 10 x 20	610141	4		
34	Flat Washer	611006	8		
35	Hex Head Screw 10 x 25	610142	4		
36	Grease Nipple	711403	11		
37	Attachment plate EC20	400201	1		
38	Split Lock Washer	611024	1		
39	Socket Head Screw 10 x 60	610460	1		
40	Bushing 60/65x60	630301	2		
41	Tiltaxle Shims	650501	-	0,5mm	
42	Tiltaxle Shims	650502	-	1mm	
43	Tiltaxle Shims	400854	-	3mm	
44	Tiltaxle Shims	400867	-	4mm	
45	Tiltaxle Shims	400868	-	5mm	
46	Split Lock Washer	611023	2		
47	Shims 80/100x0,1	650513	1	from 2004-02	
48	Shims 80/100x0,2	650514	1	from 2004-02	
49	Shims 80/100x0,3	650515	1	from 2004-02	