

EC20 Hydraulic System SS5

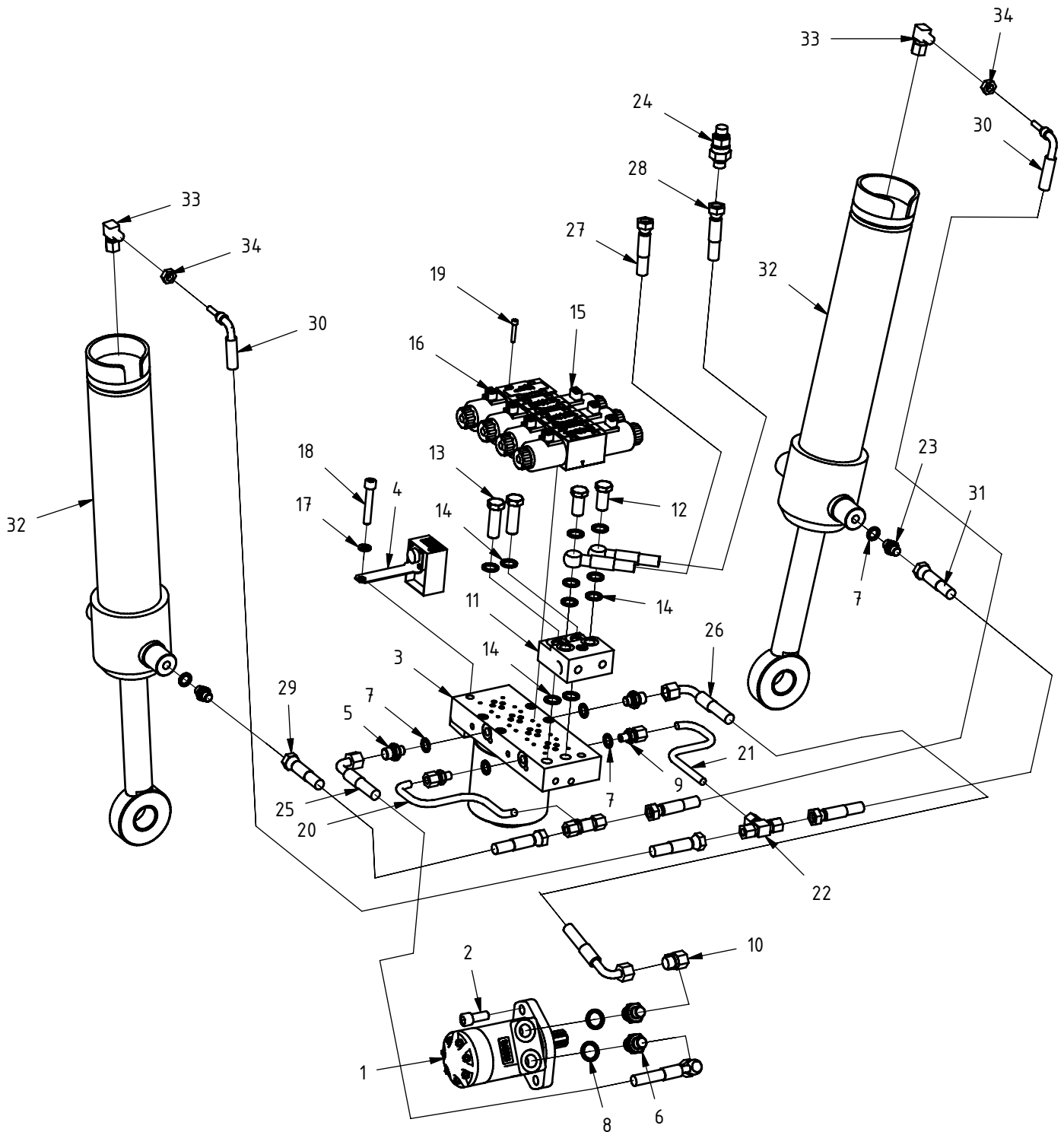
Published: 2007-05-08

Drawing No: 1000858/A

2000.01.01 - 2005.01.01

For component drawings of:

- EC20 Main (00.01-04.11): 1000975
- Hydraulic System (from 2005): 403728
- Swivel (complete): 403817
- Tiltcylinder 400554: 404957



EC20 Hydraulic System SS5

Published: 2007-05-08

Drawing No: 1000858/A

POS	DESCRIPTION	PART	QTY	COMMENTS
1	Motor CL159	720101	1	CL159 101-3094-009 - Replaced by 720108 from 03.01.10
	Motor CL159cc DD	720108	1	Replaced by 720111 from 05.10.25 (see component drawing 403728)
2	Socket Head Screw 12 x 30	610474	2	12.9 Untreated ISO 4762
3	Swivel (Complete)	200013K	1	4-channel
4	Electronic box	300807	1	SS5
5	Adapter	710118	2	132-04-06
6	Adapter	710122	2	132-06-08
7	Tredowasher	710702	6	GBR-04
8	Tredowasher	710704	2	GBR-08
9	Adapter	710343	2	
10	Adapter 90°	710216	1	704-06
11	Valve Block	200067	1	Replaced by 200185K from 00.05.31
	Valve Block	200185K	1	Replaced by 201424K from 04.08.09
	Valve Block	201424K	1	
12	Banjo bolt	710272	2	4916-06
13	Banjo bolt	710273	2	4918-06
14	Tredowasher	710703	10	GBR-06
15	Directional Valve	730103	3	24V bidirectional
16	Directional Valve	730104	1	24V lock
17	Split Lock Washer	611024	2	10,2x18,1x2,2
18	Socket Head Screw 10 x 60	610460	2	12.9 Untreated ISO 4762
19	Socket Head Screw 5 x 30	610403	16	12.9 Untreated ISO 4762
20	Tilting Tube	301705	1	
21	Tilting Tube	301704	1	
22	Adapter	710323	2	
23	Adapter	710104	2	132-04-04
24	One-way Valve	730212	1	NRSM3/8
25	Motor hose	740207	1	
26	Motor hose	740208	1	
27	Hose	740405	1	
28	Hose	740406	1	
29	Tilt hose short	740204	1	
30	Tilt hose long	740213	2	
31	Tilt hose short	740203	1	
32	Tiltcylinder EC20 E.L	400554	2	Component drawing: 404957
33	Coupling	710363	2	WE-10-LR
34	Nut	710250	2	1275-04